



6500(S)E

REFLECTED BEAM SMOKE DETECTOR

INSTALLATION AND MAINTENANCE INSTRUCTIONS



GENERAL

The model 6500E is an addressable long range projected beam smoke detector designed to provide open area protection. It consists of a combined transmitter/receiver unit and a reflector. Smoke entering the area between the two components causes a reduction in the signal returned to the receiver. When the obscuration reaches the alarm threshold, selected at the transmitter/receiver unit, the detector generates an alarm signal. Complete blockage of the beam causes a fault signal. Slow changes in obscuration due to a build up of dirt or dust on the lens of the detector are compensated for by a micro-controller that continuously monitors the signal strength and periodically updates the alarm and fault thresholds. When the self-compensation circuit reaches its limit, the detector generates a fault signal, indicating the need for service. After local testing is complete, the yellow LED will blink a pattern to indicate the level of drift compensation employed during the test (see Blinks Output by Yellow LED table at back of manual).

The model 6500SE includes an integral servo controlled calibrated test filter, which allows automatic remote alarm testing.

SPECIFICATIONS

General

Range: 10 to 70m
70 to 100m using optional accessory 6500-LRK/BEAMLRK

Sensitivity: **EN54-12: 2015 Levels**
Level 1 = 25% Obscuration (1.25dB)
Level 2 = 30% Obscuration (1.55dB)
Level 3 = 40% Obscuration (2.22dB)

Non EN54-12: 2015 Levels
Level 4 = 50% Obscuration (3.01dB)
Level 5 = 30% to 50% Adjusting (Acclimate Level 1)
Level 6 = 40% to 50% Adjusting (Acclimate Level 2)

Maximum angular misalignment Detector $\pm 0.5^\circ$ Reflector $\pm 10^\circ$

Environmental

Temperature: -30°C to 55°C
Humidity: 10% to 95% Relative Humidity (Non-condensing)

Mechanical

Dimensions (Without Faceplate): 229mm x 178mm x 84mm
Dimensions (With Faceplate): 253mm x 193mm x 84mm
Wiring: 0.3 mm^2 to 3.2 mm^2
Adjustment Angle: $\pm 10^\circ$ Horizontal and Vertical

Electrical

Voltage: 15 to 32 VDC (15-28.5V when using isolators)
Avg. Standby Current: 2mA @ 24VDC; 1 comm. every 5sec, LED flashing
Advanced Protocol Mode: Read 16 sec. LED blink 8 sec
Max. Alarm Current (LED on): 8.5mA
Max. Fault Current (LED on): 2.5mA
Max. Alignment Current: 20mA
External Supply (for 6500SE auto -alarm test only) Voltage: 15 to 32 VDC Current: 0.5A Max.
Remote Output (alarm): Voltage: 15 to 32VDC Current: 6mA to 15mA. Limited by 2.2K Ω resistor

Isolator

Maximum rated continuous current with the isolator closed (Ic max): 1A
Maximum rated isolator switching current (under short circuit) (Is max): 1A
Maximum leakage current (IL max) with the isolator open (isolated state): 15mA
Maximum series impedance with the isolator closed (Zc max): 200 m ohm at 15Vdc

PARTS LIST

Description	Quantity
Transmitter/Receiver Unit	1
Paintable Trim Ring	1
Reflector (REFL6500)	1
Plug-in Terminal Blocks	3
Isolator Shunts	2
Orange Alignment Assistance Label	1
Instruction Manual	1

APPROVED ACCESSORIES

6500-LRK/BEAMLRK

Long Range Kit comprising three additional 20cm x 20cm reflectors, which may be mounted in a square with the supplied reflector, permitting the detector to be used for ranges from 70m to 100m.

6500-MMK/BEAMMMK

Multi-Mounting Kit allowing the 6500E to be mounted to ceilings, or to walls where the detector and reflector cannot be mounted within 10° of one another. One kit mounts either the transmitter/receiver unit or reflector. If the transmitter/receiver is mounted on the MMK, then the 6500-SMK/BEAMSMK must be used. Note that only a single 20cm x 20cm reflector can be mounted using the MMK: The 6500-LRK/BEAMLRK is not compatible with the MMK.

6500-SMK/BEAMSMK

Surface Mounting Kit for the transmitter receiver (also used in combination with the 6500-MMK/BEAMMMK) to give an additional 43mm depth to assist surface mounting and to permit side entry cabling.

RTS151KEY

Remote test and annunciator accessory that enables the detector to be tested remotely, providing test and reset functions, it has a Red LED to indicate alarm conditions (Note: Back-box, if required, needs to be ordered separately - part number WM2348).

DETECTOR MOUNTING

Location

The 6500E must be located in accordance with local standards and guidelines, for example BS5839 part 1. For general information, refer to the application guide for projected beam smoke detectors available on request from your supplier.

Mounting Position

Beam detectors require a very stable mounting surface for proper operation. A surface that moves, shifts, vibrates, or warps over time may cause false alarm or fault conditions. Initial selection of a proper mounting surface will eliminate nuisance alarms and fault signals. Mount the detector on a stable mounting surface such as brick, concrete, a sturdy load-bearing wall, support column, structural beam, or other surface that is not expected to experience vibration or movement over time. DO NOT MOUNT the beam detector on corrugated metal walls, sheet metal walls, external building sheathing, external siding, suspended ceilings, steel web trusses, rafters, non-structural beam, joists, or other such surfaces. The reflector has a much greater tolerance to movement than the transmitter/receiver, hence in cases where only one stable mounting surface as defined above can be used, the transmitter/receiver unit should be mounted to the stable surface. See specifications for maximum permissible angular misalignment; movement outside these limits may cause nuisance alarms and faults.

Mounting Considerations

- There must be a permanent clear line of vision between the detector and the reflector.
- Reflective objects should be a minimum of 380mm from the line of sight between the detector and reflector to avoid compromise of the protected area by reflected light.
- Direct sunlight or strong lights into the transmitter/receiver unit should be avoided. There should be a minimum of 10° between the paths of the light source and the detector beam.
- Operation of the detector through panes of glass should be avoided if possible. If it is necessary to pass through glass, the angle between the beam and glass should be set a minimum of 10° off perpendicular, and operation through multiple panes should be avoided.

MOUNTING

The transmitter/receiver unit may be mounted directly to the wall, with rear cable entry. The detector base has four primary mounting holes, one in each corner of the base. All four holes must be used to provide secure mounting. In order to mount the detector to the wall, the outer cover must be removed after unscrewing it's four retaining screws.

ENGLISH

ITALIANO

ESPAÑOL

DEUTSCH

Please refer to the relevant kit instructions if the transmitter/receiver is to be mounted onto the 6500-SMK/BEAMSMK or 6500-MMK/BEAMMMK allowing more flexibility for cable entry.

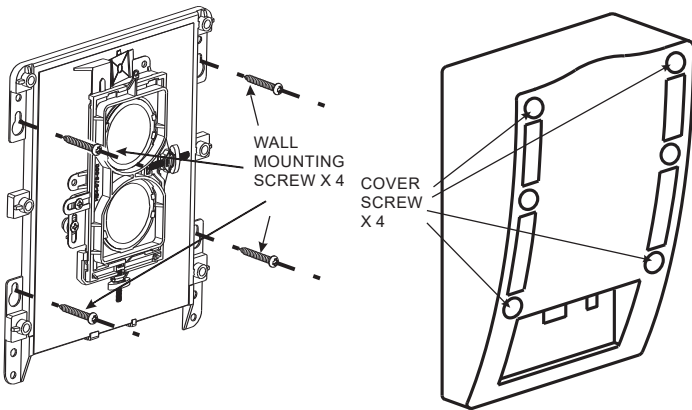


Figure 1: Transmitter/Receiver Wall Mounting

The reflector is mounted directly to the wall using all four of its mounting holes, one in each corner. The reflector must be mounted such that the plane of the reflector is perpendicular to the optical line of sight to the transmitter/receiver unit. The maximum tolerance for non-perpendicular mounting locations is 10°. If this tolerance is not possible, then the 6500-MMK/BEAMMMK should be used, see 6500-MMK/BEAMMMK instructions for mounting details.

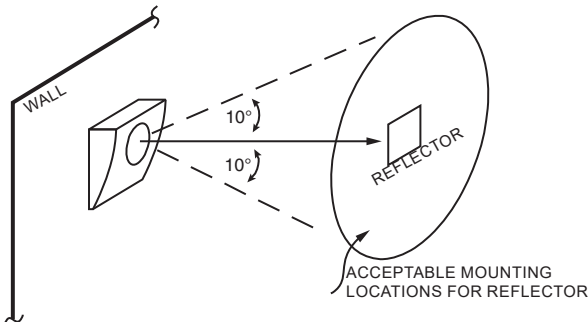


Figure 2a: Reflector Mounting Guidelines

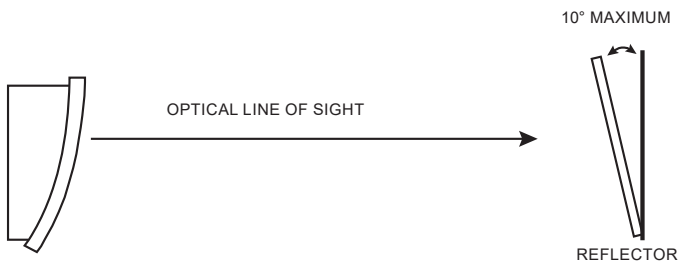


Figure 2b: Reflector Mounting Guidelines

WIRING

Note: All wiring must be installed in accordance with local requirements.

Warning: Before working on the system, notify the proper authorities that the system is undergoing maintenance and will be temporarily out of service.

Wiring connections are made to pluggable terminal blocks, which can accept wire sizes from 0.3 mm² to 3.2 mm². For best results screened cable should be used. Refer to the control panel instructions for cable type limitations.

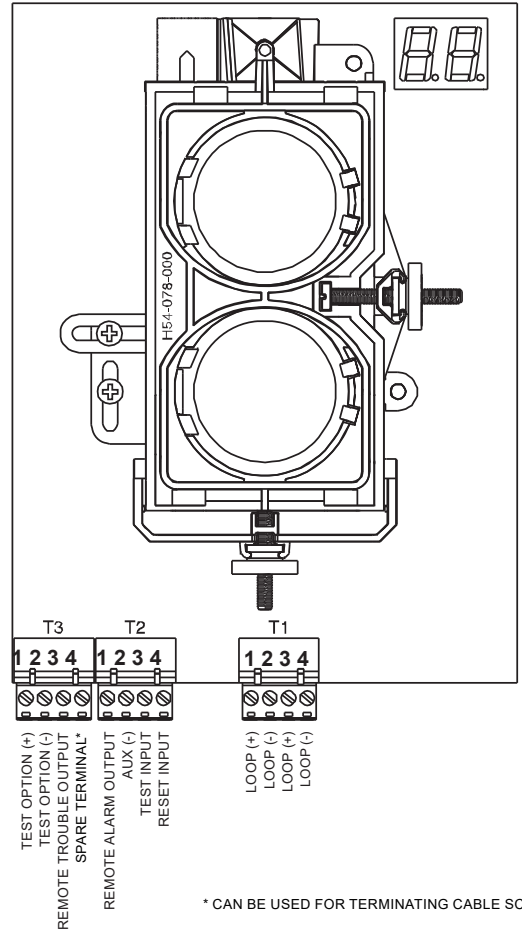
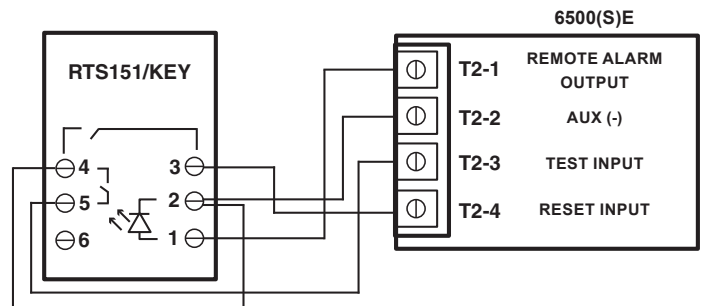


Figure 3: Detector Terminal Connections



SEE RTS151KEY INSTALLATION INSTRUCTIONS FOR ELECTRICAL RATINGS OF RTS151KEY

Figure 4: RTS151KEY Wiring

Signal Name	Terminal	Normal State	Active State	Comment
Reset Input to	T2-4	High impedance	0V	Momentarily connect Aux- to operate
Test Input to	T2-3	High impedance	0V	Momentarily connect Aux- to operate
Aux-	T2-2	0V	-	Internally connected to Power -ve
Remote Alarm Out	T2-1	High impedance	+24V	Via 2.2k ohms current limit resistor
Remote Fault Out	T3-3	High impedance	+24V	Via 2.2k ohms current limit resistor

Table 0: Use of Input – Output Signals.

WARNING

All INPUT and OUTPUT signal terminals are active LOW (0V) Do not connect any other voltage to these terminals or serious damage to the product may result.

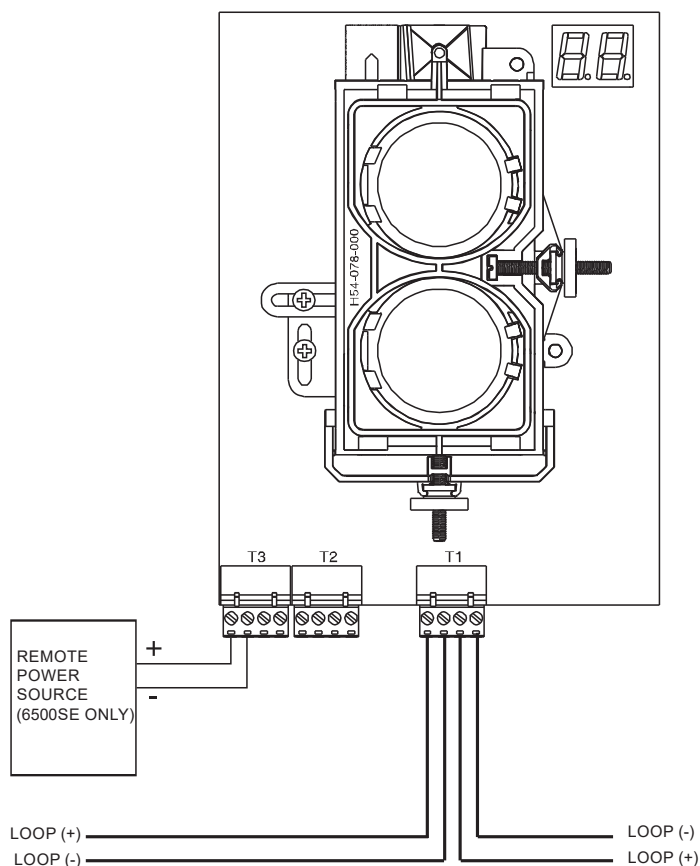


Figure 5: Wiring Diagram

ADDRESS SELECTION

Set the sensor address (see Figure 6) by using a flat blade screwdriver to turn the two rotary switches to the left of the main optical assembly, selecting the desired number between 01 and 159 (Note: The number of addresses available will be dependent on panel capability, check the panel documentation for information on this). A breakaway stop on the **Tens** rotary switch needs to be removed for panels capable of handling more than 99 addresses.

SHORT CIRCUIT ISOLATION

The detector includes on-board short circuit isolation. In cases where it is not desired the isolator can be bypassed using the two shunts on the circuit board. See Figure 6 for jumper locations. The detector is supplied with the jumpers fitted and the isolators bypassed.

ALIGNMENT PROCEDURE

Warning: When power is initially applied to the detector, before the alignment procedure has been completed, it may enter fault or alarm. To prevent unwanted alarms, disable the zone prior to applying power.

The alignment of the 6500E is divided into four steps: Coarse alignment, fine adjustment, final gain adjustment, and final verification. It is necessary for all four steps to be executed properly to ensure proper alignment of the product.

Pre-Alignment Checklist

- Ensure that both the detector and reflector are mounted securely to stable surfaces.
- Ensure that all wiring is correct, and that terminal blocks are fully seated into their receptacles on the detector.
- Complete any wiring dressing to minimize movement to the detector once the alignment procedure is completed.
- Ensure that the appropriate reflectors are used for the installed distance.
- Ensure that the line of sight between the detector and reflector is clear and that reflective objects are a minimum of 380mm from the line of sight.
- Ensure that both the detector and reflector are mounted within their operational parameters for off axis angles.

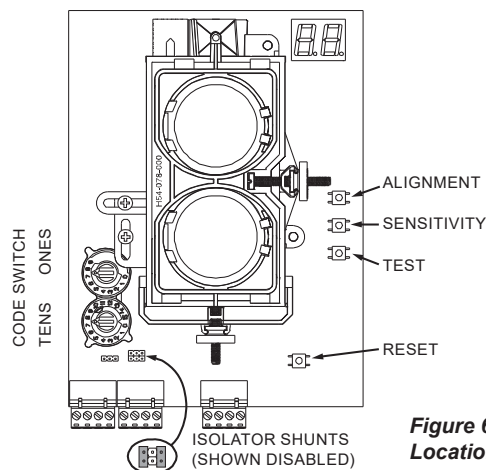


Figure 6: Switch Locations

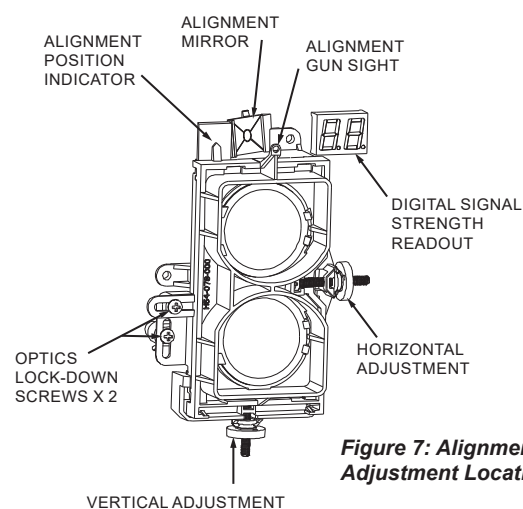


Figure 7: Alignment Adjustment Locations

- Disable the zone or system to prevent unwanted alarms before applying power.
- Ensure power to the detector is "ON".
- Normally, due to the current drain during alignment, only one unit on a loop should be in alignment mode at any time

Step 1. Coarse Alignment

See figures 6 and 7.

1. Ensure that both of the optics lock-down screws are loosened so that the optics will move freely.
2. Looking through the alignment mirror at both the alignment gun sight and reflector simultaneously, locate the position of the reflector in the optical sight. Note that initially this step will require some practice. An orange sticky label is supplied, which may be temporarily mounted next to the reflector to aid initial location if the distance between the reflector and the detector is large.
3. Once the reflector has been located, begin to adjust both the horizontal and vertical alignment knobs so that the reflector becomes centred in the alignment mirror. Caution: If the optics are incorrectly aligned in this step, it will not be possible to proceed with the next step.

Note that the coarse alignment procedure will not give accurate alignment. It is sufficient only as a starting point for the next step. On completion of the fine adjustment procedure, the alignment gun sight may not appear to be centred on the reflector.

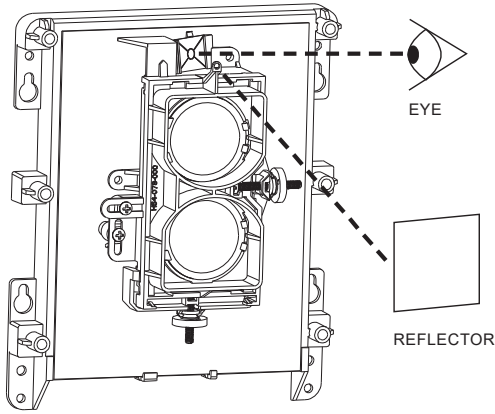


Figure 8: Coarse Alignment Procedure

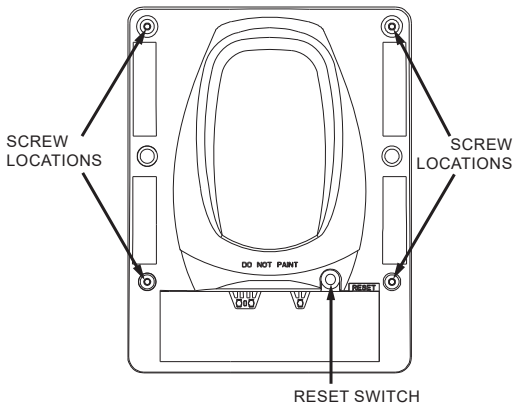


Figure 9: Housing Screw Locations

Step 2. Fine Adjustment

See figures 6 to 8.

1. Ensure that no objects are in the line of sight between the detector and the reflector.
2. Depress the Alignment switch once. Both the digital display and the yellow LED should turn on indicating that alignment mode has been entered. The display should begin reading “- -” signifying an electronic gain adjustment. After a few moments the display will indicate a numeric value near 20.

Note: If the display reads “Lo” then the detector is not receiving enough light from the reflector. Go back and repeat the course alignment step and verify that the proper number of reflectors is used for the installed distance. The display will continue to read “Lo” until the detector receives enough light from the reflector to continue with the fine adjustment step.

Note: In alignment mode (indicated by the yellow LED and the numeric display) the sensitivity select and test switches are disabled.

3. Once the display shows a number, begin adjusting the horizontal and vertical alignment knobs one at a time to increase signal level on the display. Continue adjusting each axis one at a time going back and forth between them until a peak value is indicated. If a value of 90 is achieved, the detector will reduce its electronic gain. This will be indicated by a “- -” reading on the display. When this happens halt any further adjustment until the display again reads a numeric value. This process may occur more than once during the fine adjustment step.
4. Once satisfied that it is not possible to achieve a higher reading on the display depress the alignment switch to complete the fine adjustment step. The digital display readout will turn “OFF” and the yellow LED will remain “ON”.
5. Ensure that both of the optics lock-down screws are re-tightened.

Note: It may not be possible to achieve a figure close to 90 on the display during the last adjustment iteration. Each time the figure 90 is reached the gain is reduced, making it more difficult to achieve high values. Any number is acceptable, provided it is the highest figure that can be achieved after the final gain adjustment.

At this time it is sensible to set the sensitivity of the detector using the sensitivity switch and digital display. See SENSITIVITY SELECTION for further details.

Step 3. Final Gain Adjustment

See figure 9.

In this step, the detector electronically adjusts its internal gain one final time. It is necessary to complete this step with the outer housing installed since the housing will change the amount of light received from the reflector.

1. Install the outer housing of the detector. The housing is installed by tightening the four captive screws, one in each corner of the housing.
Note: The housing contains a gasket seal that protects the detector circuitry from corrosion and moisture. To ensure that this gasket performs correctly, it is necessary to tighten all four of the screws holding the outer housing in place evenly.
2. Remove the protective film from the front surface of the outer housing. Note that the outer housing may require cleaning if any residue remains. Use only a soft, damp cloth: Do not use any solvents.
3. To initiate the final electronic gain adjustment, the reset switch must be depressed using a small screwdriver or similar tool. Once depressed the yellow LED will begin to blink. On completion, the yellow LED will stop blinking and the green LED will begin blinking (dependent on panel operation), indicating that the gain adjustment was successful.
Note: Use caution not to block the line of sight between the detector and reflector in this step.
4. Install the outer aesthetic ring by snapping it onto the outer housing.
Note: If the outer aesthetic ring has been painted ensure that the paint is completely dry before proceeding with this step.

Step 4. Final Verification

This step is required to ensure the detector has been set up correctly and will detect smoke at the proper sensitivity level.

1. With the detector functioning (dependent on the operation of the control panel, this may be indicated by the green LED blinking), completely block the reflector with a non-reflective opaque material. After about 30 seconds, the detector should enter either the fault or alarm condition. If the detector does not enter the fault or alarm condition, there is a problem with the installation.
2. Complete a sensitivity test of the detector as described in SENSITIVITY TESTING below.

SENSITIVITY SELECTION

The sensitivity of the detector can be set only when the housing is removed and the detector is not in the fine adjustment step of the alignment mode. To enter the selection mode, press the sensitivity button once (see figure 6). The digital display will illuminate and read the current sensitivity setting in percent obscuration. Press the sensitivity button again to rotate to the next setting. Once the required setting is achieved (See table 1), the detector will exit the sensitivity selection mode if no further switch presses occur.

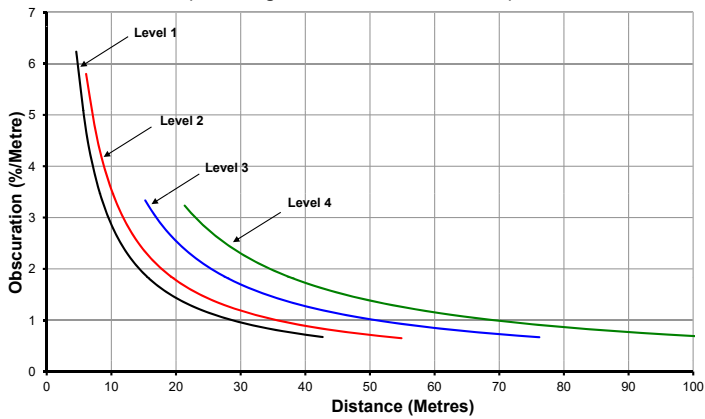
In addition to the four standard sensitivity selections the detector has two Acclimate settings. When either of these settings is chosen the detector will automatically adjust its sensitivity using advanced software algorithms to select the optimum sensitivity for the environment. The sensitivity will be continuously adjusted within the ranges specified in the Chart 1.

Sensitivity Setting	% Obscuration	Display Reading
Level 1	25	25
Level 2	30	30
Level 3	40	40
Level 4	50	50
Acclimate Level 1	30 to 50	A1
Acclimate Level 2	40 to 50	A2

Table 1: Sensitivity Settings

NOTE: Only Levels 1 - 3 are approved to EN54-12: 2015

**GRAPH 1: SENSITIVITY (%M vs DISTANCE)
(Assuming Uniform Smoke Distribution)**



Percentage obscuration can be converted to percent per metre assuming uniform smoke density for the entire length of the beam. Chart 1 converts obscuration to percent per metre for all acceptable sensitivity settings.

SENSITIVITY TESTING

NOTES:

1. Before testing, notify the proper authorities that the smoke detector system is undergoing maintenance, and therefore the system will be temporarily out of service. Disable the zone or system undergoing maintenance to prevent unwanted alarms.

Detectors must be tested after installation and following periodic maintenance. The sensitivity of the 6500E may be tested as follows:

Calibrated Test Filter Method

The sensitivity of the detector can be tested using an opaque material (such as this manual) to cover the reflector by an amount indicated by the graduated scale on the reflector, see Figure 10.

1. Verify the sensitivity setting of the detector in % obscuration. See the Sensitivity Selection section of this manual for sensitivity determination if sensitivity is unknown.
2. Place the blocking material over the reflector, lining it up with the graduated marks that are 10 less than the detector setting in % obscuration. The detector should not alarm or fault. Keep the material in place for a minimum of 1 minute.
3. Place the blocking material over the reflector lining it up with the graduated marks that are 10 more than the detector setting in % obscuration. The detector should enter alarm within 1 minute.
4. The detector can be reset with the reset switch on the detector unit or remote reset.

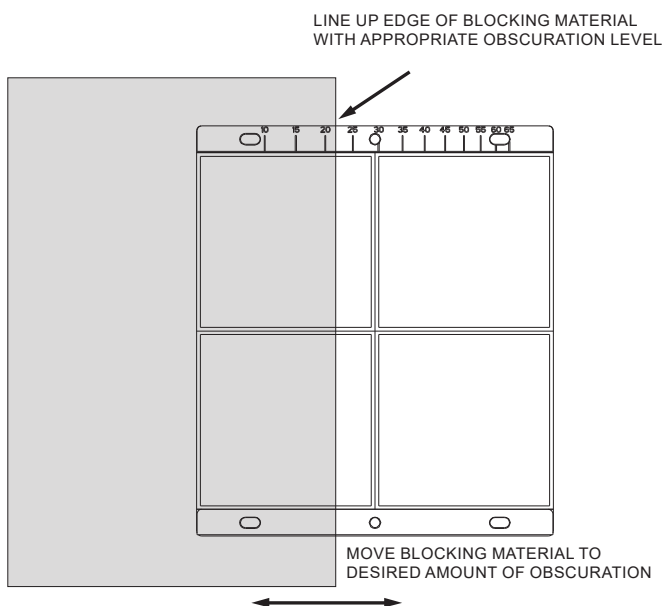


Figure 10. Reflector Test Card Procedure

Test Failure Checks

If the detector fails either the sensitivity or functional test, several steps should be taken to determine if the detector is faulty or simply needs to be re-adjusted, before returning the unit. These steps include:

1. Verify all wiring connections and appropriate power is applied to the detector.
2. Verify that the optical line of sight is free from obstructions or any other light sources including reflective objects such as gloss painted surfaces.
It is imperative that at least 90% of the received light is from the reflector alone, otherwise sensitivity cannot be assured.
3. Apply the maintenance procedure in this manual. Repeat the test procedure. If the detector still fails the test procedure proceed with step 4.
4. Repeat the alignment procedure in this manual. If the alignment procedure is successful repeat the test procedure. If the detector still fails the test it should be returned for repair.

6500E BEAM DETECTOR: SET-UP PROCEDURE SUMMARY

Beam Alignment – ensure power is on

Course Alignment

- Carry out using target eyepiece
- Adjust using horizontal and vertical thumb screws

Fine Adjustment

- Initiate using **Alignment Switch**
- Continue adjustment using horizontal and vertical thumb screws
- When the adjustment is complete press the **Alignment Switch**

Sensitivity Setting

Select using **Sensitivity Switch**

Final Gain Adjustment – ensure front cover is fitted

- Initiate using the **Reset Switch**
- Completed when the green LED blinks

Final Verification

Use obscuration filters or reflector test card to initiate **Fire** and **Fault** signals

MAINTENANCE

Note: Before cleaning the detector, notify the proper authorities that the smoke detector system is undergoing maintenance, and therefore the system will be temporarily out of service. Disable the zone or system undergoing maintenance to prevent unwanted alarms.

1. Carefully clean the outer housing lens face. A damp soft cloth with a mild soap may be used. Avoid products with solvents or ammonia.
2. Carefully clean the reflector. A damp soft cloth with a mild soap may be used. Avoid products with solvents or ammonia.

Functional Testing

For periodic maintenance functional testing, the detector can either be tested using the Calibrated Test Filter method, by using the local test switch on the transmitter/receiver unit or remotely using the Remote Test Station.

The Remote Test Station, RTS151KEY, can be used with the 6500E beam smoke detector. The wiring diagram to connect the 6500(S)E to the key is displayed on page 2 of this manual.

The 6500SE is equipped with an integral sensitivity test feature that consists of a calibrated test filter attached to a servomotor inside the detector optics. When a test is initiated using the remote test station or local test switch the test filter is moved in the pathway of the light beam. If the correct level of signal reduction is received the detector will enter alarm. If the proper level of signal reduction was not achieved, indicating that the sensitivity of the detector is out of tolerance, the detector will enter the fault condition.

Note: This test should satisfy most local periodic maintenance and testing requirements.

If the detector fails this test refer to the Test Failure Checks described above

PAINTING

The outer aesthetic ring may be painted using enamel or acrylic paints either by brush or spray.


Note: Never paint the flat lens surface of the outer housing.

Modes	Red See note below	Yellow	Green See note below	Remote Annunciator	Dual Digital Display	Initiating Means	Comments & Troubleshooting Tips
Normal	Off	Off	Blink	Blink	Off	Successful completion of initialisation or detector reset	
Alignment	Off	On	Blink	Blink	On, Relative amount of signal 0 – 99 or “-” if automatic gain resetting or “Lo” if signal is too low	Alignment switch	
Alarm	On	Off	Off	On	Off	Smoke, test filter, RTS151KEY, test stations	
Fault: Drift Comp limit reached	Off	3 Quick Blinks	Blink	Blink	Off	Long term drift reference out of range	- Clean detector and reflector
Fault: Signal over range	Off	2 Quick Blinks	Blink	Blink	Off	Increase of reflected signal	- Inspect line of sight between detector and reflector for reflective objects in beam path - Sunlight into reflector
Fault: Beam blockage response	Off	4 Quick Blinks	Blink	Blink	Off	Beam Blockage	- Remove blockage - Faulty Unit
Initialisation: Power on	Off	Blink until complete	Blink	Blink	Off	Apply power from discharged state	
Initialisation: Alignment exit	Off	Blink until complete	Blink	Blink	Off	Depressing RESET switch after alignment	
Local Test: Pass result	On	Blinks out amount of drift used	Off	On	Off	Panel or RTS151KEY	Remains in alarm until reset
Local Test: Fail result	Off	On until reset or timeout	Blink	Blink	Off	Panel or RTS151KEY	Remains in fault until reset or timeout

Note: The operation of the green and Red LEDs is dependent on control panel programming. For example the green LED may not be programmed to blink in “Normal” mode.

Blinks Output by Yellow LED once the Device has Passed a Local Test

Percent the detector has drifted	Number of blinks output
<10%	None
<20%	1
<30%	2
<40%	3
<50%	4
<60%	5
<70%	6
<80%	7
<90%	8
<100%	9

 1293 20 DOP-LBP024 EN54-12: 2015, EN54-17: 2005
6500(S)E Optical Beam Smoke Detector Intended for use in fire detection and fire alarm systems in and around buildings
Honeywell Products and Solutions Sàrl (Trading as System Sensor Europe) Zone d'activités La Pièce 16 CH-1180 ROLLE, Switzerland

DESCRIZIONE DELL'APPARECCHIATURA

Il modello 6500E è un rivelatore di fumo analogico a raggio ottico a lunga distanza progettato per la protezione di aree aperte. Esso consiste di un'unità trasmittente / ricevente e di un pannello riflettore. La presenza di fumo nell'area tra i due componenti causa un'attenuazione del segnale che ritorna al ricevitore. Quando l'attenuazione raggiunge la soglia di allarme (selezionabile sull'unità trasmittente/ricevente) il rivelatore genera un segnale di allarme. Il completo oscuramento del raggio ottico causa un segnale di guasto. L'attenuazione del raggio nel lungo periodo dovuta all'incremento dello sporco e della polvere sulla lente del rivelatore è compensata internamente da un microprocessore che controlla l'ampiezza del segnale e aggiorna periodicamente le soglie di allarme e di guasto. Quando la compensazione raggiunge il proprio limite il rivelatore genera un segnale di guasto e indica la necessità di manutenzione. Al completamento del test locale, il LED giallo lampeggerà in modo da indicare il livello di compensazione raggiunto (vedere tabella codifica lampeggio in fondo alle istruzioni).

Il modello 6500ES include un filtro integrato calibrato e servoassistito che permette la generazione in automatico di un allarme remoto.

SPECIFICHE TECNICHE

Generali:

Distanza d'uso da 10 a 70 m
da 70 a 100 m utilizzando l'accessorio 6500-LRK/BEAMLRK

Sensibilità Livelli approvati EN54-12: 2015

Livello 1: 25% di oscuramento (1,25dB)

Livello 2: 30% di oscuramento (1,55dB)

Livello 3: 40% di oscuramento (2,22dB)

Livelli non approvati EN54-12: 2015

Livello 4: 50% di oscuramento (3,01dB)

Livello 5 (variabile 1): dal 30% al 50% variabile in funzione dell'ambiente

Livello 6 (variabile 2): dal 40% al 50% variabile in funzione dell'ambiente

Disallineamento Rivelatore: $\pm 0,5^\circ$ massimo Riflettore: $\pm 10^\circ$ massimo

Ambientali:

Temperatura da -30°C a $+55^\circ\text{C}$
Umidità relativa dal 10% al 95% (senza condensa)

Meccaniche:

Dimensioni (senza copertura): 229mm x 178mm x 84mm
Dimensioni (con copertura): 253mm x 193mm x 84mm
Dimensioni cavi da 0,3mm² a 3,2mm²
Regolazione $\pm 10^\circ$ in orizzontale e verticale

Elettriche:

Alimentazione: da 15VDC a 32VDC (da 15VDC a 28,5VDC usando gli isolatori)

Corrente di stand-by: 2 mA @ 24VDC, 1 messaggio ogni 5s con lampeggio (AP - Read Presence ogni 16s con lampeggio ogni 8s)

Corrente di allarme (LED acceso) 8,5mA

Corrente di guasto (LED acceso) 2,5mA

Allineamento, corrente massima 20mA

Alimentazione esterna Tensione: da 15VDC a 32VDC

(solo per 6500ES auto-alarm test) Corrente: 0,5A massima

Uscita remota (in allarme) Tensione: da 15VDC a 32VDC

Corrente: da 6mA a 15mA, limitata da una resistenza da 2,2kW

Isolatori

Massima corrente continua stimata con isolatori chiusi (Ic max): 1A

Massima corrente di attivazione stimata in caso di corto circuito (Is max): 1A

Massima corrente di perdita con isolatori aperti (IL max): 15mA

Massima impedenza serie con isolatori chiusi (Zc max): 200 m ohm at 15Vdc

COMPONENTI KIT

Unità trasmittente / ricevente	1
Calotta verniciabile	1
Riflettore (REFL6500)	1
Blocco terminali plug-in	3
Manuale istruzioni	1
Etichetta arancione per facilitare l'allineamento	1
Isolatori shunt	2

ACCESSORI APPROVATI

6500-LRK/BEAMLRK

"Long Range Kit": comprende tre riflettori addizionali da 20cm x 20cm che possono essere montati insieme al riflettore fornito normalmente in modo da poter usare il rivelatore con distanze comprese tra 70m e 100m.

6500-MMK/BEAMMMK

"Multi Mounting Kit". Il kit permette il montaggio del rivelatore 6500E su soffitti o pareti dove l'inclinazione massima di 10° non può essere rispettata. Il kit è utilizzato per montare il rivelatore o il riflettore. Inoltre, se il rivelatore è montato con il kit 6500-MMK/BEAMMMK, deve essere utilizzato anche il 6500-SMK/BEAMSMK. Per quanto riguarda il riflettore, con il kit MMK può essere montato un solo riflettore da 20cm x 20cm: il kit 6500-LRK/BEAMLRK NON È COMPATIBILE con il kit MMK.

6500-SMK/BEAMSMK

"Surface Mounting Kit". Il kit è un distanziatore che può essere usato solamente sul rivelatore e può essere utilizzato anche in combinazione con il kit 6500-MMK/BEAMMMK. Il kit fornisce uno spazio supplementare di 43mm per facilitare il montaggio superficiale e per l'entrata laterale dei cavi di collegamento.

RTS151KEY

Accessorio per il test di allarme remoto e annunciatore remoto. Consente di testare il rivelatore a distanza, è provvisto di funzione test e reset. Un LED rosso indica l'allarme. Nota: la scatola di montaggio, se richiesta, può essere ordinata separatamente - codice WM2348.

MONTAGGIO DEL RIVELATORE

Sito

Il sistema 6500E deve essere montato in accordo con le linee guida e con le regolamentazioni locali. Per informazioni generali, fare riferimento alla guida "Guide for Projected Beam Smoke Detectors" disponibile a richiesta presso il Vostro fornitore.

Posizione di montaggio

I rivelatori a raggio ottico richiedono una superficie di montaggio molto stabile per operare correttamente. Una superficie che si muove, si sposta, vibra o si deforma può causare falsi allarmi o condizioni di guasto. La scelta di un'ideale superficie dove montare il rivelatore previene falsi allarmi e segnalazioni di guasto. Si consiglia pertanto di montare il rivelatore su un supporto come mattoni, calcestruzzo, colonne portanti o altre strutture che non siano soggette a movimento o vibrazione nel tempo. NON MONTARE il rivelatore su pareti metalliche, rivestimenti esterni, binari di scorrimento, controsoffitti, capriate metalliche, travetti, travi portanti o altre strutture simili. Il riflettore ha una tolleranza maggiore del rivelatore ai movimenti, di conseguenza se solo una delle due superfici risulta stabile, su questa deve essere montato il rivelatore. Verificare le specifiche tecniche per il massimo angolo di movimento oltre il quale si possono avere falsi allarmi o segnalazioni di guasto.

Considerazioni

- Il raggio trasmesso deve essere permanentemente libero di raggiungere il riflettore.
- Oggetti riflettenti devono essere posti ad almeno 380mm dal riflettore in maniera da evitare riflessioni indesiderate e compromettere la sicurezza.
- Evitare che luce solare diretta o forti fonti di luce raggiungano direttamente la lente del rivelatore. Ci dovrebbe essere un minimo di 10° tra l'angolo del raggio del rivelatore e la sorgente di luce.
- Se possibile, evitare di frapporre pannelli di vetro nel percorso del raggio. Nel caso non fosse possibile, rispettare un angolo minimo di 10° tra il raggio e la superficie del vetro. Evitare di frapporre pannelli multipli.

MONTAGGIO

Il rivelatore può essere montato direttamente a parete, con l'entrata posteriore dei cavi. La base del rivelatore ha quattro fori per il montaggio, uno in ogni angolo. Tutti e quattro i fori devono essere utilizzati per un montaggio sicuro. Per montare il rivelatore a parete, la calotta deve essere smontata togliendo le viti.

Fare riferimento alle istruzioni dei kit 6500-SMK/BEAMSMK o 6500-MMK/BEAMMMK se si vuol montare il rivelatore con queste configurazioni, che permettono una maggiore flessibilità nell'entrata dei cavi.

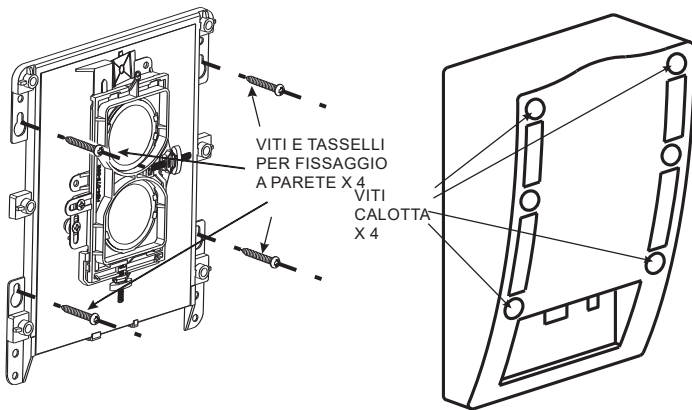


Figura 1: Fissaggio a parete del rivelatore

Il riflettore viene montato a parete utilizzando i quattro fori sugli angoli. Il riflettore deve essere montato in maniera che la sua superficie sia perpendicolare al percorso del raggio emesso dal rivelatore. La massima tolleranza ammissibile è di 10°. Se questa viene superata utilizzare il kit 6500-MMK/BEAMMMK (vedere le istruzioni del kit 6500-MMK/BEAMMMK per i dettagli).

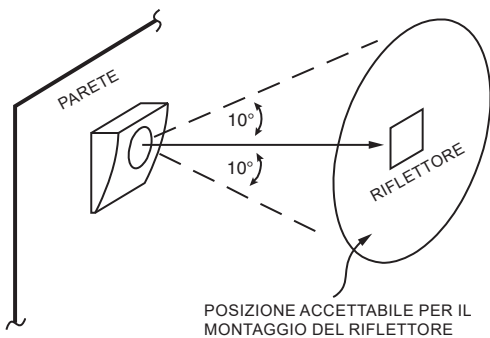


Figura 2a: Montaggio del riflettore, linee guida



Figura 2b: Montaggio del riflettore, linee guida

COLLEGAMENTI

Nota: Tutti i collegamenti devono essere effettuati nel rispetto delle norme locali.

Attenzione: Prima di lavorare sul sistema, notificare alle autorità preposte che il sistema è soggetto a manutenzione e sarà temporaneamente fuori servizio.

Le connessioni vengono effettuate sulla morsettiere. La sezione dei cavi può andare da un minimo di 0,3mm² ad un massimo di 3,2mm². Per ottenere risultati migliori è meglio utilizzare cavi schermati. Consultare le istruzioni del pannello di controllo e segnalazione per verificare eventuali limitazioni nella scelta dei cavi.

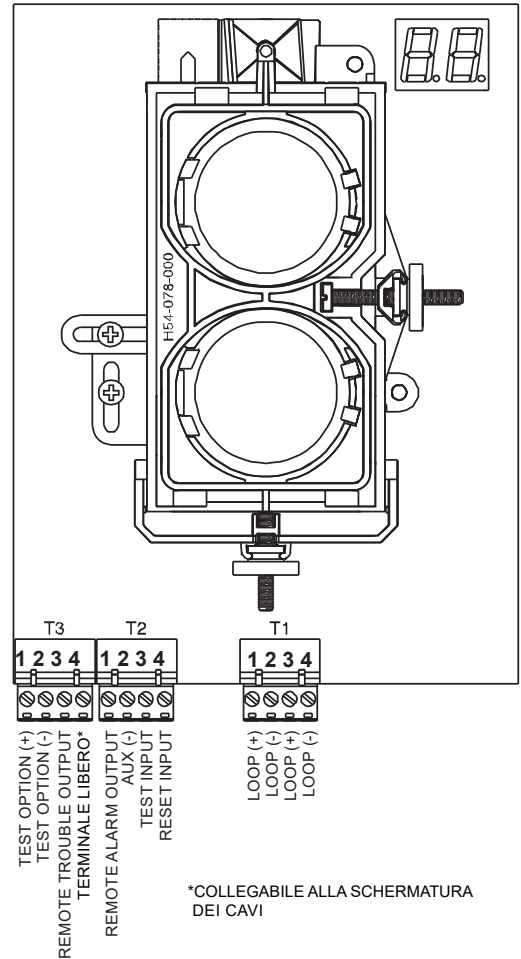
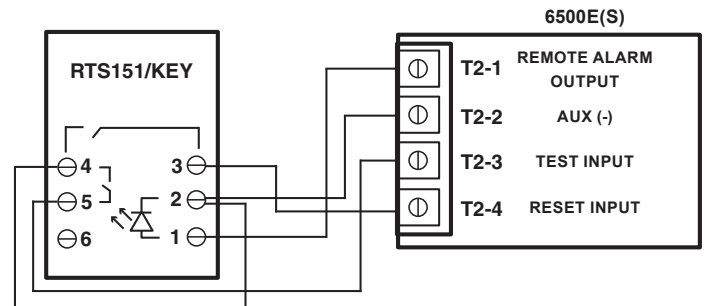


Figura 3: Connessione ai terminali del rivelatore



NOTA 1: VEDERE LE ISTRUZIONI DEL RTS151KEY PER LE CARATTERISTICHE ELETTRICHE

Figura 4: Collegamenti del RTS151KEY

Segnali	Terminali	Stato Normale	Stato Attivo	Commento
Reset Input	T2-4	Alta impedenza	0V	Si attiva connettendo ad Aux-
Test Input	T2-3	Alta impedenza	0V	Si attiva connettendo ad Aux-
Aux-	T2-2	0V	-	Connesso internamente a Power -ve
Remote Alarm Out	T2-1	Alta impedenza	+24V	A mezzo Resistenza di limitazione 2.2kΩ
Remote Trouble Out	T3-3	Alta impedenza	+24V	A mezzo Resistenza di limitazione 2.2kΩ

Tabella: Uso dei segnali di ingresso e uscita

Attenzione!

Tutti i segnali di INGRESSO e USCITA sui terminali sono attivi BASSI (0V).

Non connettere ai terminali altre tensioni, che potrebbero danneggiare seriamente il prodotto.

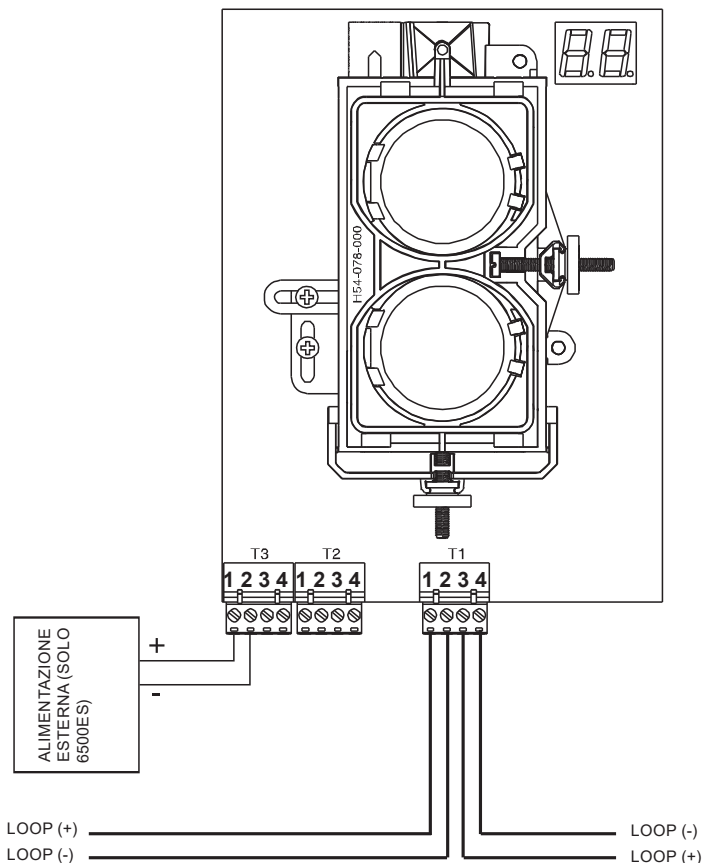


Figure 5: Connessioni

SELEZIONE DELL'INDIRIZZO

Selezionare l'indirizzo desiderato usando i selettori rotativi posti sul PCB sulla sinistra della parte ottica. L'indirizzo è compreso tra 1 e 159 (Nota: il numero di indirizzi disponibili dipende dalla capacità del pannello: per informazioni a questo proposito consultare la documentazione relativa al pannello). Rimuovere il fermo sul selettore di indirizzi delle decine, se la centrale collegata può usare indirizzi oltre il 99.

ISOLAMENTO DI CORTO CIRCUITO

Il rivelatore è fornito di un dispositivo per l'isolamento di corto circuito. Nel caso non si voglia utilizzare questa funzione, è possibile disabilitarla usando i due shunt sul PCB. Vedere la figura 6 per il posizionamento del ponte.

Il rivelatore viene fornito con il ponte inserito e quindi la funzione di isolamento è disabilitata.

PROCEDURA DI ALLINEAMENTO

Attenzione: se viene applicata l'alimentazione al rivelatore prima che la procedura di allineamento sia terminata, ci possono essere segnalazioni di guasto o allarme. Per prevenire questo inconveniente, disabilitare la zona prima di applicare l'alimentazione.

L'allineamento del 6500E comprende 4 fasi: pre-allineamento e allineamento grossolano, allineamento fine, regolazione del guadagno e verifica finale. E' fondamentale che i quattro passi vengano svolti correttamente per un corretto allineamento del prodotto.

Pre-allineamento, operazioni

- Assicurarsi che sia il rivelatore che il pannello riflettente siano montati correttamente su superfici stabili
- Assicurarsi della correttezza dei cablaggi e del corretto posizionamento dei connettori nelle loro sedi.
- Completare tutti i cablaggi per minimizzare i movimenti alla fine della procedura di allineamento
- Assicurarsi che il pannello riflettente sia appropriato per la distanza dell'installazione
- Assicurarsi che il percorso del raggio sia libero e che oggetti riflettenti si trovino ad almeno 380mm dalla linea ideale di trasmissione.

- Assicurarsi che sia il rivelatore che il pannello riflettente siano montati rispettando le inclinazioni consentite.
- Disabilitare la zona o il sistema per prevenire falsi allarmi
- Assicurarsi che il rivelatore sia alimentato
- Normalmente, a causa del maggiore assorbimento di corrente richiesta per l'allineamento, una sola unità per loop dovrebbe trovarsi in modalità allineamento.

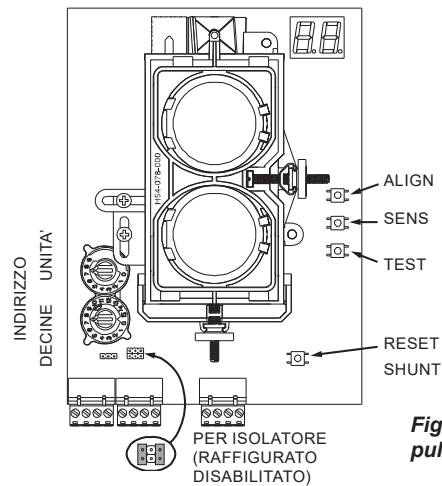


Figura 6: Posizione pulsanti

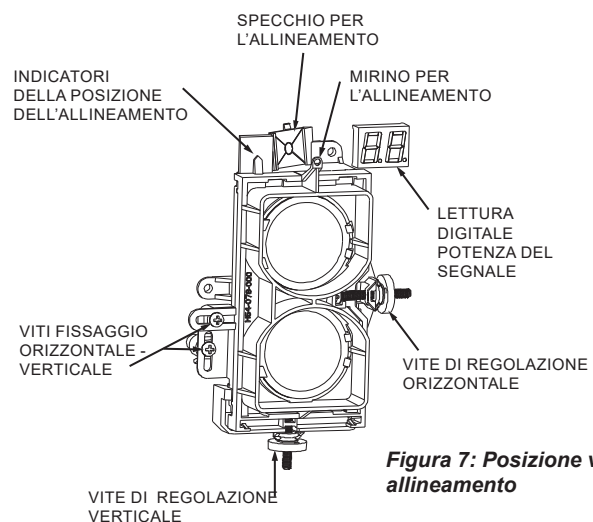


Figura 7: Posizione viti di allineamento

Fase 1. Allineamento grossolano

Vedere figure 6 e 7

1. Assicurarsi che entrambe le viti di fissaggio orizzontale e verticale siano rilasciate in maniera che il movimento dell'ottica sia libero.
2. Attraverso l'uso del mirino e dello specchio, localizzare la posizione del pannello riflettente. Inizialmente questa fase richiede un po' di pratica. Per facilitare le operazioni, è possibile applicare al pannello riflettente un'etichetta arancione (fornita) in modo tale da rendere più visibile il pannello nel caso in cui la distanza tra rivelatore e pannello sia grande.
3. Quando il riflettore appare nello specchio, agire sulle manopole per la regolazione verticale e orizzontale in maniera tale che, attraverso il mirino, il riflettore sia centrato nello specchio. Attenzione: se l'allineamento non è corretto, non sarà possibile procedere con il passo successivo.

L'allineamento effettuato con il mirino e lo specchio non dà un allineamento particolarmente accurato. E' solo un punto di partenza per il passo successivo. Al completamento della procedura di allineamento fine può accadere che il riflettore non sia centrato nell'insieme specchio-mirino.

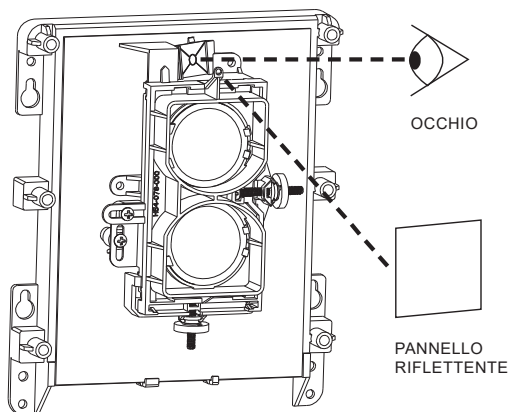


Figura 8: Allineamento grossolano

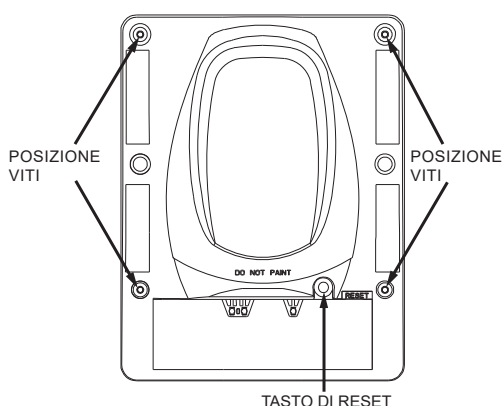


Figura 9: Viti per la rimozione della calotta

Fase 2: Allineamento fine

Vedere le figure dalla 6 alla 8

1. Assicurarsi che non ci siano ostacoli tra il rivelatore e il pannello riflettente tali da pregiudicare il percorso del raggio
2. Premere il pulsante ALIGN una volta. Si accendono sia il display digitale che il LED giallo indicando che la modalità di allineamento è stata attivata. La lettura iniziale del display sarà “—” mentre viene automaticamente effettuata una calibrazione del guadagno. Dopo qualche secondo il display indicherà un valore vicino a 20.

Nota 1: Se sul display viene visualizzata la scritta “Lo” significa che il rivelatore non riceve luce riflessa sufficiente. Ripetere quindi la fase di allineamento grossolano e controllare se è stato usato il numero corretto di pannelli riflettenti indicati per la distanza in esame. Il display indicherà “Lo” fino a che la luce riflessa non sarà sufficiente per continuare con la fase successiva.

Nota 2: Nella modalità di allineamento (indicata con l'accensione del display alfanumerico e del LED giallo) i pulsanti “SENS” e “TEST” sono disabilitati.

3. Quando il display mostra un valore numerico, regolare le viti per la regolazione orizzontale e verticale una alla volta in modo da incrementare il livello del segnale segnato sul display. Ricercare il livello massimo raggiungibile muovendo alternativamente le due viti. Al raggiungimento del valore di 90 il rivelatore ridurrà automaticamente il suo guadagno. Questo passo sarà indicato come un “—” sul display. Fermare quindi le operazioni di regolazione fino a che sul display non apparirà di nuovo un valore numerico. Questo processo potrebbe essere ripetuto più di una volta.
4. Appurato che non è possibile ottenere più di un certo livello di guadagno, premere nuovamente il pulsante “ALIGN” per concludere la fase di allineamento fine. Il display si spegnerà e il LED giallo rimarrà acceso.
5. Assicurarsi che le viti di fissaggio orizzontale e verticale siano serrate.

Nota: è possibile che il valore di 90 sul display non venga mai raggiunto. Ogni volta che il valore 90 viene raggiunto viene automaticamente ridotto il guadagno, rendendo così sempre più difficile ottenere alti guadagni.

Qualsiasi numero è accettabile, a patto che sia il massimo raggiungibile con la regolazione fine.

A questo punto è possibile selezionare la sensibilità desiderata usando il pulsante SENS ed il display. Vedere la sezione SELEZIONE DELLA SENSIBILITÀ' per maggiori dettagli.

Fase 3. Regolazione Finale del Guadagno

Vedere la figura 9

In questa fase, il sensore regola automaticamente in maniera definitiva il suo guadagno. E' necessario inoltre effettuare questa operazione montando la calotta perché la calotta cambia la quantità di luce riflessa dal pannello che raggiunge le lenti.

1. Installare la calotta esterna del rivelatore, avendo cura di stringere bene le viti poste ad ogni angolo.

Nota: La calotta contiene una guarnizione a protezione della circuiteria del rivelatore da polvere, agenti corrosivi, umidità. Per assicurare la corretta funzionalità della guarnizione, stringere tutte e quattro le viti di ritenzione della calotta.

2. Rimuovere la pellicola protettiva dalla superficie frontale della calotta e pulire la calotta nel caso la pellicola lasciasse qualche residuo con un panno morbido. Non usare alcun solvente.

3. Per iniziare la procedura di regolazione del guadagno finale premere il pulsante RESET con un piccolo cacciavite. Una volta premuto, il LED giallo inizierà a lampeggiare. Al completamento dell'operazione, il LED giallo smetterà di lampeggiare ed inizierà a lampeggiare e il LED verde, ad indicare che la regolazione si è conclusa positivamente.

Nota: prestare attenzione a non interrompere il percorso del raggio in durante questa operazione.

4. Installare quindi la seconda calotta (di colore chiaro) procedendo all'incastro sulla prima.

Nota: Se la calotta estetica è stata verniciata, procedere all'installazione solo a completa asciugatura della vernice applicata.

Fase 4. Verifica Finale

Questa fase è necessaria per garantire che il sensore sia calibrato al livello di sensibilità più opportuno.

1. Con il sensore in funzione (dipende dal pannello di controllo, ma il LED verde dovrebbe lampeggiare), oscurare completamente il rivelatore con un materiale non riflettente (ad esempio questo stesso manuale). Entro una trentina di secondi il rivelatore segnalerà o la condizione di fault o la condizione di allarme. Se questo non accade, c'è un problema con l'installazione.
2. Completare il test di sensibilità del sensore come descritto nel capitolo: TEST DI SENSIBILITÀ'

SELEZIONE DELLA SENSIBILITÀ'

La sensibilità del rivelatore può essere settata solamente senza la calotta e con il sensore fuori dallo stato di regolazione fine nella fase di allineamento. Per accedere alla selezione della sensibilità, premere il pulsante SENS una volta (vedere figura 6). Il display digitale si illuminerà indicando la sensibilità impostata in percentuale di oscuramento. Premere il pulsante SENS nuovamente per procedere con la selezione della sensibilità desiderata (vedere tabella 1). Al raggiungimento del livello desiderato rilasciare il pulsante. Dopo qualche secondo il rivelatore imposterà la sua sensibilità al valore impostato.

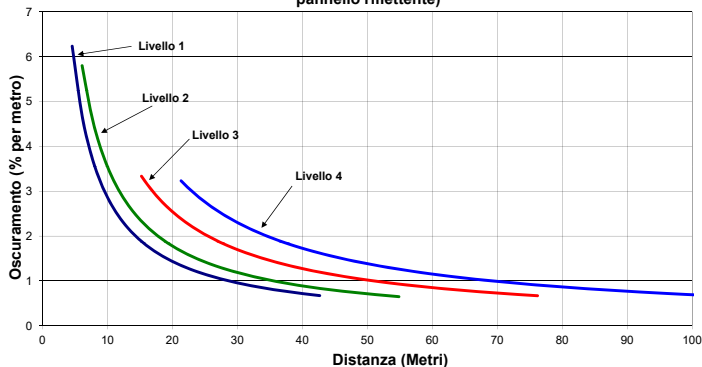
In aggiunta ai quattro livelli standard di sensibilità, il rivelatore dispone di due livelli variabili. Quando uno di questi due livelli è selezionato, il rivelatore provvederà a regolare automaticamente la sua sensibilità usando un algoritmo software che seleziona la sensibilità ottimale in funzione

Livello di sensibilità	% Oscuramento	Letture display
Livello 1	25	25
Livello 2	30	30
Livello 3	40	40
Livello 4	50	50
Livello variabile 1	da 30 a 50	A1
Livello variabile 2	da 40 a 50	A2

Tabella 1: Livelli di sensibilità

NOTA: Solo i livelli 1 - 3 sono approvati EN54-12: 2015

Grafico 1: SENSIBILITA' (%/m in funzione della distanza)
(Distribuzione uniforme del fumo per tutta la distanza tra rivelatore e pannello riflettente)



dell'ambiente dell'installazione. La sensibilità viene continuamente aggiornata entro i limiti illustrati nel grafico 1

L'oscuramento totale considera una distribuzione uniforme del fumo nell'intera lunghezza del percorso del raggio. Il grafico 1 mostra l'oscuramento totale in percento per metro per tutti i livelli di sensibilità.

TEST DI SENSIBILITÀ

NOTE:

1. prima di effettuare il test, notificare alle autorità preposte che il sistema sarà in manutenzione e quindi temporaneamente fuori servizio. Disabilitare la zona od il sistema per prevenire falsi allarmi.
2. Prima di testare il rivelatore, verificare che il LED verde lampeggi e non ci siano elementi di disturbo del raggio. Se il LED non lampeggia e non segna GUASTO o ALLARME, verificare l'alimentazione. I rivelatori devono essere testati dopo l'installazione e dopo la sessione di manutenzione periodica. La sensibilità del rivelatore 6500E va testata come descritto nel paragrafo seguente.

Metodo del filtro di test calibrato

La sensibilità del sensore può essere testata usando un materiale opaco (come questo manuale per esempio) coprendo il riflettore in base alla scala graduata presente sul riflettore stesso (vedere fig. 10)

1. Verificare l'impostazione della sensibilità impostata. Vedere il capitolo Selezione della Sensibilità di questo manuale per determinare la sensibilità impostata se questa è sconosciuta.
2. Appoggiare il filtro oscurante sul pannello riflettente secondo la scala graduata ad un valore 10 meno la percentuale di oscuramento impostata. Il sensore non dovrebbe rilevare né allarme né fault. Mantenere il filtro in posizione per almeno un minuto.
3. Appoggiare il filtro oscurante sul pannello riflettente secondo la scala graduata ad un valore 10 più la percentuale di oscuramento impostata. Il rivelatore deve dare una segnalazione di allarme entro un minuto.
4. Il sensore può essere resettato con il pulsante RESET o a mezzo del test remoto.

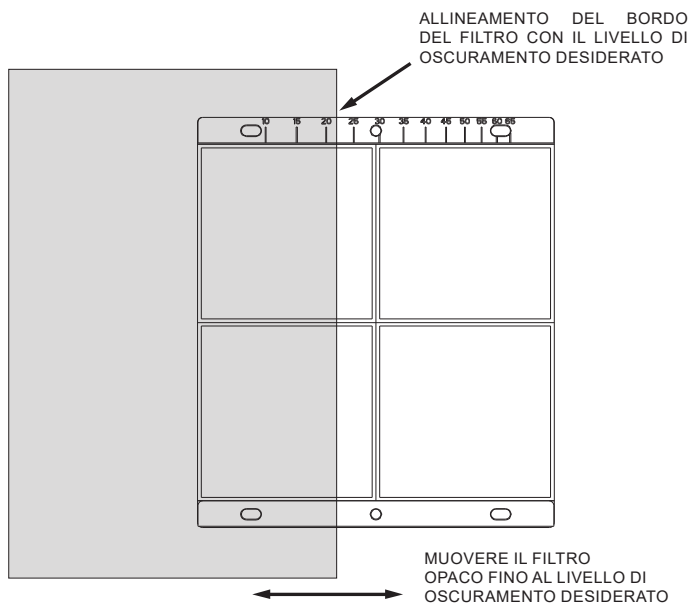


Figura 10. Filtro sul pannello, procedura

Verifiche in caso di fallimento del test

In caso di fallimento del test devono essere effettuate alcune verifiche per determinare se il sensore è guasto o se semplicemente è necessario un nuovo allineamento:

1. Verificare la correttezza dei cablaggi e la presenza di alimentazione
2. Verificare che il percorso del raggio sia libero da ostacoli e che le superfici riflettenti siano sufficientemente distanti.
E' fondamentale che almeno il 90% della luce in ricezione sia riflessa solamente dal pannello riflettente, altrimenti il livello di sensibilità corretto non può essere assicurato.
3. Applicare la procedura di manutenzione presente in questo manuale. Ripetere la procedura di test. Se non si riesce a portare a termine correttamente la procedura, procedere con il punto 4.
4. Ripetere la procedura di allineamento come da manuale. Se tale procedura si conclude positivamente, ripetere la procedura di test. Se invece non si riesce a completarla, il rivelatore dovrebbe essere restituito al fabbricante per la riparazione.

SENSORE DI FUMO A RAGGIO OTTICO 6500E: INSTALLAZIONE

Allineamento: assicurarsi che il sensore sia alimentato

Allineamento grossolano:

Usare l'adesivo arancione per identificare il riflettore
Completare l'allineamento usando le viti per l'allineamento orizzontale e verticale.

Allineamento fine

Premere il pulsante **ALIGN**.

Continuare l'allineamento usando le viti.

Quando l'allineamento è completo, premere il pulsante **ALIGN**.

Selezione della sensibilità

Selezionare usando il pulsante **SENS**.

Regolazione finale del guadagno – Assicurarsi che sia montata la copertura.

Iniziare usando il pulsante **RESET**.

Completata quando il LED verde lampeggia.

Verifica Finale

Usare i filtri di oscuramento o la test card sul riflettore per verificare i segnali di Allarme e Guasto

MANUTENZIONE

Nota: Prima di pulire il rivelatore, notificare alle autorità preposte che il sistema sarà in manutenzione e quindi temporaneamente fuori servizio. Disabilitare la zona od il sistema per prevenire falsi allarmi.

1. Pulire la calotta esterna con un panno morbido e un sapone delicato. Non pulire con prodotti contenenti solventi o ammoniaci.
2. Pulire il riflettore con un panno morbido e un sapone delicato. Non pulire con prodotti contenenti solventi o ammoniaci.

Test Funzionale

Per il test funzionale successivo alla manutenzione periodica si possono utilizzare il metodo del filtro calibrato, oppure l'apposito pulsante sul rivelatore oppure ancora procedere con il test da stazione remota.

L'accessorio per il test remoto RTS151KEY può essere utilizzato con il rivelatore a raggio ottico 6500E. Lo schema elettrico di connessione al 6500E/S si trova a pagina 2.

Il rivelatore 6500ES è provvisto di un sistema di un sistema di auto test che consiste in un filtro calibrato e motorizzato che oscura le lenti. Quando il test è condotto da stazione remota o premendo il pulsante sul rivelatore, il filtro viene automaticamente posizionato sul percorso del raggio. Se il sensore rileva l'abbassamento del segnale corretto, darà un segnal di allarme. Se invece l'attenuazione non è sufficiente (sensibilità fuori tolleranza), il sensore attiverà la condizione di guasto.

Nota: Questo test deve soddisfare tutte le regolamentazioni locali su manutenzione e test. Se il rivelatore non supera il test, verificare il capitolo "Verifiche in caso di fallimento del test".

VERNICIATURA

La calotta esterna può essere dipinta per rendere meno visibile il rivelatore. Usare uno smalto acrilico che può essere depositato sia a pennello che a spruzzo.

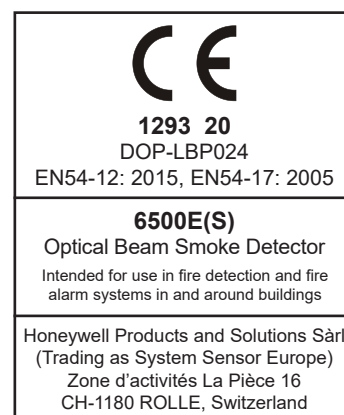
Nota: Non dipingere mai la superficie delle lenti.

Modalità	LED Rosso Vedi Note	LED Giallo	LED Verde Vedi note	Annunciato re Remoto	Display Digitale	Attivazione	Commenti e suggerimenti
Normale	Spento	Spento	Lampeggio	Lampeggio	Spento	Accensione corretta o reset del rivelatore	
Allineamento	Spento	Accesso	Lampeggio	Lampeggio	Accesso, segnale relativo 0 - 99 oppure " _ " se in agguistamento automatico guadagno o "Lo" se segnale troppo basso	Premere il pulsante ALIGN	
Allarme	Accesso	Spento	Spento	Accesso	Spento	Fumo, Filtro di test, RTS151KEY, pannello	
Guasto: massima compensazione polvere	Spento	3 lampeggi veloci	Lampeggio	Lampeggio	Spento	Riferimento drift a lungo termine fuori range	- Pulizia rivelatore e pannello riflettente
Guasto: segnale fuori range	Spento	2 lampeggi veloci	Lampeggio	Lampeggio	Spento	Incremento del segnale riflesso	- Verifica assenza oggetti tra rivelatore e pannello, verifica assenza oggetti riflettenti a distanza ravvicinata - Luce solare sul pannello riflettente
Guasto: Blocco del raggio risposta	Spento	4 lampeggi veloci	Lampeggio	Lampeggio	Spento	Blocco del raggio	- Rimuovere blocco - Unità guasta
Inizializzazione / Accensione	Spento	Lampeggio fino al completamento	Lampeggio	Lampeggio	Spento	Applicazione alimentazione	
Inizializzazione / uscita allineamento	Spento	Lampeggio fino al completamento	Lampeggio	Lampeggio	Spento	Pressione RESET dopo allineamento	
Test locale: test ok	Accesso	Codifica lampeggio in base alla compensazione utilizzata	Spento	Accesso	Spento	Pannello di controllo o RTS151KEY	Rimane in allarme fino al reset
Test locale: test fallito	Spento	Accesso fino a reset o timeout	Lampeggio	Lampeggio	Spento	Pannello di controllo o RTS151KEY	Rimane in guasto fino al reset o timeout

Nota: L'operatività dei LEDs verde e rosso dipende dalla programmazione del pannello. Per esempio il LED verde non può essere programmato come "lampeggiante" in modalità normale.

Lampeggio del LED giallo al completamento del test locale.

Livello di compensazione raggiunto	Numero di lampeggi
<10%	Nessuno/a
<20%	1
<30%	2
<40%	3
<50%	4
<60%	5
<70%	6
<80%	7
<90%	8
<100%	9



GENERAL

El modelo 6500E es un detector de humo analógico por rayo proyectado de largo alcance, diseñado para proteger áreas diáfanas. Consta de dos dispositivos: una unidad en la que se combinan transmisor y receptor, y un reflector. Cuando el humo entra en el área situada entre estos dos componentes se produce una reducción en la señal que retorna al receptor. Cuando el oscurecimiento alcanza los umbrales de alarma, seleccionados en la unidad con transmisor/receptor, el detector genera una señal de alarma. Cuando se produce un bloqueo total del rayo se genera una señal de avería. Los cambios lentos en el oscurecimiento debido a la formación de suciedad o polvo en la lente del detector se compensan a través de un microcontrolador que supervisa continuamente la potencia de la señal y actualiza periódicamente los umbrales de alarma y avería. Cuando el circuito de autocompensación alcanza su límite, el detector genera una señal de avería, indicando la necesidad de mantenimiento. Tras finalizar la prueba local, el LED amarillo parpadeará siguiendo un patrón para indicar el nivel de compensación por suciedad utilizado durante la prueba (véase la tabla de *Parpadeos del LED amarillo* al final del manual).

El modelo 6500SE incluye un filtro de prueba servocontrolado y calibrado para indicar alarma que permite realizar una prueba de alarma automática y remota.

ESPECIFICACIONES

General

Rango: 10 a 70 m
70 m a 100 m utilizando el 6500-LRK/BEAMLRK opcional

Sensibilidad: **Niveles aprobados EN54-12: 2015**
 Nivel 1 = 25% oscurecimiento (1,25 dB)
 Nivel 2 = 30% oscurecimiento (1,55 dB)
 Nivel 3 = 40% oscurecimiento (2,22 dB)
Niveles no aprobados EN54-12: 2015
 Nivel 4 = 50% oscurecimiento (3,01 dB)
 Nivel 5 = 30% a 50% (Autoajustable Nivel 1)
 Nivel 6 = 40% a 50% (Autoajustable Nivel 2)

Máxima desalineación angular: Detector $\pm 0,5^\circ$ Reflector $\pm 10^\circ$

Ambientales

Límites de temperatura: -30°C a 55°C
 Humedad: 10% a 95% Humedad Relativa (sin condensación)

Mecánicas

Dimensiones (sin carcasa): 229mm x 178mm x 84mm
 Dimensiones (con carcasa): 253mm x 193mm x 84mm
 Cableado: 0,3 mm² a 3,2 mm²
 Ángulo de ajuste: $\pm 10^\circ$ Horizontal y Vertical

Eléctricas

Tensión: 15 a 32 Vdc (15-28,5 V si se utilizan aisladores)
 Corriente media en reposo: 2 mA a 24Vdc; 1 comunicación cada 5 seg.,
 LED intermitente
 comunicación cada 16 s. Parpadeo led cada 8 s)

Máxima corriente en alarma: 8,5 mA (LED encendido)
 Máxima corriente en avería: 2,5 mA (LED encendido)
 Máxima corriente de alineación: 20 mA
 Fuente de alimentación externa Tensión: 15 a 32 Vdc
 (solo para prueba de alarma automática del 6500SE) Corriente: 0,5 A Máx.
 Salida remota (alarma): Tensión: 15 a 32 Vdc
 Corriente: 6 mA a 15 mA. Limitada por resistencia de 2,2 K Ω

Características del aislador

Máxima corriente continua con el interruptor cerrado (Ic máx.): 1A
 Máxima corriente en cortocircuito (Is máx.): 1A
 Máxima corriente en circuito abierto (IL máx.) (estado aislado): 15mA
 Máxima impedancia en serie con el interruptor cerrado (Zc máx.): 200 mOhms a 15Vcc

COMPONENTES

Descripción	Cantidad
Unidad con transmisor/receptor	1
Marco embellecedor que se puede pintar	1
Reflector	1
Bloques de terminales extraíbles	3
Puentes para anular aislador	2
Etiqueta naranja que sirve de ayuda durante la alineación del equipo.	1
Manual de instrucciones	1

ACCESORIOS APROBADOS

6500-LRK/BEAMLRK

Kit de largo alcance que consta de tres reflectores adicionales de 20 cm x 20 cm, lo que permite utilizar el detector para distancias entre los 70 y 100 m.

6500-MMK/BEAMMMK

Kit para montaje múltiple que permite montar el detector 6500E en techos o paredes donde el detector y reflector no pueden instalarse a 10° uno del otro. En un kit se monta la unidad con transmisor/receptor o el reflector. Si se monta el transmisor/receptor en el 6500-MMK/BEAMMMK, se debe utilizar el 6500-SMK/BEAMSMK. Observe que solo se puede montar un único reflector de 20 cm x 20 cm utilizando el MMK: El 6500-LRK/BEAMLRK no es compatible con el MMK.

6500-SMK/BEAMSMK

Kit para montaje en superficie del transmisor/receptor (también utilizado en combinación con el 6500-MMK/BEAMMMK) para proporcionar una profundidad adicional de 43 mm y facilitar el montaje en superficie y permitir la entrada del cable por el lateral.

RTS151KEY

Accesorio anunciador y de prueba que permite probar el detector de forma remota, con funciones de rearme y prueba, un led rojo que indica alarma. (Nota: Si requiere caja posterior, es necesario solicitarla por separado, referencia WM2348).

MONTAJE DEL DETECTOR

Ubicación

El 6500E se debe instalar de acuerdo a los estándares y directrices locales, por ejemplo BS5839 parte 1. Si desea información general, consulte la guía de aplicación de los detectores de humo por rayo proyectado, disponible previa solicitud a su suministrador.

Posición de montaje

Los detectores por rayo requieren una superficie de montaje muy estable para poder funcionar correctamente. Una superficie que se mueva, desplace o vibre con el paso del tiempo puede causar averías o falsas alarmas. Si se selecciona, desde el principio, una superficie de montaje adecuada, se eliminarán las señales de avería y alarmas no deseadas. Monte el detector en una superficie estable, como por ejemplo de ladrillo, cemento, una pared maestra fuerte, columna de apoyo, viga estructural u otro tipo de superficie que no es probable que experimente vibración o movimiento. NO MONTE el detector por rayo en paredes metálicas onduladas, paredes de láminas de metal, revestimientos externos del edificio, falsos techos, puntales de acero, vigas no estructurales, viguetas u otras superficies de este tipo. El reflector es mucho más tolerante al movimiento que el transmisor/receptor, por lo que, en los casos en los que sólo se disponga de una superficie estable de montaje, debe montarse en ésta la unidad con transmisor/receptor. Consulte las especificaciones en las que se indica la desalineación angular permitida; el movimiento que exceda estos límites puede causar alarmas no deseadas y averías.

Factores a considerar para el montaje

- Debe haber un campo visual completamente despejado entre el detector y el reflector.
- Los objetos reflectantes deben estar a una distancia mínima de 380 mm del campo visual entre el detector y reflector para evitar poner en peligro el área protegida a causa de la luz reflejada.
- Se debe impedir que la luz solar directa o luces potentes incidan en la unidad con transmisor/receptor. Debe haber un mínimo de 10° entre la trayectoria de la fuente de luz y el haz del detector.
- Siempre que sea posible, se debe evitar que el haz del detector traspase el vidrio. Si fuera necesario traspasar algún vidrio, el ángulo entre el haz y el vidrio debe tener un máximo de 10° . De todas maneras, se debe impedir que el haz tenga que traspasar varios vidrios.

Montaje

La unidad con transmisor/receptor se debe montar directamente en la pared, con entrada de cable posterior. La base del detector dispone de cuatro orificios de montaje principales, uno en cada esquina. Se deben utilizar los cuatro orificios para asegurar la ensambladura. Para montar el detector en la pared, se debe extraer la tapa exterior después de quitar los cuatro tornillos que la sujetan.

Consulte las instrucciones relevantes si el transmisor/receptor se va a montar en una base 6500-SMK/BEAMSMK o 6500-MMK/BEAMMMK para obtener más opciones de entrada de cable.

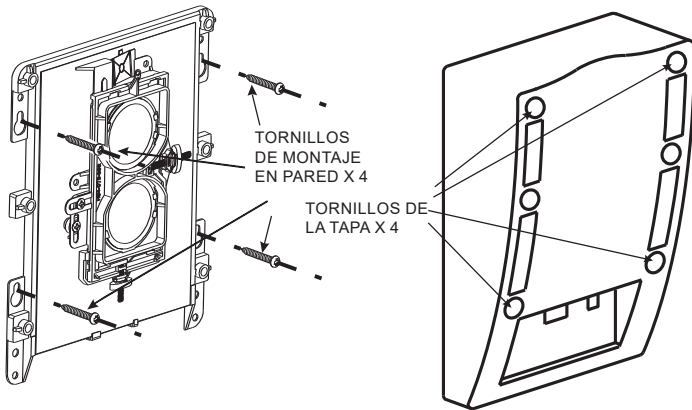


Figura 1: Montaje en pared del transmisor/receptor

El reflector se monta directamente en la pared utilizando los cuatro orificios de montaje, uno en cada esquina. Se debe instalar de manera que la plancha del reflector quede perpendicular al campo visual óptico de la unidad con transmisor/receptor. La tolerancia máxima para las posiciones de montaje que no son perpendiculares es de 10°. Si no es posible obtener esta tolerancia, es necesario utilizar la base 6500-MMK/BEAMMMK, consulte las instrucciones de 6500-MMK/BEAMMMK si desea más detalles.

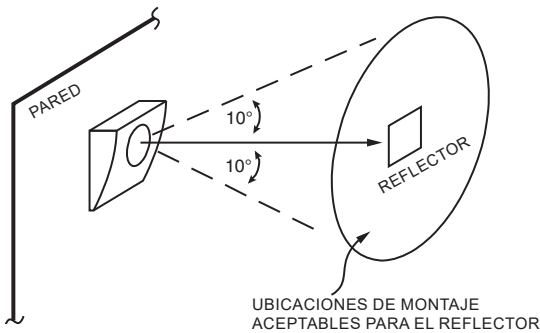


Figura 2a: Instrucciones para el montaje del reflector



Figura 2b: Instrucciones para el montaje del reflector

CONEXIONADO

Nota: Todas las conexiones se deben realizar según los requisitos locales.
Aviso: Antes de manipular el sistema, notifique a las autoridades pertinentes que se está realizando el mantenimiento del sistema y, por lo tanto, estará temporalmente fuera de servicio.

Las conexiones se realizan con bloques de terminales extraíbles, que aceptan cable de 0,3 mm² a 3,2 mm². Para obtener resultados óptimos, utilice cable apantallado. Si desea información sobre las limitaciones del tipo de cable, consulte las instrucciones de la central.

¡Atención!

Todos los terminales marcados como ENTRADAS (IN) o SALIDAS (OUT) solo admiten niveles bajos de tensión (0V)
 NO conecte ninguna otra tensión a estos terminales o el equipo podría resultar seriamente dañado

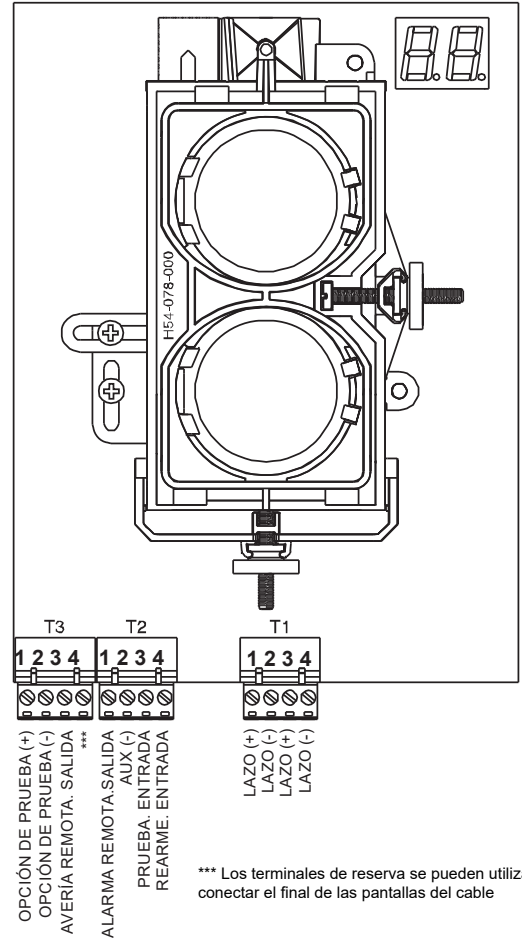
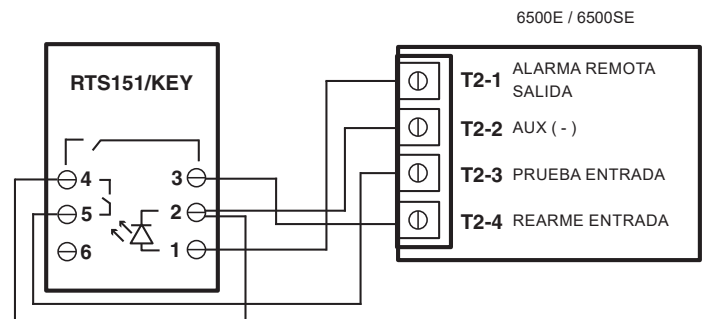


Figura 3: Conexiones de los terminales del detector



VÉASE LAS INSTRUCCIONES DE INSTALACIÓN DE RTS151KEY PARA LOS VALORES ELÉCTRICOS DE RTS151KEY

Figura 4: Conexión RTS151KEY

Nombre de la señal	Terminal	Estado normal	Activo	Observaciones
Entrada de rearme	T2-4	Impedancia alta	0V	Conectar momentáneamente a Aux- para que se active
Entrada de prueba	T2-3	Impedancia alta	0V	Conectar momentáneamente a Aux- para que se active
Aux-	T2-2	0V	-	Conectado internamente al terminal negativo (-) de alimentación
Salida de alarma remota	T2-1	Impedancia alta	+24V	A través de una resistencia de 2.2k ohms para limitar la corriente
Salida de avería remota	T3-3	Impedancia alta	+24V	A través de una resistencia de 2.2k ohms para limitar la corriente

Tabla 0: Uso de las señales de entrada y salida

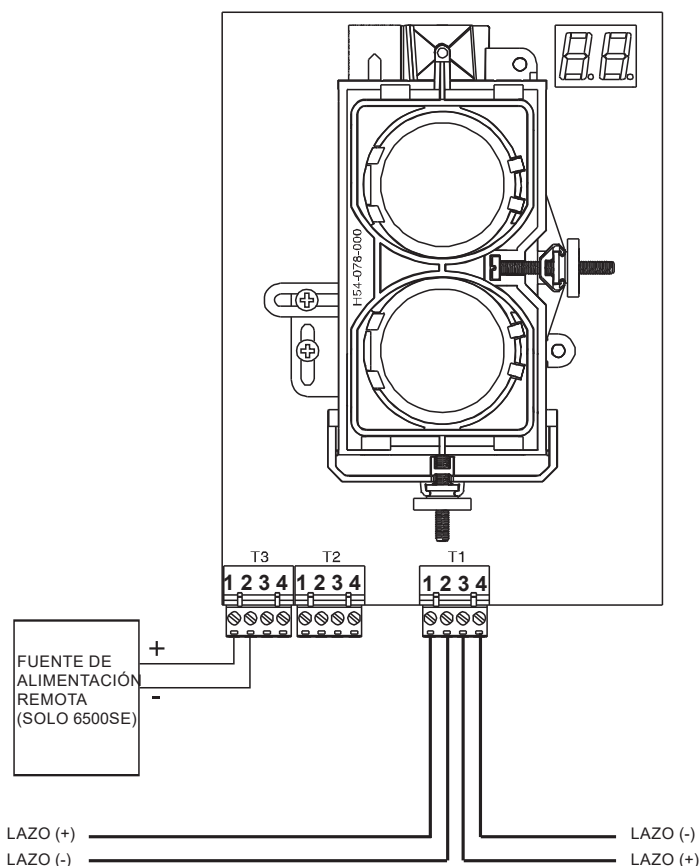


Figura 5: Diagrama de conexión

SELECCIÓN DE DIRECCIÓN

Ajuste la dirección del sensor (véase la Figura 6) con un destornillador plano para girar los dos selectores rotatorios y seleccionar el número deseado, entre 01 y 159 (Nota: El número de direcciones disponibles depende de la capacidad de la central, consulte la documentación de la central de incendios). Si la central de incendios es capaz de soportar más de 99 direcciones, es necesario romper la lengüeta del interruptor giratorio de las **decenas** que limita las direcciones a 99.

AISLAMIENTO DE CORTOCIRCUITO

El detector incluye, en su placa, un módulo aislador de cortocircuitos. Cuando no sea necesario el uso del aislador, se puede anular utilizando los dos puentes de la placa de circuito. Véase la Figura 6 para las ubicaciones de los puentes. El detector se suministra con los puentes colocados y los aisladores anulados.

PROCEDIMIENTO DE ALINEACIÓN

Aviso: Cuando se aplica alimentación por primera vez al detector, antes de finalizar el proceso de alineación, puede que éste entre en avería o alarma. Para evitar alarmas no deseadas, anule la zona antes de aplicar alimentación.

La alineación de 6500E se divide en cuatro fases: alineación inicial, ajuste fino, ajuste de ganancia final y verificación final. Es necesario que las cuatro fases se realicen de forma adecuada para asegurar una alineación correcta del producto.

Aspectos a considerar antes de la alineación

- Asegúrese de que el detector y el reflector están instalados firmemente en superficies estables.
- Asegúrese de que el conexionado es correcto y que los bloques de terminales están colocados en el lugar correspondiente.
- Finalice cualquier conexión para minimizar el movimiento del detector una vez completado el proceso de alineación.
- Asegúrese de que se instalan los reflectores adecuados para la distancia utilizada.
- Asegúrese de que el campo visual entre el detector y reflector está despejado y que los objetos reflectantes permanecen a una distancia mínima de 380mm del campo visual.

- Asegúrese de que el detector y el reflector están instalados dentro de los parámetros operativos de los ángulos de ajuste.
- Anule la zona o sistema para evitar alarmas no deseadas antes de aplicar la alimentación.
- Asegúrese de que el detector está "ACTIVADO", alimentación en "ON".
- Normalmente, debido al consumo de corriente durante la alineación, las unidades solo se deben alinear de una en una en el lazo. En caso contrario, el consumo del lazo se eleva pudiéndose producir respuestas inválidas del resto de equipos del lazo.

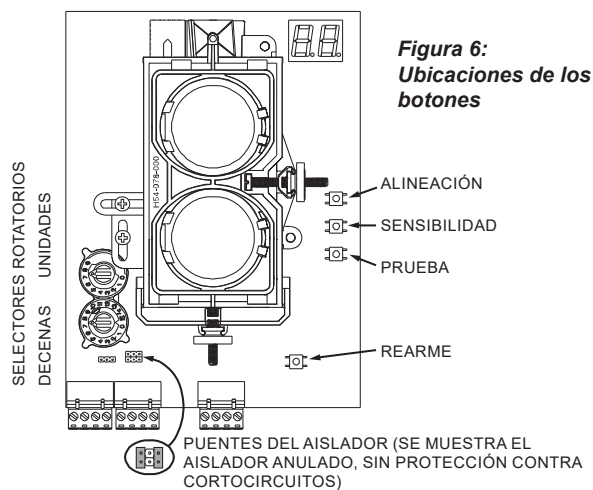


Figura 6: Ubicaciones de los botones

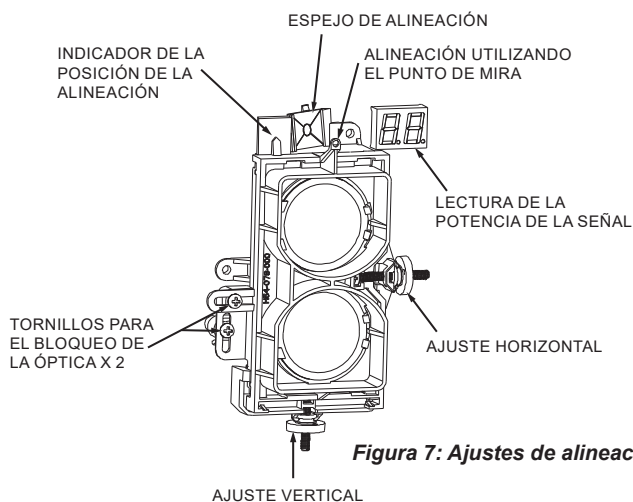


Figura 7: Ajustes de alineación

Fase 1. Alineación inicial

Véase la figura 6 y7.

1. Asegúrese de que los dos tornillos que bloquean la óptica están flojos para que la óptica se pueda mover libremente.
2. Mirando a través del espejo de alineación hacia el punto de mira y hacia el reflector simultáneamente, coloque la posición del reflector en el punto de mira. Tenga en cuenta que este proceso requiere algo de práctica. Junto con el sistema se incluye una etiqueta adhesiva de color naranja, que se puede poner, temporalmente, al lado del reflector para ayudar en la localización inicial si la distancia entre el reflector y detector es grande.
3. Una vez se ha localizado el reflector, empiece a ajustar las ruedas de alineación horizontal y vertical para que el reflector quede centrado en el espejo de alineación. Precaución: Si la óptica se alinea de forma incorrecta en esta fase, no será posible proseguir con la siguiente.

Observe que el punto de mira no proporciona una alineación exacta. Únicamente sirve como punto de partida para el siguiente paso. Al finalizar el proceso de ajuste fino, el punto de mira puede que parezca no estar centrado en el reflector.

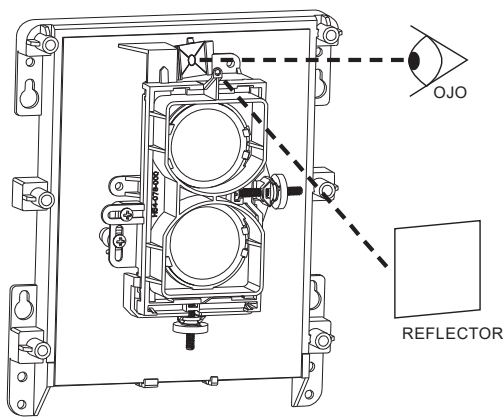


Figura 8: Alineación inicial

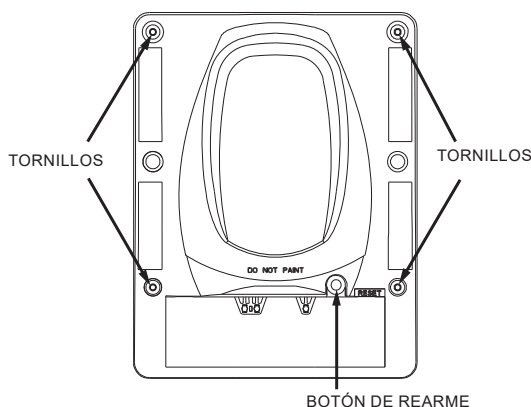


Figura 9: Tornillos de la carcasa

Fase 2. Ajuste fino

Véase las figuras de la 6 a la 8.

1. Asegúrese de que no hay ningún obstáculo en el campo visual entre el detector y reflector.

2. Apriete el botón de alineación una vez. La pantalla digital y el LED amarillo se encenderán para indicar que se ha entrado en el modo de alineación. En la pantalla debe aparecer inicialmente “- -”, lo que indica un ajuste de ganancia electrónica. Al poco tiempo, la pantalla visualizará un valor numérico cercano a 20.

Nota: Si en la pantalla se indica “Lo” (bajo), significa que el detector no está recibiendo suficiente luz del receptor. Retroceda y repita la fase de alineación inicial y verifique que se ha instalado el número adecuado de reflectores según la distancia utilizada. La pantalla seguirá mostrando “Lo” hasta que el detector reciba la luz suficiente del reflector y poder continuar con el ajuste fino.

Nota: En modo de alineación (LED amarillo y pantalla numérica encendidos), los botones de sensibilidad y prueba están inoperativos.

3. Cuando la pantalla muestra un número, empiece a ajustar las ruedas de alineación, primero una y luego la otra, para aumentar el nivel de la señal que aparece en pantalla. Continúe ajustando los ejes hasta que se indique un valor pico. Si se llega a 90, el detector reducirá su ganancia electrónica. Para indicarlo, en pantalla aparecerá “—”. Cuando esto suceda, interrumpa cualquier otro ajuste hasta que en la pantalla aparezca un valor numérico. Este proceso se puede repetir más de una vez durante el procedimiento de ajuste fino.

4. Una vez compruebe que no es posible alcanzar una lectura superior en la pantalla, pulse el interruptor de alineación para finalizar el ajuste fino. La pantalla digital se apagará y el LED amarillo permanecerá encendido.

5. Asegúrese de que los dos tornillos que sujetan la óptica están apretados.

Nota: Puede que no sea posible alcanzar un número cercano a 90 en la pantalla durante el último ajuste. Cada vez que se alcanza el número 90, la ganancia se reduce, lo que dificulta, cada vez más, el llegar a valores altos. Cualquier número es aceptable, siempre y cuando sea el valor más alto que se puede conseguir tras el ajuste final de ganancia.

Es recomendable ajustar ahora la sensibilidad del detector con el botón de sensibilidad y la pantalla digital. Véase la sección SELECCIÓN DE SENSIBILIDAD para más detalles.

Fase 3. Ajuste final de ganancia

Véase la figura 9.

En esta fase, el detector ajusta electrónicamente su ganancia interna por última vez. Es necesario acabar este proceso con la carcasa exterior montada ya que ésta modifica la cantidad de luz que recibe el receptor.

1. Instale la carcasa exterior del detector. La carcasa se instala apretando los cuatro tornillos, uno en cada esquina.

Nota: La carcasa dispone de una junta de estanqueidad sellada que protege la circuitería del detector de la corrosión y la humedad. Para asegurarse de que esta junta es efectiva, es necesario apretar por igual los cuatro tornillos que sujetan la carcasa.

2. Retire la película protectora de la parte frontal de la carcasa exterior. Puede que sea necesario limpiar restos que queden en la carcasa, para ello, utilice únicamente un trapo suave y húmedo; no utilice disolventes.

3. Para iniciar el ajuste final de ganancia electrónica, debe apretar el botón de rearme utilizando un destornillador pequeño o una herramienta similar. Una vez apretado, el LED amarillo empezará a parpadear. Al acabar el proceso, el LED amarillo parará y empezará a parpadear el LED verde, lo que indica que el ajuste de ganancia se ha finalizado correctamente.

Nota: Tenga cuidado de no bloquear el campo visual entre el detector y el reflector en esta fase del proceso de alineación.

4. Instale el marco embellecedor acoplándolo a la carcasa exterior.

Nota: Si se ha pintado el marco embellecedor exterior, asegúrese de que la pintura está completamente seca antes de proseguir.

Fase 4. Verificación final

Esta fase es necesaria para asegurarse de que el detector se ha programado correctamente y detectará el humo al nivel de sensibilidad adecuado.

1. Con el detector funcionando (dependiendo del funcionamiento de la central, puede que se indique con el LED verde intermitente), bloquee completamente el reflector con un material opaco no reflectante. Tras unos 30 segundos, el detector debe entrar en avería o alarma. Si el detector no entra en avería o en alarma, significa que hay un problema en la instalación.

2. Realice una prueba de sensibilidad del detector tal y como se describe en la siguiente sección.

SELECCIÓN DE SENSIBILIDAD

La sensibilidad del detector solo se puede ajustar cuando la carcasa está retirada y el detector no está en el proceso de realizar un ajuste fino. Para entrar en modo de selección, pulse el botón de sensibilidad una vez (véase la figura 6). La pantalla digital se iluminará y mostrará el ajuste actual de sensibilidad en porcentaje de oscurecimiento. Pulse el botón de sensibilidad de nuevo para avanzar al siguiente ajuste. Una vez se alcance el ajuste requerido (véase la Tabla 1), el detector abandonará el modo de selección de sensibilidad si no se pulsa ningún otro botón.

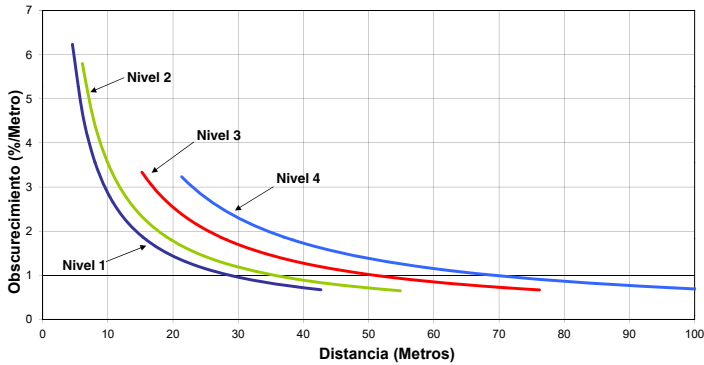
Aparte de las cuatro opciones de sensibilidad estándar, el detector dispone de dos niveles autoajustables (A1 y A2). Cuando se selecciona uno de estos valores, el detector ajusta automáticamente su sensibilidad mediante el uso de algoritmos avanzados para establecer la sensibilidad óptima para el

Ajuste de sensibilidad	% Oscurecimiento	Lectura de la pantalla
Nivel 1	25	25
Nivel 2	30	30
Nivel 3	40	40
Nivel 4	50	50
Nivel 1 autoajustable	30 a 50	A1
Nivel 2 autoajustable	40 a 50	A2

Tabla 1: Ajustes de sensibilidad

NOTA: Solo los niveles 1 a 3 están aprobados según EN54-12: 2015

GRÁFICA 1: SENSIBILIDAD (%M vs. DISTANCIA)
(asumiendo una distribución uniforme del humo)



ambiente. La sensibilidad se ajustará continuamente dentro de los rangos especificados en la Gráfica 1.

El total de oscurecimiento se puede convertir a porcentaje por metro, asumiendo una densidad de humo uniforme en toda la trayectoria del haz. La Gráfica 1 convierte el oscurecimiento en porcentaje por metro en todos los ajustes de sensibilidad aceptables.

PRUEBA DE SENSIBILIDAD

NOTAS:

- Antes de realizar la prueba, notifique a las autoridades pertinentes que se está realizando el mantenimiento y, por lo tanto, estará temporalmente fuera de servicio. Anule la zona o sistema en mantenimiento para evitar alarmas no deseadas.

Los detectores se deben probar después de la instalación y someterse a tareas de mantenimiento de forma periódica. La sensibilidad del 6500E se puede probar de la siguiente manera:

Método con el filtro de prueba calibrado

La sensibilidad del detector se puede probar utilizando un material opaco (como, por ejemplo, este manual) que cubra el reflector hasta el valor adecuado de la escala marcada en el mismo reflector, véase la Figura 10.

- Verifique el ajuste de sensibilidad del detector en % oscurecimiento. Véase la sección de Selección de Sensibilidad de este manual para determinar la sensibilidad si no la conoce.
- Coloque el filtro de prueba para bloquear el rayo sobre el reflector, en la marca cuyo valor sea, como mínimo, 10 números menos que el nivel de alarma seleccionado en el detector. El detector no debería entrar en alarma o avería. Mantenga el material en el mismo sitio durante 1 minuto, como mínimo.
- Coloque el filtro de prueba para bloquear el rayo sobre el reflector, en la marca cuyo valor sea 10 números más que el nivel de alarma seleccionado en el detector. El detector debería entrar en alarma en 1 minuto.
- El detector se puede rearmar con el botón de rearme del detector o a través de un rearme remoto.

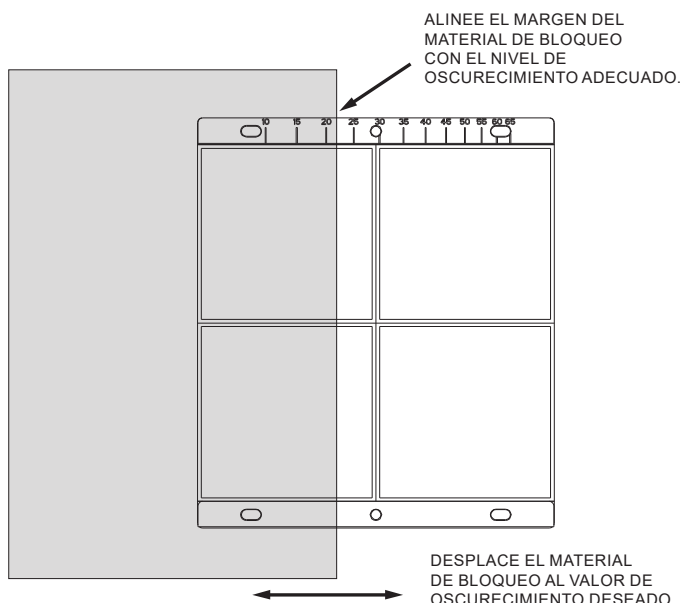


Figura 10. Procedimiento con la tarjeta de prueba del reflector.

Comprobaciones ante fallo de prueba

Si el detector falla la prueba funcional o la de sensibilidad, se deben realizar varias acciones para determinar, antes de devolverlo, si está defectuoso o simplemente necesita reajustarse.

- Verifique que todas las conexiones y la alimentación aplicada al detector sean correctas.
- Verifique que el campo visual óptico esté completamente despejado, sin obstáculos ni objetos reflectantes.

Es fundamental que como mínimo un 90% de la luz recibida proceda solo del reflector, de lo contrario, no se puede garantizar la sensibilidad.

- Aplique el procedimiento de mantenimiento descrito en este manual. Repita el procedimiento de prueba. Si el detector todavía falla en la prueba, prosiga con el siguiente párrafo.
- Repita el procedimiento de alineación descrito en este manual. Si se supera con éxito, repita el procedimiento de prueba. Si el detector todavía falla la prueba, devuélvalo para que pueda ser reparado.

DETECTOR DE HUMO POR RAYO 6500E: GUÍA DE CONFIGURACIÓN

Alineación del rayo. Asegúrese de que está alimentado.

Alineación inicial

Realizar utilizando el punto de mira.

Ajustar mediante las ruedas de ajuste vertical y horizontal.

Ajuste fino

Iniciar con el **Botón de alineación**.

Continuar el ajuste con las ruedas de ajuste vertical y horizontal.

Cuando finalice el ajuste, pulsar el **Botón de alineación**.

Ajuste de sensibilidad

Pulsar el **Botón de sensibilidad**.

Ajuste final de ganancia. La tapa frontal debe estar instalada.

Pulsar el **Botón de rearme**.

El proceso finaliza cuando el Led verde parpadea.

Verificación final.

Utilizar los filtros de oscurecimiento o la hoja de prueba del reflector para activar las señales de *Alarma* y *Avería*.

MANTENIMIENTO

Nota: Antes de limpiar el detector, notifique a las autoridades pertinentes que se está realizando el mantenimiento del sistema de detección de humo y, por lo tanto, estará temporalmente fuera de servicio. Anule la zona o sistema en mantenimiento para evitar alarmas no deseadas.

- Limpie con cuidado la lente de la carcasa exterior. Puede utilizar un trapo suave y húmedo con jabón suave. Evite los productos con disolventes o amoníaco.
- Limpie con cuidado el reflector. Puede utilizar un trapo suave y húmedo con jabón suave. Evite los productos con disolventes o amoníaco.

Prueba funcional

Para realizar la prueba funcional de mantenimiento periódico, el detector se puede probar con el filtro de prueba calibrado, mediante el botón de prueba local en la unidad con transmisor/receptor, o de manera remota utilizando la estación de prueba remota.

La estación de prueba remota, RTS151KEY, se puede utilizar con el detector de humo por rayo 6500E. Siga el diagrama de conexión para conectar el 6500(S)E al RTS151KEY se muestra en la página 2 de este manual.

El 6500SE dispone de un elemento integrado de prueba de sensibilidad que consta de un filtro de prueba calibrado unido a un servomotor dentro de la óptica del detector. Cuando se inicia una prueba a través de la estación de prueba remota o el botón de prueba local, el filtro de prueba se desplaza para bloquear la trayectoria del haz de luz. Si se recibe el nivel correcto de reducción de señal, el detector entrará en alarma. Si no se consigue el nivel adecuado de reducción de señal, lo que indica que la sensibilidad del detector está fuera de tolerancia, el detector entrará en avería.

Nota: esta prueba cumple la mayoría de los requisitos locales de prueba y mantenimiento periódico. Si el detector falla esta prueba, consulte el párrafo "Comprobaciones ante fallo de prueba", descrito anteriormente.

PINTURA

El marco embellecedor exterior se puede pintar con pintura al esmalte o acrílica, con brocha o spray.

Nota: Nunca se debe pintar la superficie de la lente de la carcasa exterior.


Modo de funcionamiento	Rojo Véase nota inferior	Amarillo	Verde Véase nota inferior	Anunciador remoto	Lectura de la pantalla digital (2 segmentos)	Descripción o acción a realizar	Comentarios y posibles soluciones
Normal	Off	Off	Interm.	Interm.	Off	Inicialización completa correcta o rearme del detector.	
Alineación	Off	On	Interm.	Interm.	On, número de señal 0-99, o "-" si se rearma la autogranancia, o "Lo" si señal demasiado baja.	Botón de alineación	
Alarma	On	Off	Off	On	Off	Humo, filtro de prueba, RTS151KEY, estaciones de prueba.	
Avería - Alcanzado valor máx. de compensación por suciedad	Off	3 parpadeos rápidos	Interm.	Interm.	Off	Referencia de compensación larga fuera de los límites	- Limpiar el detector y reflector
Señal de avería - Por encima del límite	Off	2 parpadeos rápidos	Interm.	Interm.	Off	Aumento de la señal reflejada	- Comprobar que en el campo visual entre el detector y reflector no hay objetos reflectantes - Luz solar en el detector o reflector
Avería - Bloqueo del rayo	Off	4 parpadeos rápidos	Interm.	Interm.	Off	Bloqueo del rayo	- Retirar bloqueo - Unidad defectuosa
Inicialización - Alimentación conectada	Off	Intermitente hasta finalizar	Interm.	Interm.	Off	Aplicar alimentación en equipo apagado	
Inicialización- Fin alineación	Off	Intermitente hasta finalizar	Interm.	Interm.	Off	Pulsar botón REARME después de alineación	
Prueba local con éxito	On	Parpadeos según la deriva producida	Off	On	Off	Central o entrada de prueba RTS151KEY	En alarma hasta rearme
Fallo en Prueba local	Off	'On' hasta rearme o fin de tiempo de indicación	Interm.	Interm.	Off	Central o entrada de prueba RTS151KEY	En avería hasta rearme o fin de tiempo de indicación

Nota: El funcionamiento de los LEDs verde y rojo depende de la programación de la central. Por ejemplo, el LED verde puede que no parpadee en modo "Normal".

Leyenda: Interm.: Intermitente; On: Activado; Off: Desactivado

Parpadeos del LED amarillo después de que el equipo ha superado una prueba local:

Porcentaje de la deriva del detector	Número de parpadeos
<10%	Ninguno
<20%	1
<30%	2
<40%	3
<50%	4
<60%	5
<70%	6
<80%	7
<90%	8
<100%	9



1293 20
DOP-LBP024
EN54-12: 2015, EN54-17: 2005

6500(S)E
Optical Beam Smoke Detector
Intended for use in fire detection and fire alarm systems in and around buildings

Honeywell Products and Solutions Sàrl
(Trading as System Sensor Europe)
Zone d'activités La Pièce 16
CH-1180 ROLLE, Switzerland

ALLGEMEIN

Der Lineare Rauchmelder 6500E ist ein ringbusgespeister Langstrecken-Melder und wird zur Überwachung von offenen Bereichen eingesetzt. Der Melder besteht aus einer Sender-/Empfänger-Einheit sowie einem Prismen-Reflektor. Die Auslösung des Melders erfolgt bei voreingestellter Alarmschwelle durch Dämpfung des gesendeten Signals, wenn der Rauch in den Erfassungsbereich zwischen Melder und Prismen-Reflektor gelangt. Eine Störung des Melders wird automatisch erkannt, wenn das reflektierte Signal nicht mehr empfangen werden kann. Die Betriebssicherheit des Melders wird durch eine mikroprozessorgesteuerte Fehlerkompensation erhöht. Die Überwachung der Signalgröße und das Auswertungsintervall erfolgt permanent. Bei geringer Verschmutzung der optischen Linse, z.B. durch Rauch-/Staubpartikel wird die Störungs-/Alarmschwelle automatisch an die vorherrschenden Umgebungsbedingungen angepasst. Kann die automatische Messwertnachführung nicht mehr durchgeführt werden, wird das Servicepersonal mittels einer optischen Störungsmeldung informiert. Nachdem der lokale Meldertest abgeschlossen ist, wird über die gelbe LED das Maß der Driftkompensation angegeben, die während der Testphase benutzt wurde (siehe Tabelle Blinkmodus der gelben LED nach einem lokalen Meldertest).

Die Funktionalität des Melders 6500SE kann mit einem fernauslösbaren Testfilter überprüft werden.

SPEZIFIKATION

Allgemein

Überwachungsstrecke: 10 bis 70m
70 bis 100m (mit dem optional erhältlichen Langstrecken-Zubehör 6500-LRK/BEAMLRK)

Ansprechempfindlichkeit:

EN54-12: 2015 Ebenen

Ebene 1: 25% Dämpfung
Ebene 2: 30% Dämpfung
Ebene 3: 40% Dämpfung

Nicht EN54-12: 2015 Ebenen

Ebene 4: 50% Dämpfung
Ebene 5: 30% bis 50% selbstoptimierend (Acclimate Ebene 1)
Ebene 6: 40% bis 50% selbstoptimierend (Acclimate Ebene 2)

Maximal zulässige Abweichung von der optischen Achse

Sender/Empfänger $\pm 0,5^\circ$ Prismen-Reflektor $\pm 10^\circ$

Umgebungsbedingungen

Betriebstemperatur: -30°C bis 55°C
Zulässige Luftfeuchtigkeit: 10% bis 95% rel. (nicht kondensierend)

Gehäuse

Abmessungen (ohne Frontplatte): 229mm x 178mm x 84mm
Abmessungen (mit Frontplatte): 253mm x 193mm x 84mm
Anschlussklemmen: 0,3 mm² bis 3,3 mm²
Max. Ausrichtungswinkel: $\pm 10^\circ$ (horizontal / vertikal)

Auswertelektronik

Betriebsspannungsbereich: 15 bis 32 V DC (15 bis 28,5V DC wenn Isolatoren für den Ringbus aktiviert sind)
Mittlerer Nennstrom: 2mA @ 24VDC; 1 Auswertungsintervall alle 5 s, blinkende LED (AP - Kommunikation 16 Sekunden. LED blinkt 8 Sekunden)
Max. Strom bei Alarm: 8,5mA (LED an)
Max. Strom bei Störung: 2,5mA (LED an)
Max. Strom bei Ausrichtung: 20mA
Bei ext. Spannungsversorgung Betriebsspannungsbereich: 15 bis 32 V DC (Autom. Testbetrieb) Nennstrom: max. 0,5 A
Alarm-Ausgang ext. Anzeige: Betriebsspannungsbereich: 15 bis 32 V DC Nennstrom: 6 mA bis 15mA (durch 2,2k Ω Widerstand)

Isolatoreigenschaften

Maximaler Strom bei geschlossenem Schalter (I_c max): 1A
Maximaler Schaltstrom (bei Kurzschluss) (I_s max): 1A
Maximaler Leckstrom (I_L max) bei geöffnetem Schalter: 15mA
Maximale Reihenimpedanz bei geschlossenem Schalter (Z_c max): 200mOhm bei 15V dc

STÜCKLISTE

Beschreibung

Beschreibung	Menge
Sender-/Empfänger-Einheit	1
Lackierbare Gehäuseabdeckung	1
Prismen-Reflektor	1
steckbare Anschlussklemmleisten	3
Orangfarbened Schild zur Unterstützung bei der Ausrichtung	1
Steckbrücken für Isolator	2
Installationsanleitung	1

VOM HERSTELLER ZUGELASSENES ZUBEHÖR

6500-LRK/BEAMLRK

Langstrecken-Zubehör, bestehen aus drei zusätzlichen Prismen-Reflektoren (20 cm x 20 cm) zur Vergrößerung der Überwachungsstrecke von 70 m auf max. 100 m. Die drei optional erhältlichen Prismen-Reflektoren werden mit dem bereits vorhanden Prismen-Reflektor zu einer quadratischen Fläche montiert.

6500-MMK/BEAMMMK

Der Befestigungs-Satz ermöglicht die Decken-/Wandmontage des Melders oder des Prismen-Reflektors. Hierbei darf die zulässige Abweichung von der optischen Achse größer als 10° betragen. Wird zur Montage der Sender-/Empfänger-Einheit der Befestigungs-Satzes MMK verwendet, ist zusätzlich das Distanzstück 6500-SMK/BEAMSMK erforderlich.

Die Montage eines einzelnen 20cm x 20cm großen Prismen-Reflektors ist ohne weiteres Zubehör möglich. Der Montage-Satz 6500-LRK/BEAMLRK kann nicht in Verbindung mit dem Befestigungs-Satz MMK montiert werden.

6500-SMK/BEAMSMK

43 mm langes Distanzstück zur aP-Montage der Sender-/Empfänger-Einheit (nur in Verbindung mit dem Befestigungs-Satz 6500-MMK/BEAMMMK). Durch die seitlichen Kabeleinführungen werden die Verkabelungsarbeiten der Sender-/Empfänger-Einheit erleichtert.

RTS151KEY

Mit der abgesetzten Test- und Parallelanzeige kann der Melder fernausgelöst und zurückgesetzt werden. Eine rote LED signalisiert den Alarmzustand. (Anm.: Das Gehäuse muss – falls benötigt – separat bestellt werden (Bestellnummer WM2348.)

MONTAGE DER SENDER-/EMPFÄNGER-EINHEIT

Montageort

Der Installationsort des Melders muss den landestypischen Vorschriften und Richtlinien, z.B. DIN VDE 0833 Teil 2 entsprechen. Weiterführende Informationen zum Melder erhalten Sie durch ihren Lieferanten.

Montageposition

Um einen störungsfreien Betrieb des Melders gewährleisten zu können, ist eine stabile Montagefläche erforderlich. Zur Vermeidung von Falschalarmen oder Störungen ist die Montage auf beweglichen, mitschwingenden oder schwankenden Befestigungsflächen nicht zulässig. Die vorherige Auswahl einer geeigneten Montagefläche verhindert Störungen und Störungssignale. Montieren Sie den Melder auf eine dauerhafte, stabile Montagefläche wie z.B. aus Stein, Beton, tragende Wände, Deckensäulen, Profilleistenträger oder anderen Montageflächen, an denen keine Schwingungen oder Veränderungen zu erwarten sind. Die Montage des Melders ist nicht zulässig auf Wellblech-Wänden, Blechwänden, an externen Gebäudeverschalungen, schrägen Flächen, an abgehängte Decken, Stahlgeflecht-Dachstühle, Sparren, nicht tragende Balkenträger, Träger oder anderen ähnlichen Oberflächen. Im Gegensatz zum Melder sind die Montageanforderungen an den Prismen-Reflektor nicht ganz so kritisch und eine stabile Montagefläche aus Stein ausreichend. Um Störungen und Störungssignale zu vermeiden, ist die maximal zulässige Abweichung von der optischen Achse gemäß der Spezifikation einzuhalten.

Montageanforderungen

- Der Strahlenweg zwischen dem Melder und dem Prismen-Reflektor muss immer frei bleiben.
- Um Störungen durch reflektierende Objekte zu vermeiden, müssen diese einen seitlichen Mindestabstand von 380 mm vom Melder und Prismen-Reflektor aufweisen.
- Der Melder ist vor direkter Sonneneinstrahlung und vor starken Lichtquellen zu schützen. Hierbei muss ein Winkel von min. 10° zwischen Lichtquelle und Strahlenweg eingehalten werden.
- Der Betrieb des Melders durch Glasscheiben ist zu vermeiden. Ist dieses dennoch erforderlich, darf der Winkel von der optischen Achse maximal 10° betragen. Der Betrieb durch mehrere Glasscheiben ist zu vermeiden.

Montage

Der Melder wird mit der rückseitigen Kabeleinführung direkt auf die Montagefläche montiert. Zur sicheren Befestigung des Melders ist das Gehäuse mittels der vier Befestigungslöcher in den Gehäuseecken der Rückwand zu befestigen. Für die Wandmontage ist es erforderlich, dass alle vier Sicherungsschrauben des Gehäusedeckels entfernt werden.

Die Verkabelung des Melders wird durch das Installationszubehör 6500-SMK/BEAMSMK oder 6500-MMK/BEAMMMK erleichtert. Weiterführende Informationen sind der jeweiligen Installationsanleitung zu entnehmen.

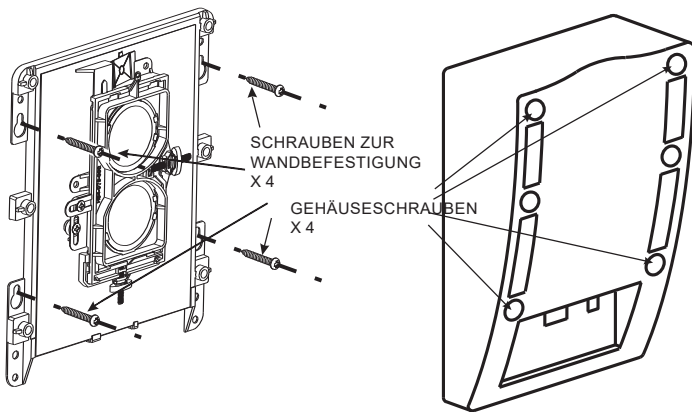


Abbildung 1: Wandmontage der Sender-/Empfänger-Einheit

Der Prismen-Reflektor wird mittels der vier Befestigungslöcher in jeder Ecke, direkt auf der Montagefläche befestigt. Hierbei muss die Reflektorfläche rechtwinklig zum Strahlenweg des Melders montiert werden. Der maximal zulässige Toleranzwinkel darf 10° betragen. Ist der Winkel größer, ist zusätzlich der Befestigungssatz MMK erforderlich. Weiterführende Informationen zum Befestigungssatz MMK sind der Installationsanleitung zu entnehmen.

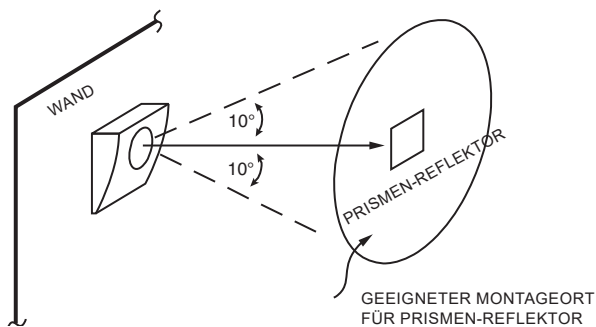


Abbildung 2a: Richtlinien zur Montage des Prismen-Reflektors

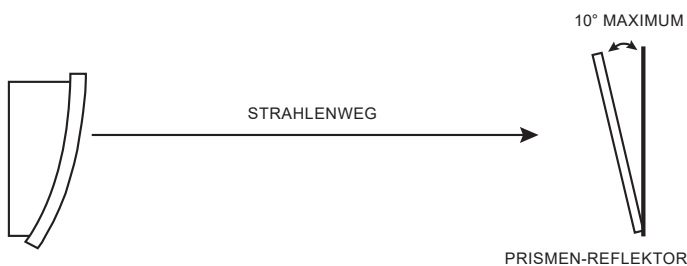


Abbildung 2b: Richtlinien zur Montage des Prismen-Reflektors

ANSCHLUSSKABEL

Hinweis: Die Verkabelung muss den örtlichen Anforderungen entsprechen.
Warnung: Arbeiten an der Anlage dürfen ausschließlich von autorisiertem Wartungspersonal durchgeführt werden.

An die steckbaren Anschlussklemmen des Melders können Kabelquerschnitte von 0,3mm² bis 3,2mm² angeschlossen werden. Zur Erhöhung der Betriebssicherheit sind abgeschirmte Anschlussleitungen zu verwenden. Einschränkungen in der Kabelspezifikation sind der Zentralenbeschreibung zu entnehmen.

Warnung!

Alle Eingänge und Ausgänge sind 0V-aktiv.

Es dürfen keine anderen Spannungen mit diesen Anschlüssen verbunden werden ansonsten kann es zu Schäden an dem Gerät kommen.

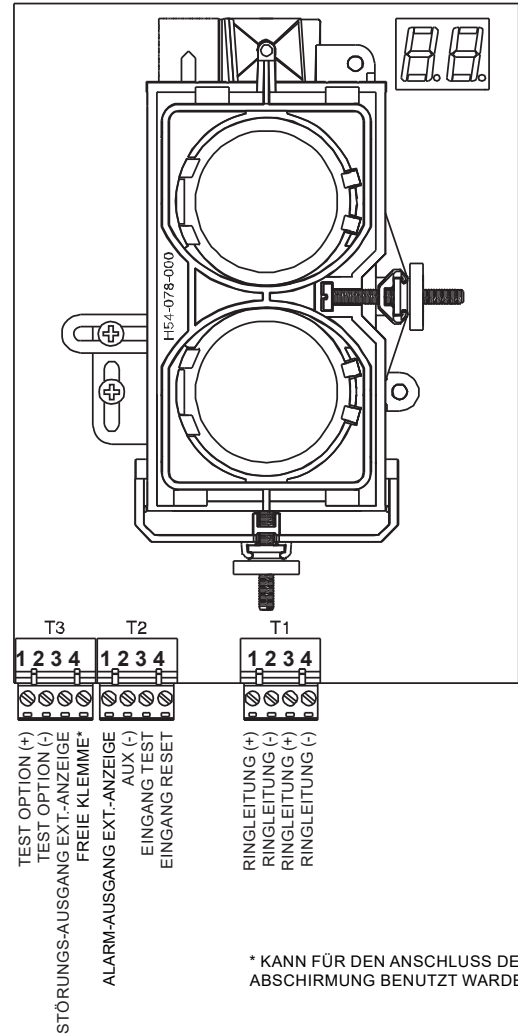
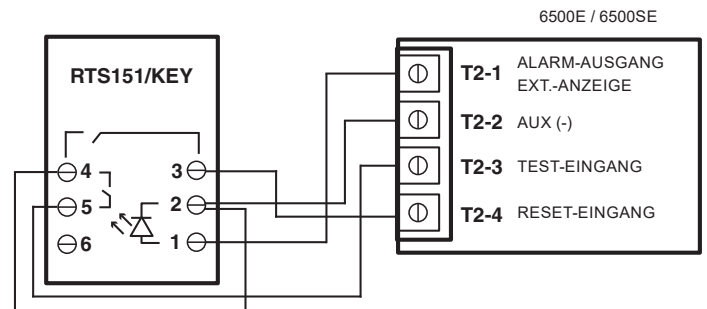


Abbildung 3: Anschlussbelegung der Melderklemmleisten



DIE MAX. ANSCHLUSSLEISTUNG RTS151KEY ENTNEHMEN SIE BITTE DER INSTALLATIONSANLEITUNG

Abbildung 4: Verdrahtung RTS151KEY

Signal Name	Klemme	Normalzustand	Aktivierungs-zustand	Bemerkung
Reset-Eingang	T2-4	Hochohmig	0V	Kurzfristige Verbindung nach Aux- zur Aktivierung
Test Eingang	T2-3	Hochohmig	0V	Kurzfristige Verbindung nach Aux- zur Aktivierung
Aux-	T2-2	0V	-	Intern verbunden mit Versorgungsspannung -
Alarm Ausgang	T2-1	Hochohmig	+24V	Mit 2.2k ohms Widerstand Strombegrenzung
Störungs-Ausgang	T3-3	Hochohmig	+24V	Mit 2.2k ohms Widerstand Strombegrenzung

Tabelle 0: Eingangs- und Ausgangssignale

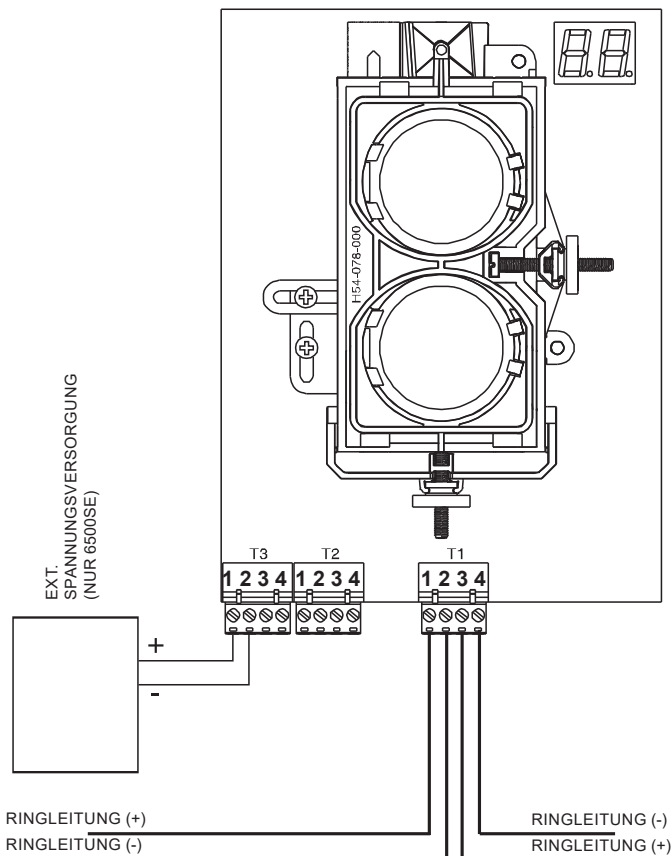


Abbildung 5: Verdrahtungsdiagramm

ADRESSIERUNG

Die Adressierung des Melders erfolgt mittels zweier Drehschalter auf der linken Seite der optischen Baugruppe. Mit einem geeigneten Schraubendreher ist die erforderliche Melderadresse (siehe Abbildung 6) im Adressierungsbereich von 1 bis 159 einzustellen (Beachten Sie die maximal mögliche Anzahl von Meldern die die Brandmelderzentrale unterstützt (siehe Bedienungsanleitung der Brandmelderzentrale). Eine Sperre in dem **Zehner-Adressschalter** muss entfernt werden für Zentralen, die mehr als 99 Melder-Adressen verarbeiten können.

KURZSCHLUSS-ISOLATOR

Die Melderelektronik ist bauseitig mit einem Kurzschluss-Isolator ausgerüstet. Die Isolator-Funktionalität kann mittels zweier Steckbrücken auf der Platine deaktiviert werden. Die Lage der Steckbrücken ist der Abbildung 6 zu entnehmen. Werkseitig sind die Steckbrücken zur Deaktivierung des Isolators gesteckt.

AUSRICHTUNGSVERFAHREN

Warnung: Um Störungen oder Alarmmeldungen zu unterdrücken, muss vor der elektrischen Inbetriebnahme der Melder ausgerichtet werden. Zur Unterdrückung von unerwarteten Alarmen, schalten Sie die zugehörige Meldergruppe ab, bevor die Versorgungsspannung angelegt wird.

Die Ausrichtung des Melders 6500E erfolgt in vier Schritten: grobe Ausrichtung, Feinjustierung, Einstellung der End-Verstärkung und die Abschlussprüfung. Es ist notwendig, dass alle vier Schritte richtig ausgeführt werden, um die ordnungsgemäße Ausrichtung des Melders gewährleisten zu können.

Vorprüfung - Ausrichtung

- Stellen Sie sicher, dass der Melder und auch der Prismen-Reflektor auf einer geeigneten Montagefläche installiert ist.
- Stellen Sie sicher, dass die Verkabelung richtig und die Anschlussklemmen fest auf der Platine aufgesteckt sind.
- Zur Unterdrückung von Störeinflüssen, sind bewegliche Anschlussleitungen nach der Ausrichtung gegen Verlagerung zu sichern.
- Stellen Sie sicher, dass die erforderlichen Prismen-Reflektoren für den zulässigen Abstand verwendet werden.
- Stellen Sie sicher, dass sich keine Objekte zwischen dem Melder und dem Prismen-Reflektor befinden. Weiterhin dürfen sich im

näheren Umfeld seitlich zur Strahlachse (mindestens 380mm) keine reflektierenden Objekte befinden.

- Stellen Sie sicher, dass die Achswinkel des Melders und des Prismen-Reflektors eingehalten werden.
- Zur Vermeidung von unerwünschten Alarmen, schalten Sie die erforderliche Meldergruppe oder das System ab, bevor der Melder in Betrieb genommen wird.
- Stellen Sie sicher, dass die Betriebsspannung des Melders "eingeschaltet" ist.
- Normalerweise sollte sich immer nur ein Gerät im Einstellmodus befinden aufgrund des erhöhten Stromverbrauchs während Ausrichtung.

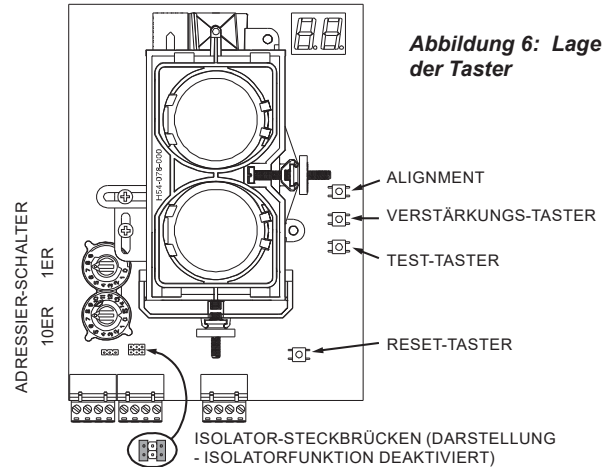


Abbildung 6: Lage der Taster

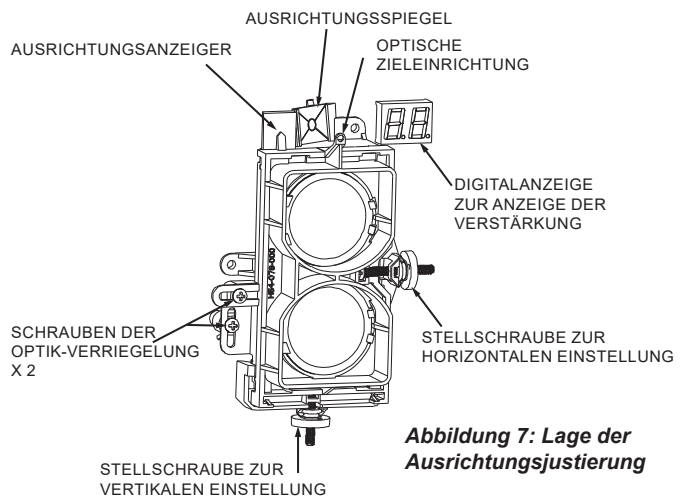


Abbildung 7: Lage der Ausrichtungsjustierung

Schritt 1. Grobe Ausrichtung

Siehe Abbildung 6 und 7.

1. Stellen Sie sicher, dass beide Schrauben der Optik-Verriegelung soweit gelöst sind, dass die Optik frei bewegt werden kann.
2. Sehen Sie in den Ausrichtungsspiegel. Der Prismen-Reflektor muss durch die optische Zieleinrichtung (Öse) sichtbar sein. Dieser Arbeitsschritt erfordert etwas Übung. Durch die Kennzeichnung des Prismen-Reflektors-, mit Hilfe des orange-farbenen Aufklebers, ist dieser leichter auf einer größeren Entfernung erkennbar.
3. Nachdem der Prismen-Reflektor im Ausrichtungsspiegel sichtbar ist, muss das Spiegelbild mittels der Stellsschrauben zur horizontalen und vertikalen Positionierung mittig im Ausrichtungsspiegel eingestellt werden. Vorsicht: Ist in diesem Schritt die Optik nicht richtig positioniert, ist es nicht möglich den folgenden Schritt durchzuführen.

Beachten Sie bitte, dass das grobe Ausrichtungsverfahren nicht ausreichend ist. Es dient lediglich zur Vorbereitung des nächsten Schrittes. Ansonsten kann die Feinjustierung mittels der Zieleinrichtung zur mittigen Positionierung des Prismen-Reflektors nicht durchgeführt werden.

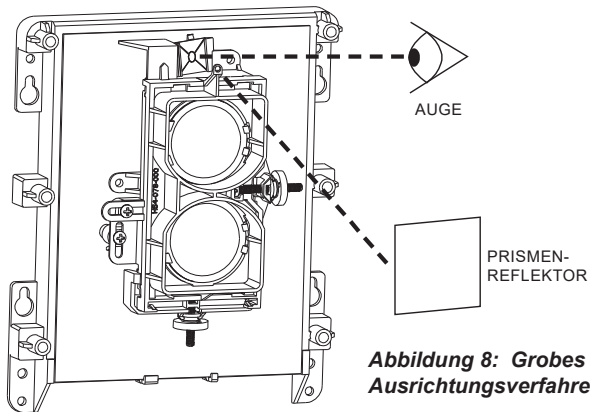


Abbildung 8: Grobes Ausrichtungsverfahren

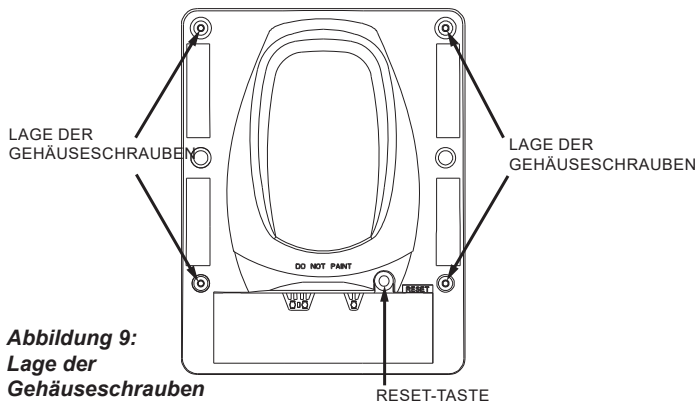


Abbildung 9: Lage der Gehäuseschrauben

Schritt 2. Feinjustierung

Siehe Abbildung 6 bis 8.

1. Stellen Sie sicher, dass sich kein Hindernis zwischen dem Melder und dem Prismen-Reflektor befindet.

2. Durch Drücken der Ausrichtung-Taste wird der Ausrichtungsbetrieb aktiviert. Die gelbe LED und die Digitalanzeige werden eingeschaltet. Auf der Digitalanzeige wird der Verstärkungsfaktor "- ." angezeigt. Nach einem kurzen Moment sollte ein Zahlenwert um 20 angezeigt werden.

Hinweis: Wird auf der Digitalanzeige "Lo" angezeigt, wird nicht genügend Licht vom Prismen-Reflektor reflektiert. Kehren Sie zurück zur Ausrichtung und überprüfen Sie, ob die Anzahl der Prismen-Reflektoren für die zu überwachende Strecke ausreichend ist. Auf der Digitalanzeige wird so lange "Lo" angezeigt, bis genügend Licht von dem Prismen-Reflektor zurück geworfen wird, um die Feinjustierung weiter durchführen zu können.

Hinweis: Im Ausrichtungsbetrieb (gelbe LED und Digitalanzeige aktiviert) ist die Test-Taste und die Taste zur Einstellung der Empfindlichkeit deaktiviert.

3. Sobald ein Zahlenwert angezeigt wird, versuchen Sie, durch gleichzeitiges Drehen der Stellschrauben, zur horizontalen und vertikalen Positionierung den Zahlenwert zu erhöhen. Führen Sie anschließend die horizontale und vertikale Feinabstimmung getrennt voneinander durch, bis jeweils ein Maximalwert angezeigt wird. Wird der Wert 90 erreicht, wird automatisch der Verstärkungsfaktor herabgesetzt. Während dieser Berechnung wird auf der Digitalanzeige "- ." angezeigt. Unterbrechen Sie jetzt die Feinabstimmung, bis erneut ein Zahlenwert angezeigt wird. Dieses Verfahren kann während der Feinabstimmung mehrfach durchgeführt werden.

4. Ist der Maximalwert ermittelt worden, wird durch Drücken der Ausrichtung-Taste die Feinabstimmung beendet. Die Digitalanzeige wird ausgeschaltet und die gelbe LED bleibt aktiviert.

Hinweis: Muss die Feinabstimmung mehrfach wiederholt werden, wird der Zahlenwert 90 nicht mehr erreicht. Somit ist es schwierig, einen hohen Zahlenwert für den Verstärkungsfaktor wiederholt zu erreichen. Jeder erreichte Höchstwert ist bei der Feinabstimmung annehmbar.

5. Stellen Sie sicher, dass beide Schrauben der Optik fest angezogen sind.

Zu diesem Zeitpunkt ist es ratsam die Empfindlichkeit des Melders mit Hilfe der Empfindlichkeits-Taste und der Digitalanzeige einzustellen. Für weiterführende Informationen siehe EMPFINDLICHKEITSAUSWAHL.

Schritt 3. End-Verstärkungseinstellung

Siehe Abbildung 9.

In diesem Schritt erfolgt die endgültige Einstellung der Verstärkung. Für diesen Schritt ist es erforderlich, das Gehäuseoberteil wieder zu montieren, da sich die Empfangseigenschaften des reflektierten Lichts hierdurch verändern.

1. Montieren Sie das Gehäuseoberteil des Melders. Das Gehäuseoberteil wird mittels der vier Gehäuseschrauben in den Ecken befestigt.

Hinweis: Um den Melder vor Korrosion und Feuchtigkeit zu schützen, ist das Gehäuse mit einer Dichtung ausgerüstet. Um sicherzustellen, dass die Dichtung das Gehäuse richtig abdichtet, müssen alle vier Gehäuseschrauben gleichmäßig fest angezogen werden.

2. Entfernen Sie die äußere Schutzfolie von dem Gehäusedeckel. Beachten Sie bitte, dass ggf. Folienrückstände von der Gehäuseoberfläche ebenfalls entfernt werden. Verwenden Sie hierzu ausschließlich ein weiches, feuchtes Tuch. Verwenden Sie keine Lösungsmittel.

3. Durch Drücken der Reset-Taste mit einem geeigneten Werkzeug, wird die letzte Verstärkungseinstellung durchgeführt. Nachdem die Taste gedrückt worden ist, beginnt die gelbe LED zu blinken. Die gelbe LED wird deaktiviert, nachdem die automatische Einstellung durchgeführt worden ist. Ist die Einstellung erfolgreich durchgeführt worden, blinkt die grüne LED (abhängig von der Zentralenbetriebsart).

Hinweis: Bei diesem Schritt ist sicherzustellen, dass Sie sich nicht zwischen dem Melder und dem Prismen-Reflektor befinden.

4. Die dekorative Abdeckung der Optik wird mittels Schnappverschluss auf dem Außengehäuse befestigt.

Hinweis: Bevor Sie mit diesem Schritt fortfahren, sollte die ggf. lackierte Gehäuseabdeckung vollständig trocken sein.

Schritt 4. Letzte Überprüfung

Dieser Schritt erfordert eine richtige Installation des Melders, sowie die korrekte Einstellung der Empfindlichkeit zur Rauchererkennung.

1. Schirmen Sie den Prismen-Reflektor mit einem nicht-reflektierenden, undurchsichtigen Material ab (abhängig von der Zentralenbetriebsart kann die grüne LED blinken). Nach ca. 30 Sekunden sollte der Melder einen Alarm oder eine Störung erkennen. Wird die Alarm- oder Störungsmeldung nicht erkannt, ist eine Überprüfung der Einstellung des Melders erforderlich (wiederholen Sie Schritt 2 bis Schritt 4).

2. Beenden Sie, wie im nachfolgenden Kapitel ÜBERPRÜFUNG DER EMPFINDLICHKEIT beschrieben, die Überprüfung der Melderempfindlichkeit.

EINSTELLUNG DER EMPFINDLICHKEIT

Die Empfindlichkeit des Melders kann nur bei entferntem Gehäuseoberteil durchgeführt werden. Hierzu darf sich der Melder nicht in der Feinjustierung befinden. Um den Auswahlmodus aufzurufen, drücken Sie die Empfindlichkeits-Taste (siehe Abbildung 6). Auf der Digitalanzeige wird die eingestellte Melder-Empfindlichkeit in prozentualer Dämpfung angezeigt. Durch erneutes Drücken der Empfindlichkeits-Taste wird die nächste Einstellung zur Auswahl der Empfindlichkeit angezeigt. Erfolgt bei dieser Einstellung kein weiterer Tastendruck, wird die angezeigte Empfindlichkeit (siehe Tabelle 1) gespeichert.

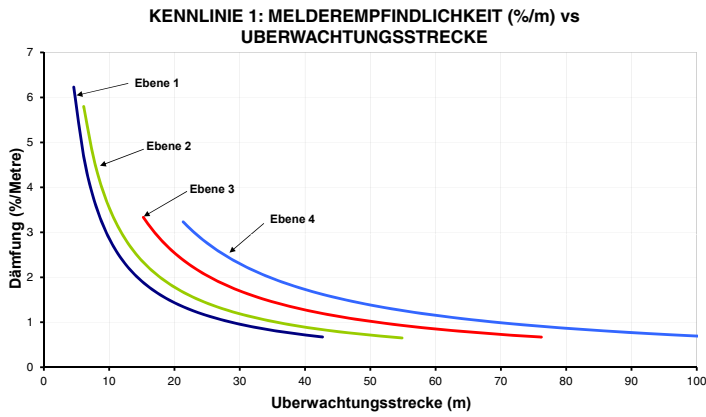
Ansprechempfindlichkeit	% Dämpfung	Display-Anzeige
Ebene 1	25	25
Ebene 2	30	30
Ebene3	40	40
Ebene4	50	50
Acclimate Ebene 1	30 bis 50	A1
Acclimate Ebene 2	40 bis 50	A2

Tabelle 1: Einstellung der Empfindlichkeit

HINWEIS: Nur die Stufen 1 - 3 sind nach EN54-12: 2015 zugelassen

Zu den vier Standard-Einstellungen können zusätzlich zwei einstellbare Pegel gewählt werden. Bei dieser Auswahl wird softwaremäßig die optimale Melderempfindlichkeit für die vorherrschenden Umgebungsbedingungen eingestellt.

Die automatische Einstellung der Melderempfindlichkeit erfolgt gemäß der Kennlinie 1. Hierbei kann die prozentual angezeigte Dämpfung in die Entfernungsangabe der Messstrecke umgesetzt werden. Für jeden einstellbaren Pegel ist % Dämpfung in eine Entfernungsangabe übertragbar.



EMPFINDLICHKEITSTEST

Hinweis:

- Informieren Sie rechtzeitig über anstehende Wartungsarbeiten die nur durch eingewiesenes Fachpersonal durchgeführt werden dürfen. Schalten Sie die erforderliche Meldergruppe zur Vermeidung von Alarmauslösungen ab.

Nach der Installation und zu den angegebenen Wartungszyklen muss der Melder überprüft werden. Die Melderempfindlichkeit des Melders 6500E wird wie folgt überprüft:

Geeichter Testfilter

Die Empfindlichkeit des Melders kann mit einem undurchsichtigen und nicht-reflektierenden Material getestet werden (z.B. diese Anleitung) indem der Reflektor um den an der Skala des Reflektors angezeigten Wert abgedeckt wird, siehe Abb. 10.

- Überprüfen Sie die Einstellung zur prozentualen Dämpfung des Melders. Ist die Melder-Empfindlichkeit nicht bekannt, sehen Sie bitte im erforderlichen Kapitel zur Einstellung der Melder-Empfindlichkeit nach.
- Bedecken Sie den Prismen-Reflektor mit einem Wert, der um 10 Skaleneinteilungen kleiner ist als der prozentuale Wert der eingestellten Dämpfung. Eine Alarm- oder Störungsmeldung darf nicht erfolgen. Halten Sie die Abdeckung für mindestens 1 Minute vor den Prismen-Reflektor.
- Bedecken Sie jetzt den Prismen-Reflektor mit einem Wert, der um 10 Skaleneinteilungen größer ist als der prozentuale Wert der eingestellten Lichtdämpfung. Innerhalb 1 Minute muss eine Alarmierung erfolgen.
- Der Melder kann mittels Reset-Taste oder durch einen Fern-Reset zurückgesetzt werden.

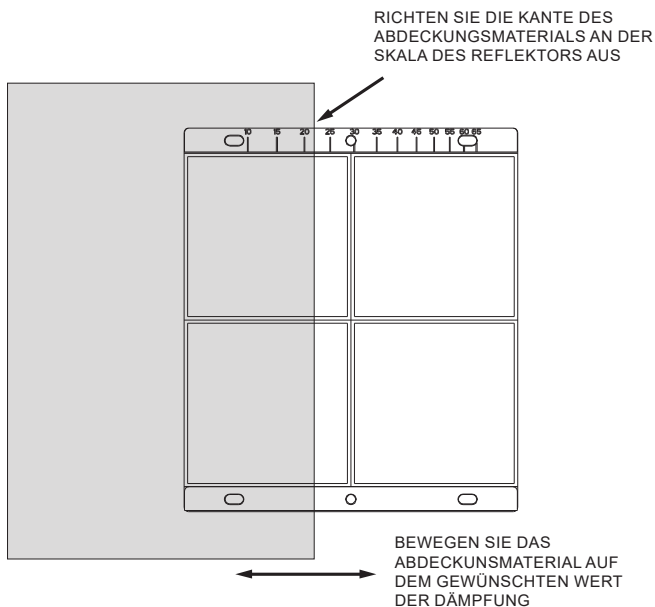


Abbildung 10. Prismen-Reflektorverfahren

Fehlerüberprüfung

Verläuft die Überprüfung des Melders oder der Melder-Empfindlichkeit nicht wie erwartet, sollten Sie die Inbetriebnahme-Schritte erneut durchführen, bevor Sie den Melder zur Überprüfung zurückgeben.

Diese beinhaltet folgende Schritte:

- Überprüfen Sie alle elektrischen Anschlussleitungen, sowie die Spannungsversorgung des Melders.
- Stellen Sie sicher, dass der Strahlenweg nicht durch ein Hindernis versperrt ist oder durch Fremdlichtquellen inkl. reflektierende bzw. glänzende Oberflächen gestört wird.
Es ist zwingend erforderlich, dass mindestens 90% der empfangenen Lichtmenge nur von dem Reflektorspiegel stammt. Anderenfalls ist eine ausreichende Empfindlichkeit nicht gewährleistet.
- Wenden Sie das Wartungsverfahren gemäß der Installationsanleitung an. Wiederholen Sie den Test. Ist dieses immer noch nicht erfolgreich, fahren Sie mit Schritt 4 fort.
- Wiederholen Sie die Ausrichtung gemäß dieser Anleitung. Ist die Ausrichtung erfolgreich, wiederholen Sie den Test. Anderenfalls, sollte der Melder zur Überprüfung zurückgegeben werden.

6500E LINIENFÖRMIGER RAUCHMELDER: KURZANLEITUNG ZUR INBETRIEBNAHME

Ausrichtung des Beams – stellen Sie sich, dass die Versorgungs-spannung anliegt.

Ablauf Ausrichtung

Wird mithilfe der Zieleinrichtung durchgeführt
Einstellung erfolgt mit den Rändel-Schrauben

Feinabgleich

Aktivierung durch den Taster **Alignment**

Die Ausrichtung wird fortgeführt mit den Rändelschrauben Wenn der Ausricht-Prozess abgeschlossen ist, erneut den Taster **Alignment** betätigen

Einstellung der Empfindlichkeit

Benutzen Sie den Taster **Sensitivity**

Abschließende Einstellung der Verstärkung – Stellen Sie sicher, dass der Frontdeckel montiert ist Aktivierung durch den Taster **Reset**

Der Prozess ist abgeschlossen wenn die grüne LED blinkt

Abschließende Überprüfung

Benutzen Sie die Dämpfungsfilter oder eine Reflektor Testkarte um ein Störungs- und Alarmsignal zu erzeugen

WARTUNG

Hinweis: Bevor Sie den Melder reinigen, informieren Sie bitte rechtzeitig die entsprechenden Stellen über anstehende Wartungsarbeiten, weil das System während dieser Zeit nicht in Betrieb ist. Schalten Sie die erforderliche Meldergruppe oder den Melder zur Vermeidung von Alarmauslösungen ab.

- Reinigen Sie die Optik des Melders sorgfältig. Hierfür kann ein weiches Tuch mit einer Seifenlauge verwendet werden. Vermeiden Sie Lösungsmittel oder Ammoniak.
- Reinigen Sie den Prismen-Reflektor sorgfältig. Hierfür kann ein weiches Tuch mit einer milden Seifenlauge verwendet werden. Vermeiden Sie Lösungsmittel oder Ammoniak.

Funktionstest

Bei der zyklischen Wartung kann der Funktionstest des Melders durch die interne Test-Taste oder per Fernauslösung mittels der geeichten Testfilter-Methode überprüft werden.

Der Lineare Rauchmelder 6500E kann mit den abgesetzten Test- und Anzeigeeinrichtungen RTS151KEY geprüft werden. Der Anschlussplan für die Verbindung von 6500(S)E und Schüsselschalter befindet sich auf Seite 2 dieser Anleitung.

Folgende Hinweise sind zur richtigen Verwendung der Fernauslösung zu beachten.

Der Melder 6500SE ist mit einem motorbetriebenen, geeichten Testfilter ausgerüstet. Der Testfilter ist innerhalb der Melderoptik integriert. Der Testfilter wird automatisch durch Drücken der melderinternen Test-Taste oder mittels der Fernauslösung in den Strahlenweg gelenkt. Die Alarmmeldung wird aktiviert, nachdem die Melderoptik ausreichend durch den Filter abgedeckt worden ist. Eine Störungsmeldung wird erkannt, wenn die angezeigte Melderempfindlichkeit außerhalb der Toleranz zur empfangenen Lichtmenge steht.

Hinweis: Dieser Test erfüllt die Anforderungen für die zyklische Wartung.

Ist der Funktionstest des Melders nicht erfolgreich, gehen Sie gemäß der Fehlerüberprüfung vor.

LACKIERUNG

Die Gehäuseabdeckung kann mit Emaille- oder Acrylfarbe lackiert werden.

Hinweis: Die Gehäuseabdeckung der Optik darf nicht lackiert werden.


BETRIEBSARTEN UND HINWEISE ZUR STÖRUNGSBEHEBUNG

Betriebsart	Rot siehe u.a. Hinweis	Gelb	Grün siehe u.a. Hinweis	Fernanzeige	2-stellige Digitalanzeige	Störungsursache	Hinweise & Tipps zur Störungsbehebung
Normal	Aus	Aus	Blinkt	Blinkt	Aus	Melderinitialisierung erfolgreich oder Melder-Reset	
Ausrichtung	Aus	Ein	Blinkt	Blinkt	Ein, relativer Wert des Signals 0 – 99 oder " – " autom. Reset der Verstärkung oder "Lo" Signal ist zu klein	Ausrichtungs-Taster	
Alarm	Ein	Aus	Aus	Ein	Aus	Rauch, Tesfilter, RTS151KEY, Testgerät	
Störung: Ende der Meßwertmachführung erreicht	Aus	Blinkt 3 x schnell	Blinkt	Blinkt	Aus	Langzeitkompensation außerhalb des gültigen Bereiches Das Gerät wird empfindlicher für Täuschungsalarme	- Sender-/Empfänger und Reflektor-Spiegel reinigen
Störung: Signalpegel zu hoch	Aus	Blinkt 2 x schnell	Blinkt	Blinkt	Aus	Erhöhung des reflektierten Signals	- Überprüfen Sie die Strecke zwischen Melder und Reflektor-Spiegel auf reflektierende Oberflächen - Sonnenlicht wir durch den Reflektor-Spiegel reflektiert
Störung: Strahlenweg ist blockiert	Aus	Blinkt 4 x schnell	Blinkt	Blinkt	Aus	Strahlenweg ist blockiert	- beseitigen Sie das Hindernis - Störungsanzeige
Initialisierung: Betriebsspannung ein	Aus	Blinkt bis beendet	Blinkt	Blinkt	Aus	Melder kurzzeitig spannungsfrei schalten	
Initialisierung: Ausrichtung beendet	Aus	Blinkt bis beendet	Blinkt	Blinkt	Aus	Drücken Sie den RESET-Taster nach der Ausrichtung	
Vor-Ort Test: Ergebnis nach Durchführung	ein	Zeigt das Maß der Driftkompensation an	Aus	Ein	Aus	BMZ oder RTS151KEY / Schlüssel Test-Eingang	Alarm bis Melder-Reset
Local Test: Fehler nach Durchführung	Aus	Ein bis Reset oder Zeitüberschreitung	Blinkt	Blinkt	Aus	BMZ oder RTS151KEY	Störung bis Melder-Reset oder Zeitüberschreitung

Hinweis: Die Betriebsart der grünen und roten LED ist abhängig von der Brandmelderzentralen-Programmierung. Zum Beispiel kann die grüne LED nicht für die Betriebsart "Normal", blinkend programmiert werden.

Blinkmodus der gelben LED nach einem lokalen Meldertest:

Prozentwert der Driftkompensation	Anzahl des Melderblinkens
<10%	KEIN
<20%	1
<30%	2
<40%	3
<50%	4
<60%	5
<70%	6
<80%	7
<90%	8
<100%	9



1293 20
DOP-LBP024
EN54-12: 2015, EN54-17: 2005

6500(S)E
Lineare Rauchmelder
mit Prismen-Reflektor

Honeywell Products and Solutions Sàrl
(Trading as System Sensor Europe)
Zone d'activités La Pièce 16
CH-1180 ROLLE, Switzerland