

# PERTRONIC INDUSTRIES LTD INSTALLATION NOTE

## AA Conversion Module for NZ4512 MCP (AAMCP-MOD)

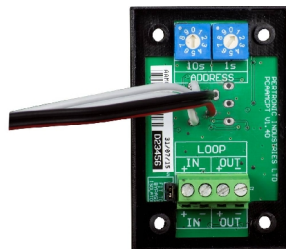


### Overview:

The Pertronic **Analogue Addressable MCP Conversion Module (AAMCP-MOD)** is designed to interface a conventional (NZS4512) manual call point with an analogue loop. The module may be used with an indicating or non-indicating manual call point.

### Features:

- » Interfaces a conventional manual call point to an AA loop
- » Twin wire tail (grey/white) for normally-closed manual call point switch
- » Twin wire tail (black/red) for indicating LED
- » 4-way screw terminal header for AA loop wiring
- » Low profile design
- » Electronic components protected from damage



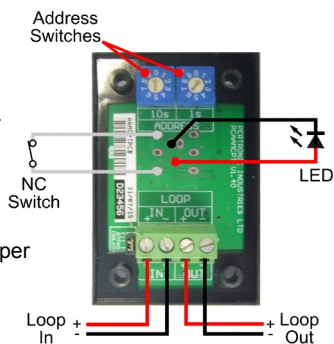
**Analogue Addressable  
MCP Conversion Module**

### Specifications:

- » Dimensions: 69 mm (length) x 46 mm (width) x 24 mm (depth)
- » Loop Connections 0.5 mm<sup>2</sup> to 2.5 mm<sup>2</sup>
- » Power Connection: Standard 100A and F120A analogue loop  
 Quiescent Current 1.8 mA  
 Alarm / Isolate Active Current 11 mA
- » Indicators: MCP Poll LED lights up, flashing Red.  
 MCP Activated LED lights up, steady (latched) Red.
- » Environmental: Operating Temperature -10 °C to 50 °C  
 Humidity 0 % to 95 % RH non-condensing

### Interface Module Wiring:

- » Set the desired analogue address on the address switches.
- » Connect the grey/white twin lead to a normally-closed switch contact in the manual call point.
- » Connect the black/red twin lead to the manual call point LED. Take care to observe correct polarity.
- » Connect the loop wiring to the screw terminals as shown in the diagram at right. Take care to observe correct polarity.
- » If the loop output is to be isolated from the loop input, remove the jumper at left of the screw terminals. Slip the jumper over one of the header pins, in case it is needed later. For example, installing the jumper makes it possible to check the continuity of loop wiring with an ohm-meter.
- »



### Ordering Information:

Product Code	Description
AAMCP-MOD	AA Conversion Module for NZ4512 MCP