

PSS3-LPSME Surface Mount Enclosure for PSS3-LP

Overview

The PSS3-LPSME surface mount enclosure allows the PSS3-LP Ceiling Speaker to be mounted when surface wiring is used. The PSS3-LP spring clamps makes for quick and easy fitting to the PSS3-LPSME surface mount enclosure.

Please note the PSS3 Standard Ceiling Speaker cannot be used with the PSS3-LPSME surface mount enclosure.



Specification

Colour:

Ral 9003

Material:

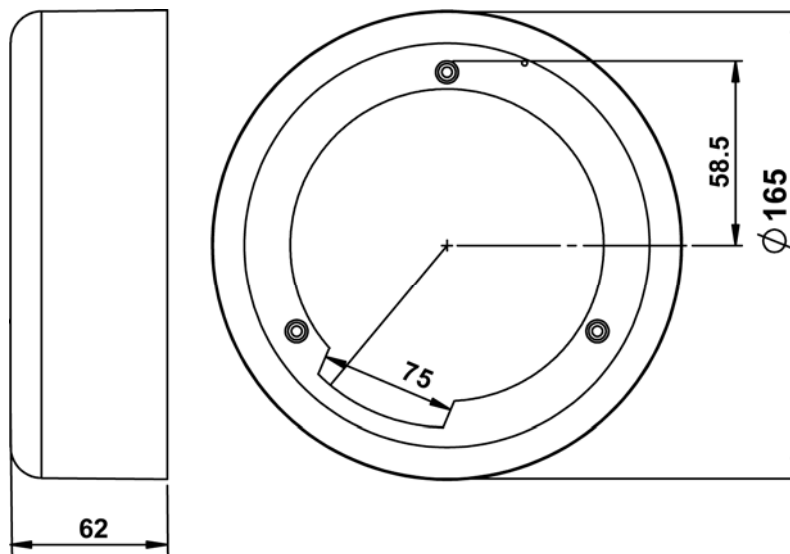
Polylac

Dimensions:

Diameter 165mm x Height 62mm

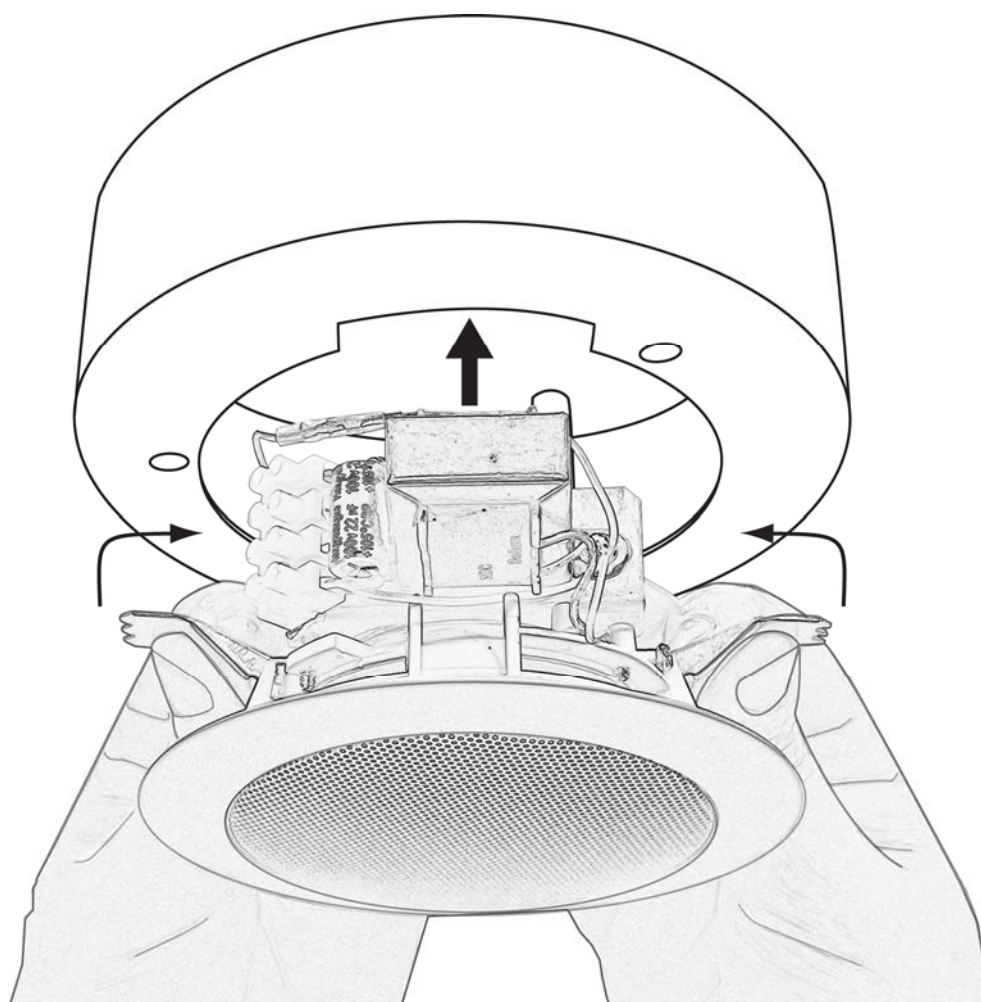
Weight:

100g



Mounting Instructions

1. Decide on suitable location for mounting of surface mount enclosure.
2. Mark then drill three holes to mount enclosure to ceiling or wall.
3. Cut out appropriate holes for conduit, there are four cut outs marked on the side of the enclosure.
4. Mount enclosure to location using three mounting screws appropriate to the applicable ceiling material used.
5. To secure speaker to enclosure, align speaker transformer with the cut out. Set the two spring clamps to the *Install position*.
6. Then push speaker assembly upwards until the clamps automatically engage as shown below.
7. To remove the speaker assembly from the enclosure, gently pull downward on dimple side first until the two clamps disengage. This stops the transformer from catching on the enclosure.



Order Code:

Product	Order Code
Surface Mount Enclosure for PSS3-LP	PSS3-LPSME
Low Profile 88mm 3W Ceiling Speaker	PSS3-LP