

# PERTRONIC INDUSTRIES LTD

## 8-way Responder Input Isolator Installation Note



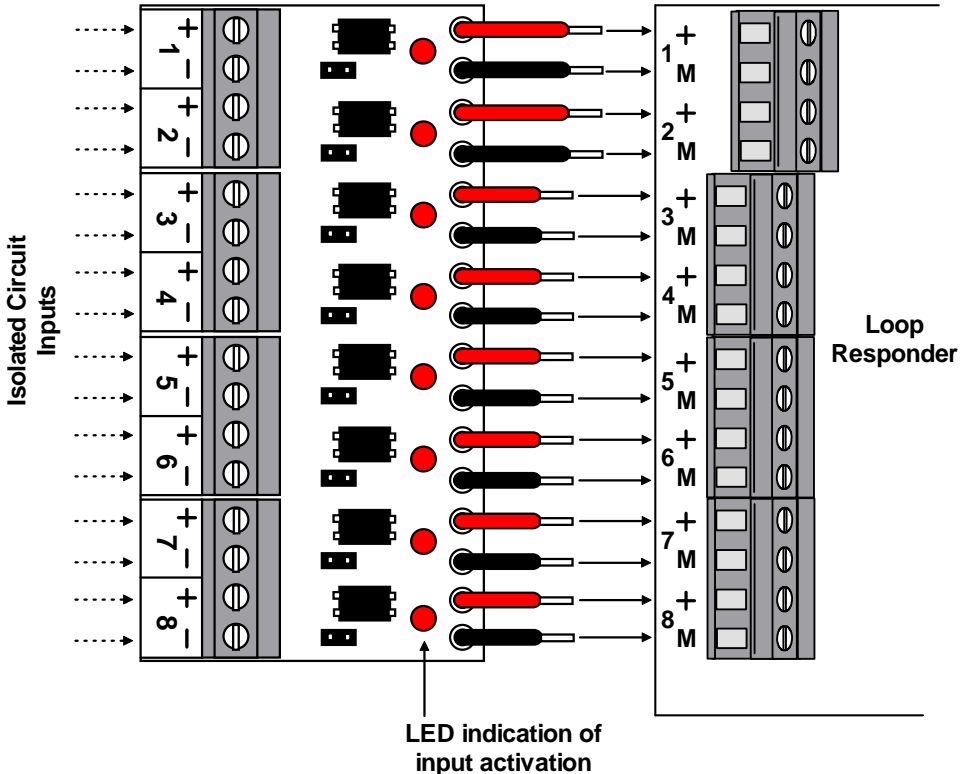
The Pertronic 8-way Responder Input Isolator board consists of 8 Isolated Interface Circuits to provide isolated inputs to a Pertronic Loop Responder.

### Specification:

Isolated Input Voltage range:	21V to 30V (Configuration 1 or 2 – see over).
Isolated Input activation current:	Limit to: >7 mA, < 20 mA.
Responder M clamp voltage:	Between 16V and 18V over the voltage and current ranges, this corresponds to the Indicating MCP/Heat Detector Alarm levels.

This device provides the Loop Responder with a 10K EOL monitoring resistor, features Red LED indication of input activation (Non – latching), and has a 1K5 current limiting resistor on the input of each isolated circuit.

### 8-way Responder Input Isolator Connections:



Pertronic is a registered trademark of Pertronic Industries Ltd

**PERTRONIC INDUSTRIES LTD**  
 17 Eastern Hutt Road, Wingate, Lower Hutt  
 P.O. Box 35-063, Wellington, New Zealand  
 8 way Responder Input Isolator Installation Note Issue 1 Sep 04

Telephone: (04) 567 3229  
 Fax: (04) 567 3644  
 email: sales@pertronic.co.nz

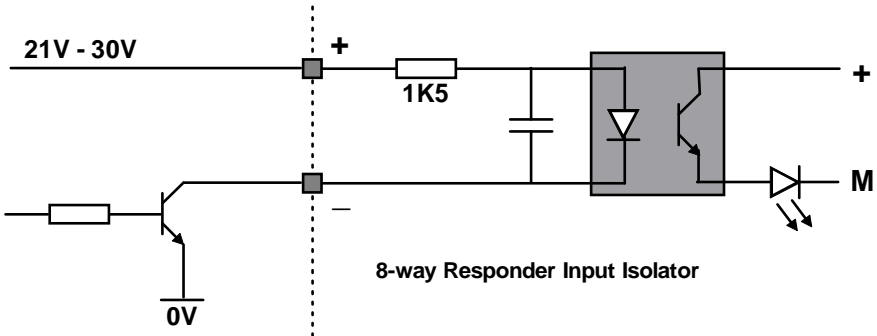
# PERTRONIC INDUSTRIES LTD

## 8-way Responder Input Isolator Installation Note

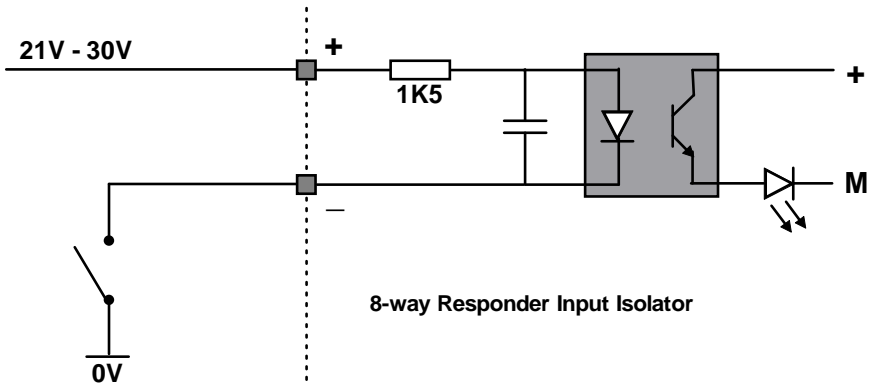


### Input Drive Configurations:

#### Configuration 1



#### Configuration 2



Pertronic is a registered trademark of Pertronic Industries Ltd

**PERTRONIC INDUSTRIES LTD**

17 Eastern Hutt Road, Wingate, Lower Hutt

P.O. Box 35-063, Wellington, New Zealand

8 way Responder Input Isolator Installation Note Issue 1 Sep 04

Telephone: (04) 567 3229

Fax: (04) 567 3644

email: sales@pertronic.co.nz