



### UL LISTED APPLICATIONS:

STI-8100 & STI-8130 GUARDS:

SENTROL MODELS: 611-UD, 612-UD, 721-UD, & 731-UD ARE LISTED FOR USE WITH WALL AND CEILING APPLICATIONS.

STI-8100 GUARD ONLY:

HONEYWELL MODEL TC806B1001, NOTIFIER MODEL FSP-751, EST MODEL 2251F, FCI MODEL ASD-PL, SECUTRON MODEL MRI-2251 AND SYSTEM SENSOR DETECTOR MODEL SSD-2251: CAN BE INSTALLED IN EITHER THE FLUSH MOUNTING OR SURFACE MOUNTING POSITION WITHOUT THE USE OF A SPACER FOR EITHER CEILING OR WALL CONFIGURATIONS. THE PORTION OF THE STI-8100 COVER IN CONTACT WITH THE MOUNTING SURFACE CAN BE FIELD CUT FOR CONDUIT OR WIREMOLD.

### NOTES:

- 1.) STI-8130 CONSISTS OF (1) STI-8100 COVER & (1) STI-8101 SPACER INCLUDING ALL STANDARD MOUNTING HARDWARE.
- 2.) INSTALLER SHALL FOLLOW NFPA 72 NATIONAL FIRE ALARM CODE (PROTECTIVE SIGNALLING SYSTEMS) FOR INSTALLATION TESTING AND MAINTENANCE.
- 3.) DO NOT PAINT THIS PRODUCT. PAINTING MAY OBSTRUCT THE FLOW OF SMOKE TO THE DETECTOR.

USING THE SPACER, OR THE COVER, AS A TEMPLATE-DRILL (4) HOLES.

STI-8100 - 3/16" DIA. USE 19018 ANCHOR OR STI-8130 - 1/4" DIA. USE 19033 ANCHOR

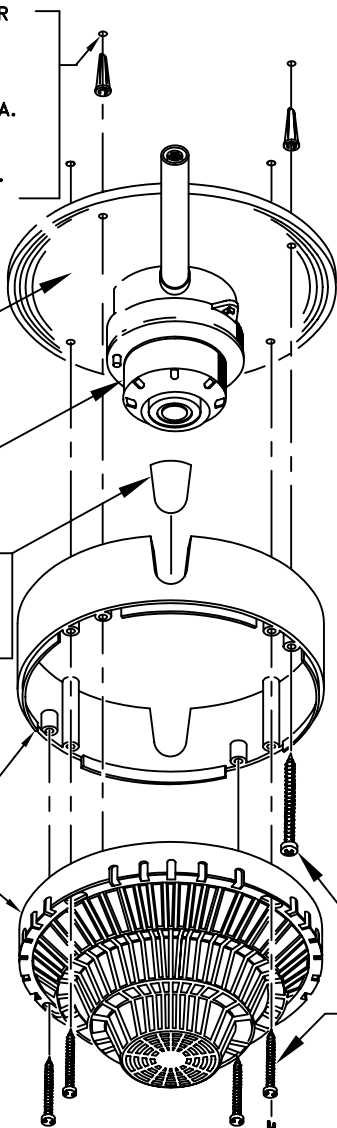
OPTIONAL: STI RECOMMENDS USING THE STI-8170 BACKPLATE TO ENSURE SUITABLE PROTECTION ON UNSTABLE MOUNTING SURFACES.

EXISTING SMOKE DETECTOR(SURFACE MOUNT WITH CONDUIT SHOWN)

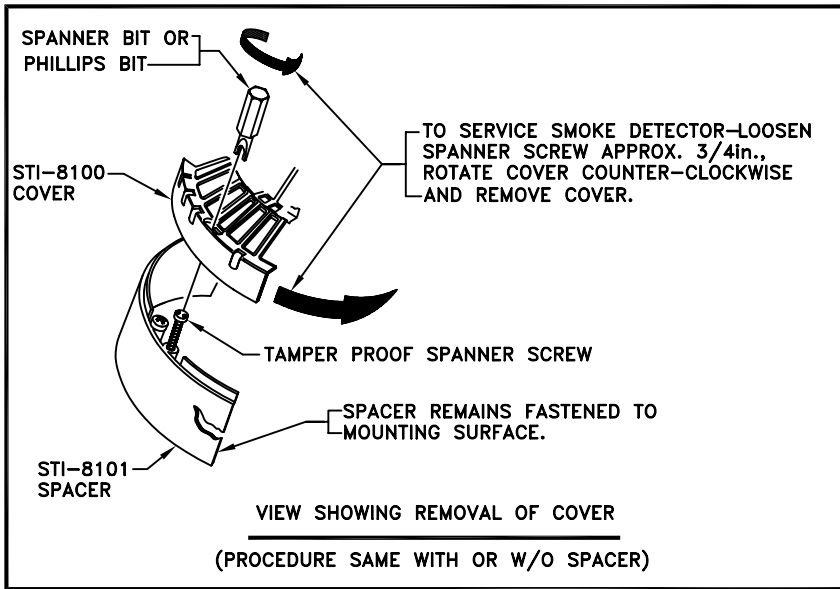
PLACE INSERT INTO SPACER NOTCH WHEN CLEARANCE FOR ELECTRICAL CONDUIT IS NOT NEEDED.

STI-8101 2" SPACER

STI-8100 COVER



19038 SPANNER BIT (NOT INCLUDED)



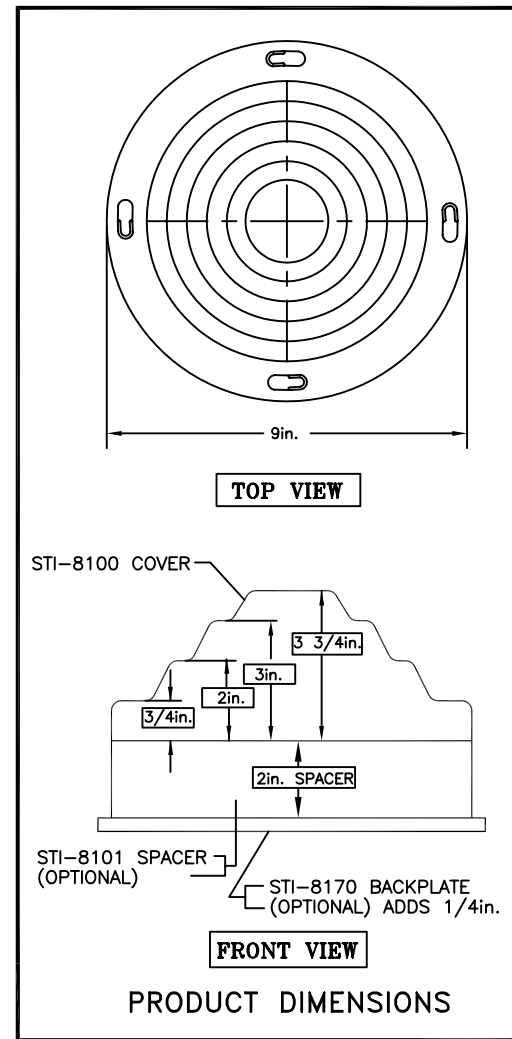
19026 SCREW #10 x 3-1/2 PHIL. PAN HD. 4 INCLUDED WITH STI-8100 & STI-8130

COVER MOUNTING SCREWS - 4 EACH STI-8100

19025 #8 x 2 PHIL. PAN HD. (INCLUDED)  
19035 #8 x 2 SPANNER TAMPER SCREW (OPTIONAL SUB-81)

STI-8101 & STI-8130

19028 #8 x 1-1/2 PHIL. PAN HD. (INCLUDED)  
19036 #8 x 1-1/2 SPANNER TAMPER SCREW (OPTIONAL SUB-82)



## INSTALLATION OF STI-8100 & STI-8130 SMOKE DETECTOR DAMAGE STOPPER

ALL SPECIFICATIONS AND INFORMATION SHOWN ARE CURRENT AS OF PUBLICATION, AND ARE SUBJECT TO CHANGE WITHOUT NOTICE.

8100IS MAR02