

## Head Office

### Wellington

PO Box 35-063  
Naenae  
Lower Hutt 5041  
17 Eastern Hutt Rd  
Wingate  
Lower Hutt 5019  
Tel (04) 567-3229  
Fax (04) 567-3644

www.pertronic.co.nz

sales@pertronic.co.nz  
tech@pertronic.co.nz

### Auckland Office

PO Box 15-867  
New Lynn  
Auckland 0640  
359 Onehunga Mall  
Onehunga  
Auckland 1061  
Tel (09) 633-0226  
Fax (09) 633-0228



ISO 9001: 2000

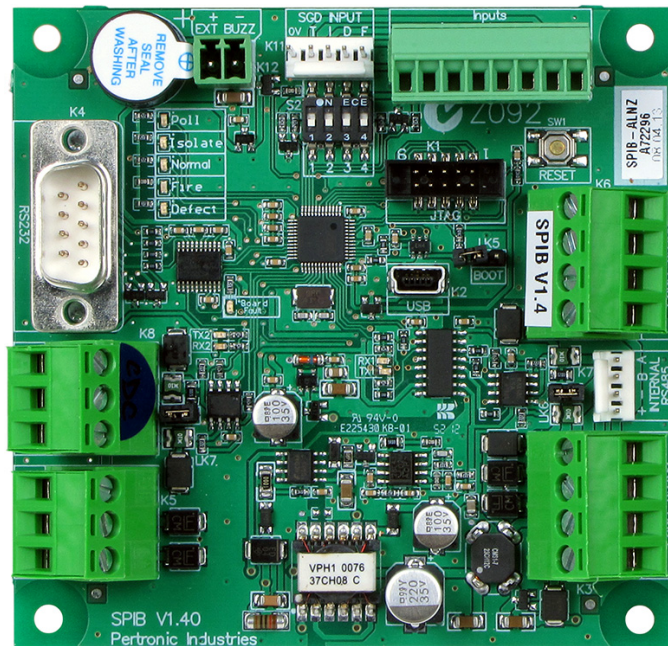
International  
Standards  
Certifications  
QAC/R61/0051

## Product Overview:

The SPIB-SGDAP (Special Protocol Interface Board – Signal Generating Device Advanced Protocol) provides a cost effective method of interfacing Pertronic Industries F100A and F120A Fire Alarm Panels with transmitting devices connected to the NZ Fire Service Alarm Transport System (ATS).

## Features:

- ▶ Enables full Alarm information to be transmitted to the alarm monitoring service.
- ▶ Powered by the ATS Transmitting Device (ATS-TxD) to comply with NZS4512:2010.
- ▶ Monitoring System Indicator LEDs: Poll, Isolate, Normal, Fire and Defect.
- ▶ Onboard buzzer.

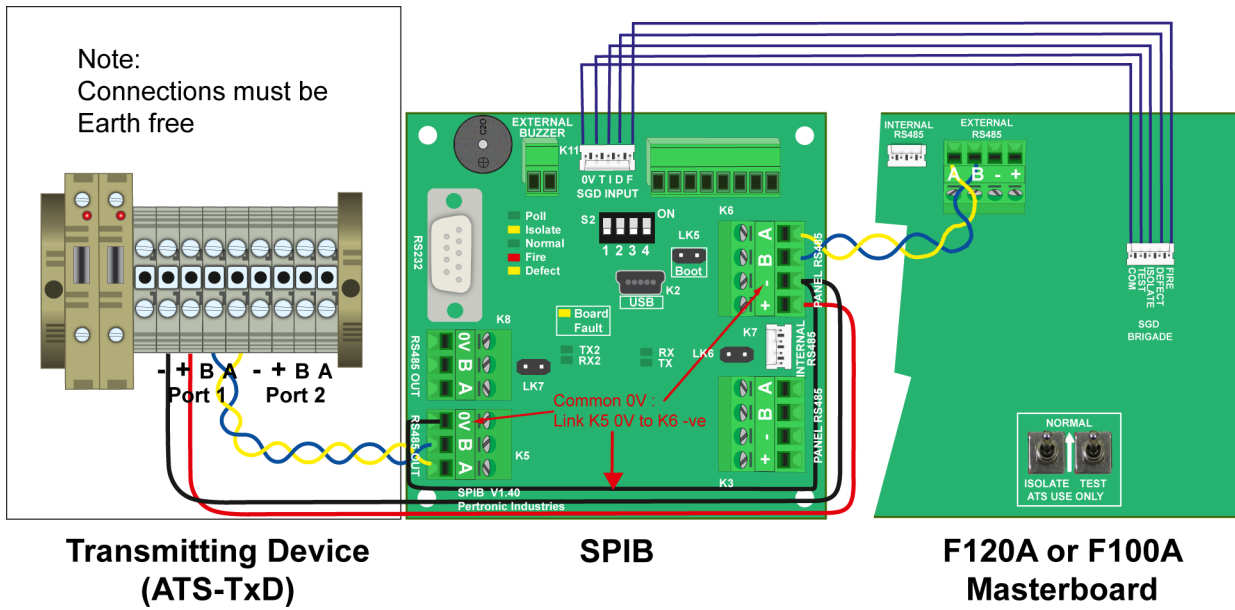


**SPIB – SGDAP Board**

## Specifications:

- |   |                                 |
|---|---------------------------------|
| ▶ PCB Dimensions                            | 94.0 x 96.5 (Height x Width mm) |
| ▶ Mounting Holes                            | 4 x 4mm diameter                |
| ▶ Power Supply                              | 11 to 30VDC from ATS - TxD      |
| ▶ Typical Power Consumption (24VDC)         | 21mA                            |
| ▶ External Buzzer Output Current Capability | 50mA                            |

**Diagram:**



**Product Codes:**

Code	Description
SPIB-SGDAP	Special Protocol Interface Board SGDAP Version

**PERTRONIC INDUSTRIES LTD**

**Head Office:**

17 Eastern Hutt Rd, Wingate, Lower Hutt 5019  
Telephone (04) 567-3229 Fax (04) 567-3644

www.pertronic.co.nz  
sales@pertronic.co.nz  
tech@pertronic.co.nz

**Auckland Office:**

359 Onehunga Mall, Onehunga, Auckland 1061  
Telephone (09) 633-0226 Fax (09) 633-0228

'Pertronic' and 'Firetronic' are registered trademarks of Pertronic Industries Ltd