

FAAST LT LOOP Model

Overview

Features

- Multiple event logging up to 2240 events
- Ultrasonic airflow sensing
- PipeIQ™LT software provides intuitive system layout and configuration all in one package
- User friendly air flow pendulum graph for verification of pipe network functionality
- Protected electronics from air flow and accidental damage during installation or maintenance
- Easily replaceable and reusable filter without affecting the rest of the device
- Designed for efficient wiring and installation: cable gland holes, easy access to the wiring area and no special tools required.
- Easy access to parts requiring routine maintenance: filter(s) or sensor(s).
- Single & Dual channel versions with independent channels including fan, sensor and flow monitoring
- IP65 enclosure



Description

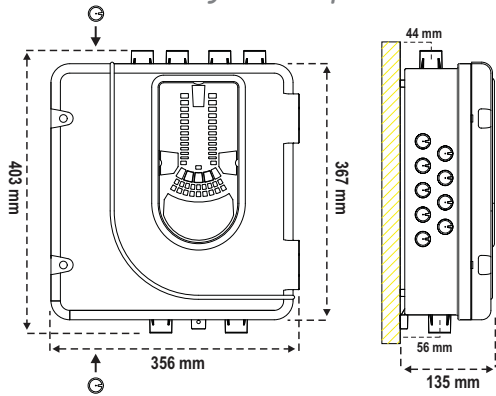
The FAAST LT Aspirating Smoke Detector is designed with the installer and end user in mind. It serves the wide variety of Class C applications where maintenance is difficult, other smoke detection methods are inappropriate or prone to fail due to harsh environments or areas where aesthetics matters. It is also suitable for smaller mission critical applications where very early warning - Class A or B detection is required.

FAAST LT combines proven aspiration detection technologies to deliver reliable smoke detection and efficient installation and maintenance. The device includes high sensitivity laser fire detection, ultrasonic flow sensors, and internal design features to protect vulnerable components from environmental and human threats. The device is fast to install and easy to commission thanks to PIPE IQ LT pipe design and configuration software which is included as standard.

FAAST LT loop based devices are available as single channel and dual channel devices, offering flexibility for different detection strategies. A range of customisable settings are geared towards maximising device performance and meeting different application needs. Loop capability allows standard device integration, maintenance and support consistent with other 200 series devices.

The detector provides alarm and fault relays with auxiliary events relay as an option. These can be set as latched or non-latched. To accommodate local installation standards or environments, flow and general fault delays can also be set.

Architect/Engineer Specifications

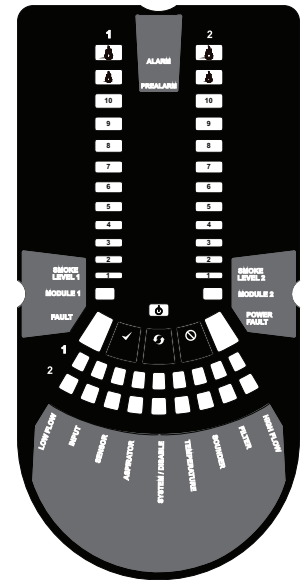


User Interface Display

The front panel will be different depending on which of the 3 Loop models is being installed.

The following information is displayed

- Alarm level; Alarm, Pre-Alarm
- Particulate Levels; 1-9
- Fault Status
- Flow Level
- Test, Reset and Disable Buttons



Physical Specification

Height	403mm (including inlets and outlets)
Width	356mm
Depth	135mm
Cable Access	Knock out cable gland holes
Wire Gauge	0.5mm ² to 2mm ² max
Maximum Single Pipe Length	100m
Maximum Branched (2) Pipe Length	100m
Maximum Air Inlet Holes	18
Outside Pipe Diameter	25mm or 27mm
Internal Pipe Diameter	15-21mm
Sensitivity Range	0.06%- 6% obs/m
Relays	2 (1 Alarm, 1 Fault) x per Channel
Sounder outputs	1 per channel
Event Log	2244 Events
Interfaces	Terminal blocks: power supply, relays, sounder outputs, external input; Loop Connection, USB port; Buttons (Test, Reset, Disable)
Power supply and relays connections	2mm ² max
USB	Standard USB cable for Type B USB connection
Shipping Weight- Including packaging material	6.5 Kg (dual channel)
Flow monitoring and reporting	High and low according to EN54-20
Filtration	Replaceable filter
Fan control	10 programmable speeds

Customer Services

Life Safety Distribution AG
 Javastrasse 2
 8604 Hegnau
 Switzerland
 0800 587 5675
 Tel: +41 44 943 4400
 orders@systemsensor.com

Technical Services

Tel: +44 (0) 1444 238820
 Fax: +44 (0) 1444 248123
 sse.technical@systemsensor.com

Copyright © 2012 System Sensor. All rights reserved.
 All technical data is correct at time of publication and is subject to change without notice. All trademarks acknowledged.
 Installation information: in order to ensure full functionality, refer to the installation instructions as supplied.

Electrical Specifications

Smoke Sensor (s)	Optical laser point type
External Supply Voltage	18.5-31.5 V
Remote Reset Time	1s
Power Reset	0.5s
Avg. Operating Current	200mA @ 24 VDC (excluding sounders)
Max. Average Operating Current	500mA @ 24 VDC (excluding sounders)
Relay Contact Ratings	2.0 A @ 30 VDC, 0.5 A @ 30 VAC
Communication Loop Supply Voltage	15 – 29 VDC (Loop current ≤ 900mA)
Communication Loop Standby Current	@ 24V: 900 µA max. (poll once every 5s)

Environmental Specifications

Operating Temperature	-10°C to 55°C
Humidity Range	10% to 93% (non condensing)
IP Rating	65

Ordering Information

Part No.	Description
FL2022EI	Loop Based Dual Channel Detector
FL2012EI	Loop Based Single Channel Dual Detector
FL2011EI	Loop Based Single Channel Detector

Accessories

F-LT-EB	Earth Bar
FL-IF-6	FAAST LT Integral Filter (6 filters)
Pipe and Fittings	Please see Aspiration Accessories Brochure

Listings and Approvals

CPD	
LPCB	
EN54-20 : (holes per pipe)	Class A – 3 holes
	Class B – 6 holes
	Class C - 18 holes