

# PERTRONIC INDUSTRIES LTD

## DATASHEET

### Conventional Indicating Heat Detector with Remote LED Output (V Series) (IHDBR-V) (IHDIR-V)



## Overview

The Pertronic Indicating Heat Detector is an NZS 4512:2010-compliant fixed (static) temperature heat detector for fire alarm systems.

Two versions are available:

- » 57 °C temperature threshold (blue dot)
- » 77 °C temperature threshold (yellow dot)

Indicating heat detectors are available as standard, encapsulated (weatherproof), alkaline resistant, remote LED indicator and remote kit. This datasheet is for the remote LED indicator versions. Datasheets for the other indicating heat detector models are available on the Pertronic website.



*Pertronic Remote LED Indicating Heat Detector and Remote LED Indicating Unit*

## Features

- » Fast response, fixed temperature heat detector
- » Resistant to false activation caused by vibration or other transient impulses
- » Independently tested and certified compliant with NZS 4512:2010
- » Terminals accept up to 1.5 mm<sup>2</sup> cable
- » Bi-directional circuit connection terminals
- » Vertically mounted PCB with protective cover for improved resistance against condensation and water damage
- » Alarm condition clamps the circuit voltage to 2.2 V
- » Red LED indication:
  - » The LED latches ON when the thermo-mechanical sensor activates
  - » De-powering the heat detector resets the LED
- » Integral reverse polarity yellow LED for easy detection of wiring faults
- » Reverse polarity connection causes “Hi Defect” fault warning on Pertronic panels
- » The Remote LED (DETREM) is compatible with System Sensor detector remote outputs
- » Compatible with Pertronic Loop Responder, Apartment Module and fire panels

## Specification

<b>Operating Voltage</b>	12 to 24 Vdc	
<b>Quiescent Current</b>	0.01 mA	
<b>Alarm Current</b>	Panel must limit to less than 25 mA	
<b>Operating Temperature</b>	0 to +80 °C	
<b>Operating Environment</b>	10 to 95% RH (non-condensing)	
<b>Dimensions (Diameter x Height mm)</b>	66 x 36 mm	
<b>Weight</b>	<b>Heat Detector</b>	50 g
	<b>Remote LED</b>	10 g
<b>Material</b>	Polycarbonate	
<b>Colour</b>	White	

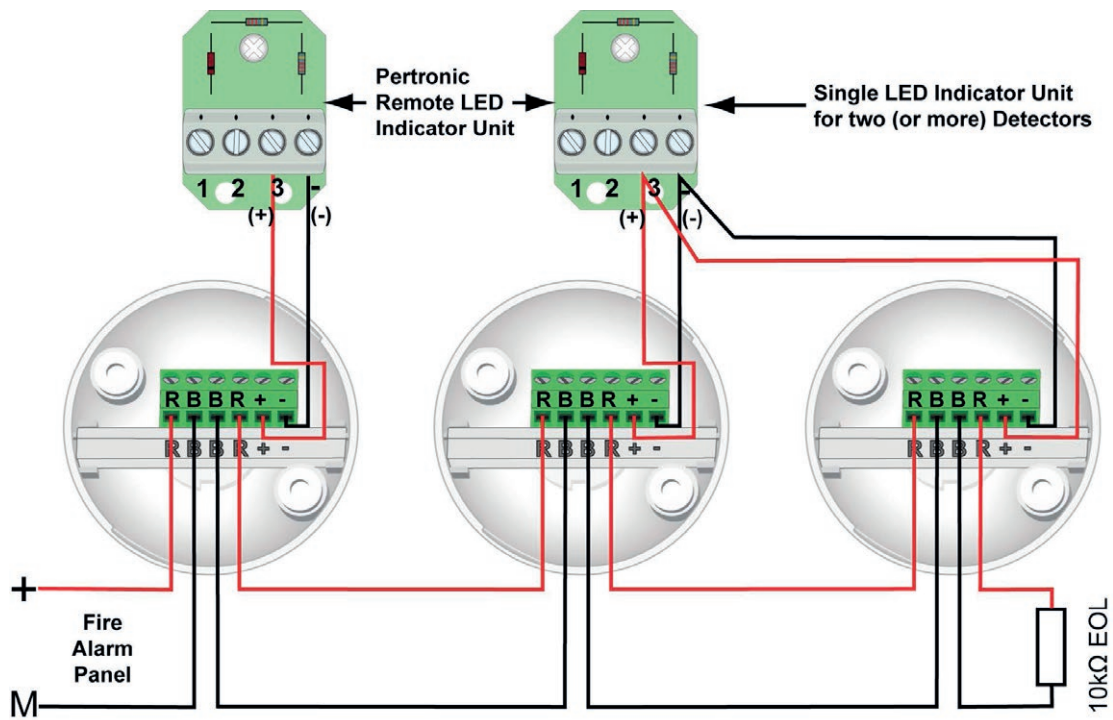
## Operation

The Remote LED Indicator Unit latches ON when the thermo-mechanical sensor element activates.

Notes:

1. Only the Pertronic Remote LED Indicating Detector supports the Pertronic Remote LED Indicator DETREM Unit.
2. The standard Indicating Heat Detector does NOT support the Remote LED Indicator DETREM Unit.

## Remote Indicator Heat Detector Connections



### Compatibility

Pertronic Indicating Heat Detectors are compatible with the following NZS 4512-compliant Pertronic products

Product	Software Version
F1	v2.30 & above
F1-2W	v9.04 & above
F4	v2.26 & above
F4-2W	v9.00 & above
F16	v7.0 & above
F16e	v1.10N & above
Apartment Module	V1.0 & above
Loop Responder	v3.00N & above
Multi-Function Loop Responder	All

### Ordering Information & Notes

Product Code	Description
IHDBR-V	Indicating Heat Detector Blue c/w Remote O/P 57 °C
IHDYR-V	Indicating Heat Detector Yellow c/w Remote O/P 77 °C

The information in this document must not be treated as partial or complete instructions for the design, construction, installation, commissioning, or maintenance of fire detection, fire alarm, or building evacuation systems. Fire and evacuation systems must be designed and installed by properly qualified persons, in accordance with all regulatory requirements.

Unless explicitly stated otherwise, this document provides typical specifications and nominal dimensions. Actual product performance and dimensions may vary.

All information in this document is subject to change. Please consult Pertronic Industries or visit our web site for up to date information.

PERTRONIC® is a registered trademark of Pertronic Industries Limited.