

# E2xL15 15 Watt Loudspeaker Zone 2 & Division 2



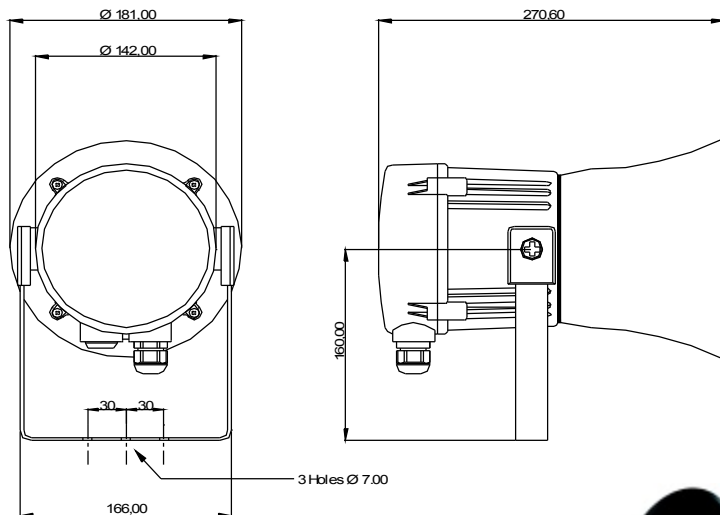
- SPL : 108dB +/-3dB @ 1w @ 1m - Pink noise  
118dB +/-3dB @ 15w (Rated Power) @ 1m
- Rated power : 15 Watts RMS
- 70v line transformer version : 15w / 7.5w / 3w / 1w tapings  
(z=336.67 Ohms / 653.33 Ohms / 1.6kOhms / 4.9kOhms)
- 100v line transformer version : 15w / 7.5w / 3w / 1w tapings  
(z=666.87 Ohms / 1.34kOhms / 3.34kOhms / 10kOhms)
- Impedance type : 8 Ohm or 16 Ohm
- Dispersion : 120° @ 1kHz & 32° @ 4kHz
- Frequency range : 400Hz to 8000Hz
- DC line monitoring : 2.2uF Capacitor
- Transformer type fitted with thermal fuse
- Complies with BS5839 part 8
- Enclosure material : UL94V0 PPS & ABS
- Weight : 70/100v line : 2.60kg  
Low impedance : 2.20kg
- ATEX: IP66 & IP67
- UL: Type 4, 4X & 13

- ATEX: E2xL15EG  
Zone 2  $\text{Ex}$  II 3G EEx nA IIC T4 (Tamb -20°C to +55°C)  
Cert: DEMKO 06 ATEX 0421554
- UL: E2xL15UL  
Class I, Division 2, Groups A,B,C,D T4 (135°C) (at +55°C)  
Class I, Division 2, Groups A,B,C,D T4A (120°C) (at +40°C)  
Class II, Division 2, Groups F & G T6 (85°C)  
Class III, Division 1, T6 (85°C)  
File: E230764



A heavy duty high output PA loudspeaker, ideal for hazardous environments with high ambient noise levels.

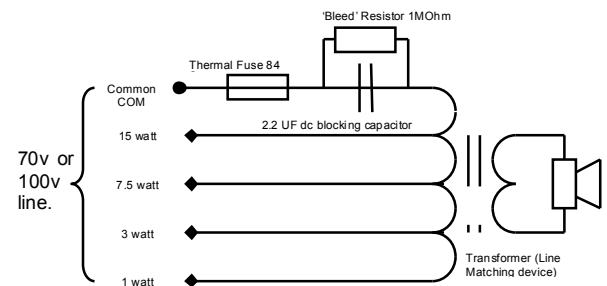
- Large termination area
- ATEX: 2 x M20 ISO cable gland entries (with 1 blanking plug).
- UL: 1 x 1/2"NPT cable gland entry with flying leads (0.5m)
- Ratchet adjustable stainless steel 'U' bracket for 360° positioning.
- ATEX 'EG' units offer IN & OUT terminals
- ATEX 'EG' unit terminals accept 0.5 to 2.5mm<sup>2</sup> cables.



All dimensions are in millimetres.

Also available :

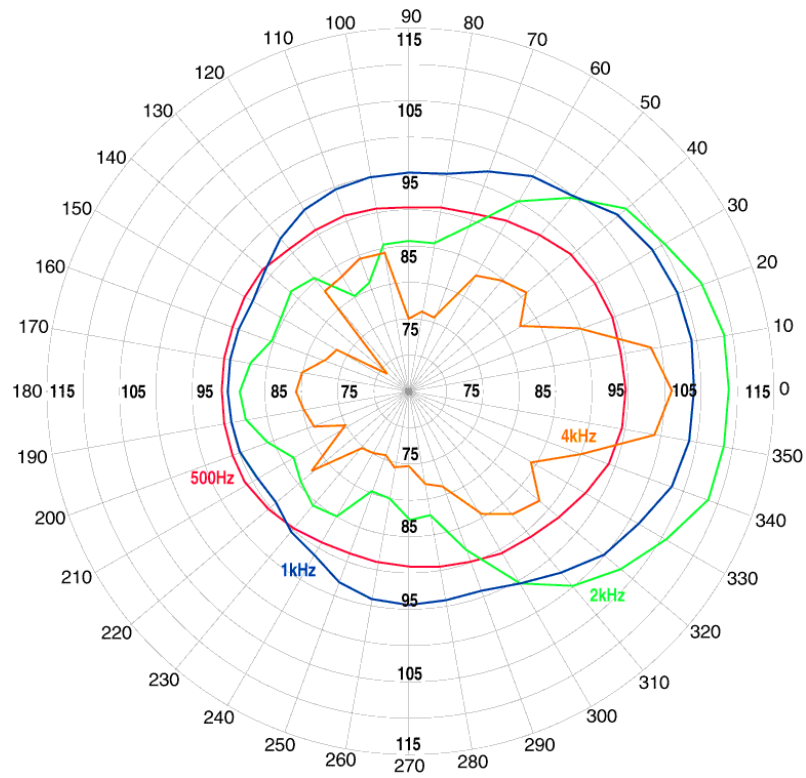
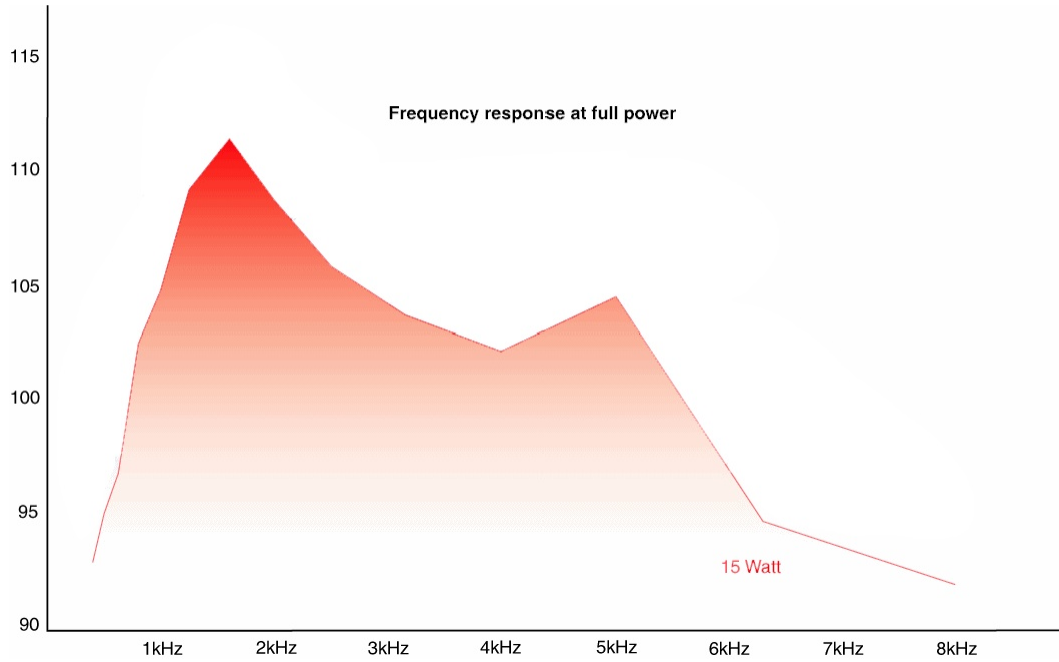
- E2xCS112-05 Combined alarm sander & xenon beacon
- E2xS112 Alarm sounders
- E2xS121 High output alarm sounders
- E2xB05 & E2xB10 5 and 10 Joule xenon beacons



### E2xL15 8 & 16 Ohm low impedance:

Input : 8 Ohm	Power : 15Watts	I/P Volts : 10.95V
Input : 16 Ohm	Power : 15Watts	I/P Volts : 15.49V





Ordering code :

E2xL15

100V

Product  
E2xL15

Version  
70v Line  
100v Line  
8 Ohm  
16 Ohm