

## Head Office

### Wellington

PO Box 35-063  
Naenae  
Lower Hutt 5041  
17 Eastern Hutt Rd  
Wingate  
Lower Hutt 5019  
Tel (04) 567-3229  
Fax (04) 567-3644

www.pertronic.co.nz

sales@pertronic.co.nz  
tech@pertronic.co.nz

### Auckland Office

PO Box 15-867  
New Lynn  
Auckland 0640  
359 Onehunga  
Mall  
Onehunga  
Auckland 1061  
Tel (09) 633-0226  
Fax (09) 633-0228



Certificate No:  
205487-2016-  
AQ-AUS-JAS-ANZ

## Product Overview

Pertronic LCD & LED Combination Mimics provide remote indication of the fire alarm control panel status. In addition, these mimics provide an LCD repeater display for the analogue addressable fire alarm control panel.

Combination LCD & LED Mimics are compatible with Pertronic F120A and F100A fire alarm control panels.

The standard LCD & LED Combination Mimic includes the LCD Mini Mimic (F100AMM-3). The Combination Mimic may be ordered with other versions of the LCD Mini Mimic. (Refer to the LCD Mini Mimic Datasheet for more details.)

The LCD display provides precise information and location details on any fire related event. If multiple events are active on the alarm system, a "Next" button allows the user to scroll through those events.

The standard mimic includes one 12-way LED display board (F100PDB12). The 12-way LED display board provides four global indicators (Sprinkler, Fire, Defect and Normal), and eight LEDs.

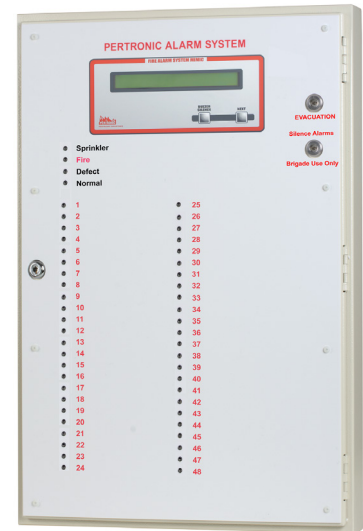
Additional 8-way display boards (F100PDB) may be installed to provide additional indicator LEDs.

Pertronic analogue addressable systems can use large numbers of LEDs: up to 2048 in F120A systems, and up to 255 in F100A systems. The Pertronic LED Zone Address Offset Board (LAC12W) provides a numerical offset to the first and consecutive LEDs on a 12-Way display board. (Please refer to the F120A or F100A Technical Manuals for more information.)

Each Slimline LCD & LED Combination Mimic is supplied complete with Bell Cut-Off (BCO) and Evacuation key switches.

Slimline LCD & LED combination mimics are supplied with blank customisable index panels, which need to be drilled and engraved to suit project requirements. (Please refer to the mechanical drawing.)

The combination LCD & LED Mimics are available in Rear Service and Front Service variants.



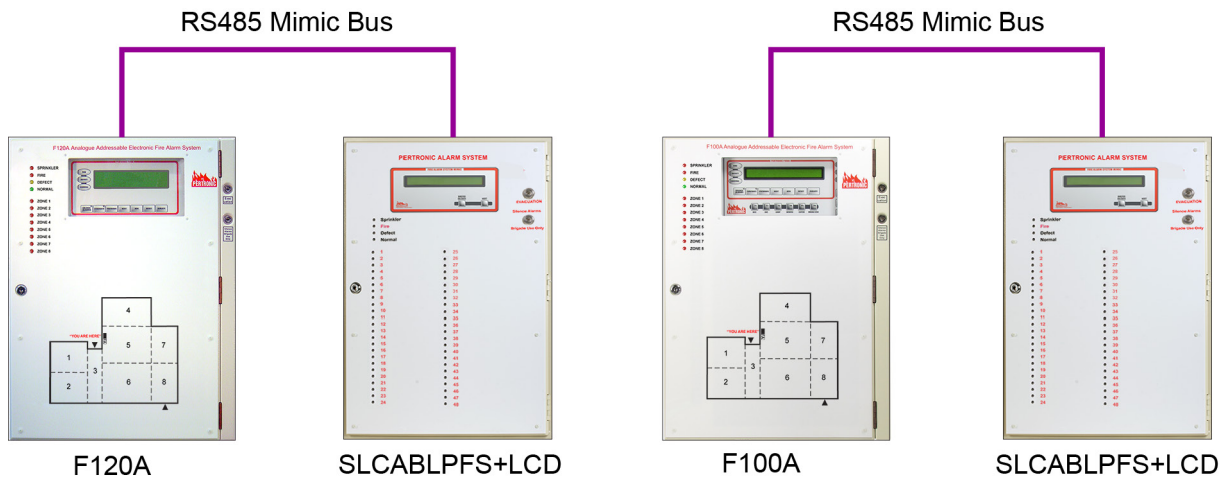
Slimline Large Front Service  
LCD & LED Combination Mimic

**SLCABLPPFS+LCD**

## Features:

- ▶ Connects to RS485 Mimic Bus of Pertronic F120A, F100A fire alarm panel or network card
- ▶ Standard LCD & LED Combination Mimic includes LCD Mini Mimic (Product Code, F100AMM-3)
- ▶ Slimline LCD & LED combination mimic cabinets are supplied with blank customisable index
- ▶ Three sizes available
- ▶ Available in rear service and front service
- ▶ Provides precise information and location details on any fire related event
- ▶ Number of LEDs up to 2048 in F120A, 255 in F100A fire alarm system
- ▶ Fitted with Bell Cut-Off (BCO) and Evacuation key switches

## Connection Diagram:



## Specifications:

	Height (mm)	Width (mm)	Depth (incl. Index) (mm)	Protrusion (mm)	Number of LEDs up to *
SLCABMPFS+LCD-MIM	426	438	48	5 (lock, screws)	32
SLCABMPRS+LCD-MIM	426	438	48	10 (lock, screws, switches)	32
SLCABLPFS+LCD-MIM	616	438	48	5 (lock, screws)	64
SLCABLPRS+LCD-MIM	616	438	48	10 (lock, screws, switches)	64
SLCABELFS+LCD-MIM	650	635	78	5 (lock, screws)	96
SLCABELRS+LCD-MIM	650	635	78	10 (lock, screws, switches)	96

\* **Note:** The number of LEDs exclude four global indicators (Sprinkler, Fire, Defect and Normal).

## Ordering Information:

Product Code	Description
SLCABMPFS+LCD-MIM	Slim MPFS LED Mimic Cabinet + Index, c/w LCD, F100PDB12, BCO/Evac Switches
SLCABMPRS+LCD-MIM	Slim MPRS LED Mimic Cabinet + Index, c/w LCD, F100PDB12, BCO/Evac Switches
SLCABLPFS+LCD-MIM	Slim LPFS LED Mimic Cabinet + Index, c/w LCD, F100PDB12, BCO/Evac Switches
SLCABLPRS+LCD-MIM	Slim LPRS LED Mimic Cabinet + Index, c/w LCD, F100PDB12, BCO/Evac Switches
SLCABELFS+LCD-MIM	Slim Extra Large FS Mimic Cab. + Index, c/w LCD, F100PDB12, BCO/Evac Switches
SLCABELRS+LCD-MIM	Slim Extra Large RS Mimic Cab. + Index, c/w LCD, F100PDB12, BCO/Evac Switches
LAC12W	LED Zone Address Offset for 12-Way LED Board
F100PDB12	12-Way Smart LED Display Board
F100PDB	8-Way LED Display Ext Board
KEYSW-MK2NR	Keyswitch MK2, NON Removable, 2JS-B00161-1200 (V993885)

## PERTRONIC INDUSTRIES LTD

### Head Office:

17 Eastern Hutt Rd, Wingate, Lower Hutt 5019  
 Telephone (04) 567-3229 Fax (04) 567-3644

www.pertronic.co.nz

sales@pertronic.co.nz  
 tech@pertronic.co.nz

### Auckland Office:

359 Onehunga Mall, Onehunga, Auckland 1061  
 Telephone (09) 633-0226 Fax (09) 633-0228

'Pertronic' and 'Firetronix' are registered trademarks of Pertronic Industries Ltd