

Head Office

Wellington

PO Box 35-063
Naenae, 5011
Lower Hutt
17 Eastern Hutt Rd
Wingate
Lower Hutt 5019
Tel (04) 567-3229
Fax (04) 567-3644

www.pertronic.co.nz

sales@pertronic.co.nz
tech@pertronic.co.nz

Auckland Office

PO Box 15-867
New Lynn
Auckland 0640
359 Onehunga Mall
Onehunga
Auckland 1061
Tel (09) 633-0226
Fax (09) 633-0228



Certificate No:
205487-2016-
AQ-AUS-JAS-ANZ

Product Overview:

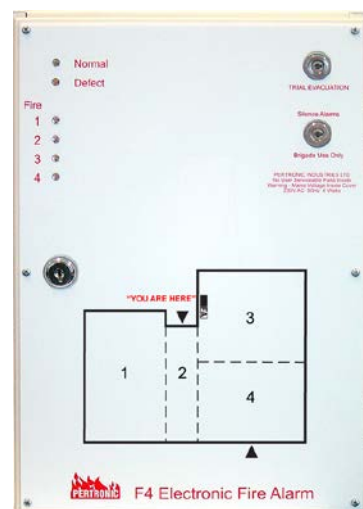
Pertronic Industries **F4-3** is a four-zone Fire Alarm Control Panel designed for low cost fire alarm systems.

The **F4-3** supports Smoke Detectors, indicating Manual Call-Points (MCP) and indicating heat detectors, and has the facility to internally mount one or two 20 Watt evacuation amplifiers.

It provides an option for brigade connection and complies with the requirements of NZS 4512:2010, and the New Zealand Building Code.

Features:

- ▶ 'Normal', 'Defect' and per circuit 'Fire' indication on front panel
- ▶ 'Internal Bell Cut-Off' and 'External Bell Cut-Off' (BCO)
- ▶ Alarm reset available from a front panel key-switch
- ▶ Trial Evacuation key-switch
- ▶ Fire & Defect C/O relays with Fire relay Isolate switch
- ▶ Automatic Alarm Verification Facility (AVF) provides substantial protection against transient false alarm activation
- ▶ Supervised bell circuit with 10 kΩ EOL resistor
- ▶ Maximum of two 20 Watt 100 Vrms line amplifiers with voice evacuation message
- ▶ 'Battery Absent' detection circuitry
- ▶ Earth leakage supervision
- ▶ Integrated Alarm and Defect piezo for audible warning
- ▶ On-board System 'Defect' LED indicates source of fault
- ▶ Door Interlock
- ▶ Brigade 'Isolate' and 'Test' switches
- ▶ Electrically isolated interface to an alarm transmitter (SGD)
- ▶ DBA mode 'Non Latching, Bell Only' configuration available (on Circuit 4)
- ▶ Automatic daily load test with automatic 'Battery Absent' detection circuitry



Detector Circuits

- ▶ Four zones terminated with 10 kΩ EOL resistors
- ▶ Accepts a mix of System Sensor detectors, Pertronic indicating heat detectors and indicating MCPs
- ▶ Zone circuit self-test on start-up and every 24 hours
- ▶ Each Zone Circuit may have:
 - ▶ Up to 40 System Sensor smoke or heat detectors
 - ▶ A total of 100 x Pertronic Indicating MCPs, or indicating heat detectors (see **important note** on page 2)

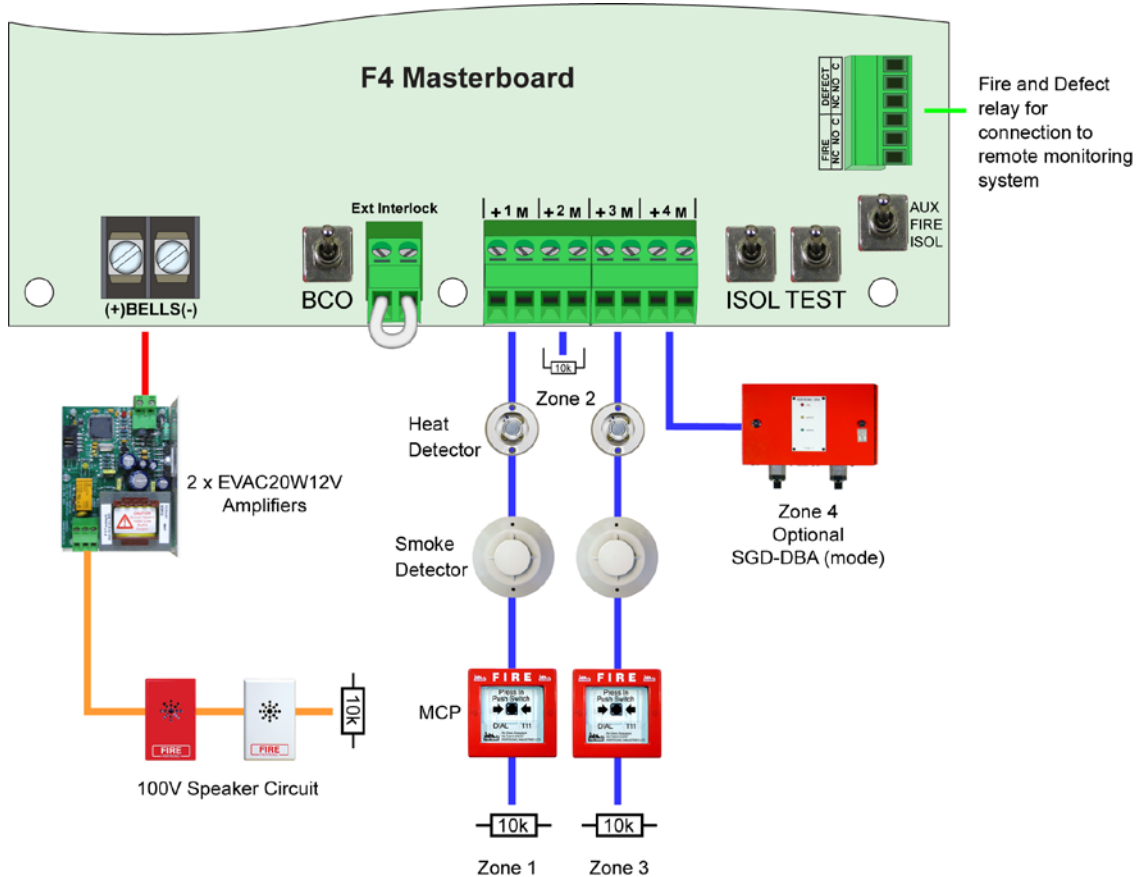
Options

- ▶ Front or Rear Service cabinet
- ▶ F4-RMAX board for connecting a remote LED mimic and additional Fire and Defect Relay
- ▶ Pertronic SGD7 or SGD8MD for Fire Brigade connection

Specification:

Electrical:	Power Supply 230 Vac, 50 Hz, 5 W 13.7 Vdc, 400 mA	Quiescent Current 28 mA @ 12 Vdc	Defect Current 30 mA @ 12 Vdc	Alarm Current 155 mA @ 12 Vdc with no load on external sounders	Bell Output 12 Vdc, 5 Amps
Battery	Battery Charger Integral Float Charger 13.7 Vdc, 372 mA		Battery Type Sealed Lead Acid (GelCell) 12 Vdc, 7 AHr - internally mounted		
Environmental:	Operating Temperature Range 0 to +40 °C		Humidity 10 to 95 % RH (non-condensing)		
Mechanical:	Dimensions (H x W x D mm) Cabinet: 350 x 245 x 87 (FS) FS or RS 350 x 245 x 92 (RS) (see note on page 2)	Weight 2.2 kg - excluding battery	Material 1.2 mm mild steel, powder coated	Colour Beige - other colours optional	

Block Diagram:



Ordering Information:

Code	Description	Code	Description
Panels		Amplifiers and Speakers	
F4FS-3	F4 Panel Front Service – 12 Volt	EVAC20W12V	Evac Amplifier 20W 12V
F4FS-3EA	F4 Front Service Panel with 20W Evac – 12 Volt	PSS1-R	Pertronic Sounder Speaker 1W Flush - Red
F4RS-3	F4 Panel Rear Service – 12 Volt	PSS1-W	Pertronic Sounder Speaker 1W Flush - White
F4RS-3EA	F4 Rear Service Panel with 20W Evac – 12 Volt	PSSB401	Pertronic Speaker with B401 Conventional Base
F4RS-3EAT5	F4 RS Type 5 c/w 20W Evac & Sound Cont Bd & Hush – 12 Volt	Transmitters	
F4FS-3EAT5	F4 FS Type 5 c/w 20W Evac & Sound Cont Bd & Hush – 12 Volt	SGD7	SGD Board Version 7
Detectors		SGD8MD	SGD8 2 Wire Multidrop
2151BPI	Low Profile Photo Detector excl Base	Accessories	
B401	Base for Conventional Smoke Detectors	F4AUXRLY	F4 Auxiliary Relay Board for small F4 Case
SMK400E	Surface Mount for B401 and B501 Base, (Round 152mm)	F4AUXRLYV2	F4 Auxiliary Relay Board for large F4 Case, 12 Volt
IHDB-V	Indicating Heat Detector, Blue (57°C)	F4T5SCNT	F4 Type 5 Sound Control Board with Hush
IHDY-V	Indicating Heat Detector, Yellow (77°C)	AMRH	Remote Hush Button
CPPIN-3T	Conventional Indicating MCP - Testable	F4-RMAX	Remote LED Mimic/Aux Relay Module
CPPIN-3TWP-MK2	Conventional Indicating MCP Testable – Weatherproof, MK2		

Important Notes:

- ▶ Within the total allowance of 100 indicating devices per zone circuit, the circuit is limited to a maximum of Pertronic V-series 50 indicating heat detectors.
- ▶ Non-indicating heat detectors and non-indicating MCPs MUST NOT be used in NZS 4512: 2003 or NZS 4512: 2010 systems. These devices will not produce a **Fire** signal when triggered.
- ▶ A hard short-circuit or open-circuit produces a 'Defect' signal.
- ▶ All dimensions are nominal. Actual dimensions may vary slightly due to production tolerances.

PERTRONIC INDUSTRIES LTD

Head Office:

17 Eastern Hutt Rd, Wingate, Lower Hutt 5019
Telephone (04) 567-3229 Fax (04) 567-3644

www.pertronic.co.nz

sales@pertronic.co.nz

tech@pertronic.co.nz

Auckland Office:

59 Onehunga Mall, Onehunga, Auckland 1061
Telephone (09) 633-0226 Fax (09) 633-0228

'Pertronic' and 'Firetronix' are registered trademarks of Pertronic Industries Ltd