

Head Office

Wellington

PO Box 35-063
Naenae, 5011
Lower Hutt
17 Eastern Hutt Rd
Wingate
Lower Hutt 5019
Tel (04) 567-3229
Fax (04) 567-3644

www.pertronic.co.nz

sales@pertronic.co.nz
tech@pertronic.co.nz

Auckland Office

PO Box 15-867
New Lynn
Auckland 0640
359 Onehunga Mall
Onehunga
Auckland 1061
Tel (09) 633-0226
Fax (09) 633-0228



ISO 9001: 2008

International Standards
Certifications
QAC/R64/0012

Product Overview:

The **Pertronic Mini-Mimic** allows **F100A** and **F120A** Fire Alarm messages to be displayed at locations remote from the Fire Panel.

LCD Mini Mimics may be connected in one of three modes:

- Full mode:**
 - the panel and mimic have full poll/response functions.
 - all messages, 'Alarm', 'Defect' and 'System', are displayed.
 - all system buttons function as mapped.
- Slave mode:**
 - the panel and mimic have no poll/response functions.
 - no command interaction is available, except for silencing the in-built buzzer.
- Alarm Only mode:**
 - 'Defect' or other system messages are not displayed, providing an unambiguous display for 'Alarm' messages



Features:

F100AMM:

- ▶ 2 line, 40 character, alpha-numeric LCD display.
- ▶ Backlit LCD Display in 'Alarm' Condition.
- ▶ May be configured to display all messages, or 'Alarm'(s) only.
- ▶ Local buzzer with extension buzzer output.
- ▶ 'Buzzer Silence' switch: cancels the in-built buzzer.
- ▶ Low Power Consumption.

F100AMM-3: as for F100AMM, plus;

- ▶ 'Next' switch: allows selection of queued messages for NZFS use as required by NZS4512:2010 and NZS4512:2003.

Optional Features:

F100AMMR: as for F100AMM, plus;

- ▶ 'Local Alarm Reset' switch: resets 'Non-Brigade Calling' detectors.

F100AMMR-3: as for F100AMM-3, plus;

- ▶ 'Local Alarm Reset' switch: resets 'Non-Brigade Calling' detectors.

F100AMMRZ: as for F100AMM-3, plus;

- ▶ Zone Select: configured to operate in 'Alarm Only' mode in selected zone(s)
- ▶ 'Local Alarm Reset' switch: resets 'Non-Brigade Calling' detectors in the selected zone(s)

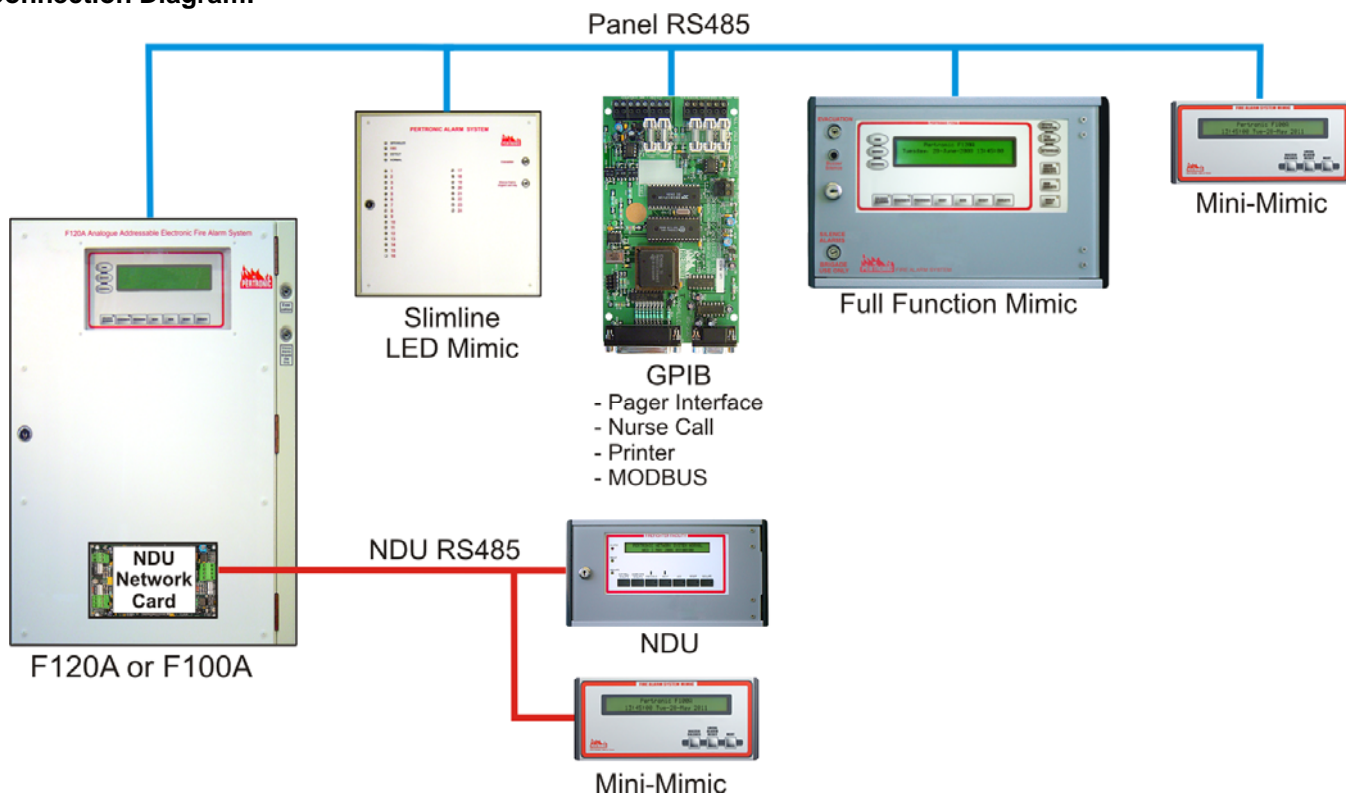
Specifications:

Electrical:	Operating Voltage 24Vdc	Quiescent Current 5mA	Alarm Current 46mA @27Vdc 52mA @ 20Vdc	
Environmental:	Operating Temperature Range 0 to +40°C		Humidity 10 to 95% RH (non-condensing)	
Mechanical:	Dimensions (Diameter x Height mm) 105 x 236 x 31	Weight 950 gms	Material : 1.2mm Steel	Colour: Apo Grey

Mimic Communications: RS-485 Serial Link

+	+24Vdc
-	0V
A	Data 'A' Leg
B	Data 'B' Leg

Connection Diagram:



Installation/Commissioning:

- ▶ Wire SGD Cable (DC Supply and RS-485 twisted pair) from the Pertronic Analogue Addressable panel to the Mini-Mimic connector K2 and wire from K10 to the next Mimic device.
- ▶ Connect a 470Ω resistor in the A and B terminals of K10 to provide End-of-Line termination on the last device (LCD or LED Mimic)
- ▶ Set address links:

F100A	F120A	Function
Address 0	Address 0	Slave LCD Mini-Mimics - Display only
Address 1 to 8	Address 1 to 29	Polled LCD Mini-Mimics
- provides for "missing device" notification		

Note: a maximum 32 devices may be connected to the External RS485 port of Analogue Addressable Panels. The F16e and F16 Conventional Panels can accommodate a maximum 3 LED Mimics.

Product Codes:

NZS Code	Description	NZFPA Listing No
F100AMM-3	F100A LCD Mini Mimic - NZS 4512:2003	
F100AMMR-3	F100A LCD Mini Mimic with Alarm Reset - NZS 4512:2003	
F100AMMRZ-3	F100A LCD Mini Mimic c/w Reset & Zone Select - NZS 4512:2003	
F100AMM	F100A LCD Mini Mimic - NZS 4512:1997	
F100AMMR	F100A LCD Mini Mimic with Alarm Reset - NZS 4512:1997	
F100AMME	F100A LCD Mini Mimic Flush Mounting Escutcheon	

PERTRONIC INDUSTRIES LTD

Head Office:
17 Eastern Hutt Rd, Wingate, Lower Hutt
Tel (04) 567-3229 Fax (04) 567-3644

www.pertronic.co.nz
sales@pertronic.co.nz
tech@pertronic.co.nz

Auckland Office:
359 Onehunga Mall, Onehunga, Auckland
Tel (09) 633-0226 Fax (09) 633-0228