

F100A LCD Mimic

Head Office

Wellington

PO Box 35-063
Naenae, 5011
Lower Hutt
17 Eastern Hutt Rd
Wingate
Lower Hutt 5019
Tel (04) 567-3229
Fax (04) 567-3644

www.pertronic.co.nz

sales@pertronic.co.nz
tech@pertronic.co.nz

Auckland Office

PO Box 15-867
New Lynn
Auckland 0640
359 Onehunga Mall
Onehunga
Auckland 1061
Tel (09) 633-0226
Fax (09) 633-0228



ISO 9001: 2008

International Standards
Certifications
QAC/R64/0012

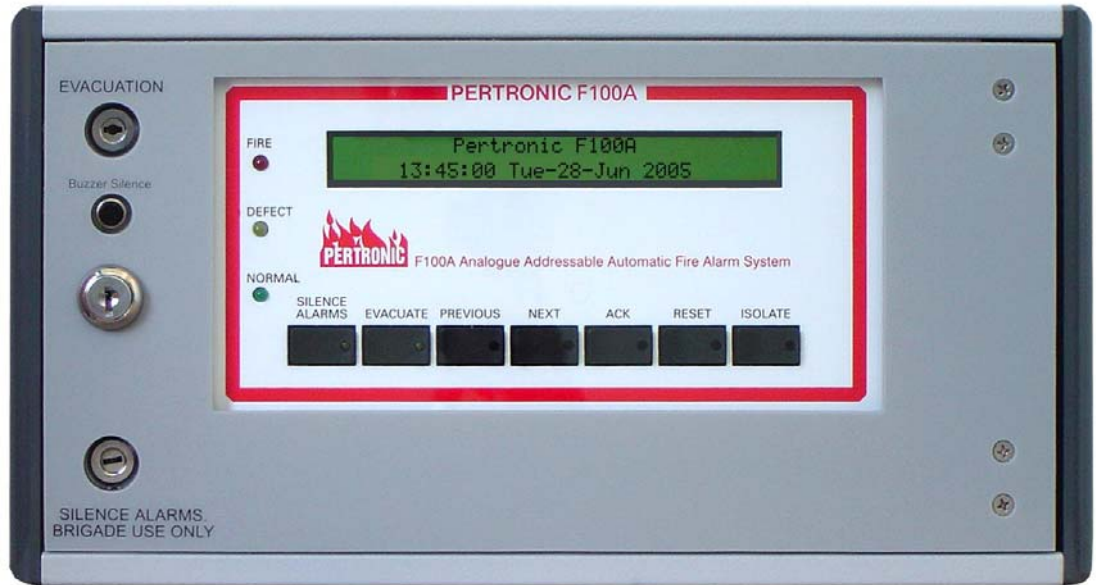
Product Overview:

The **Pertronic F100A LCD Mimic** allows remote display of messages from a **F100A** panel.

The **Pertronic F100A LCD Mimic** can perform all the keyboard-display functions of the **F100A** panel.

Up to 8 addressable **F100A LCD Mimics** may be connected to a **F100A** panel and operate in 'Full Duplex' mode.

More **F100A LCD Mimics** may be connected in 'Slave Mode' - system messages are displayed but no command interaction is available, except for silencing the in-built buzzer



Features:

- ▶ 2 line, 40 character, alpha-numeric LCD display
- ▶ Backlit LCD Display in 'Alarm' and 'Defect' Condition
- ▶ Three LEDs to indicate 'Fire', 'Defect' and 'Normal' status
- ▶ Local buzzer with extension buzzer output
- ▶ Low Power consumption

Front Panel Access:

- ▶ 'Evacuation' key-operated switch to operate the 'Sounder' (Bells) circuit
- ▶ 'Silence Alarms' key-operated switch to silence the 'Sounder' (Bells) circuit
- ▶ 'Buzzer Silence' switch silences all buzzers, both on the **F100A** panel and remote

Door Open Access:

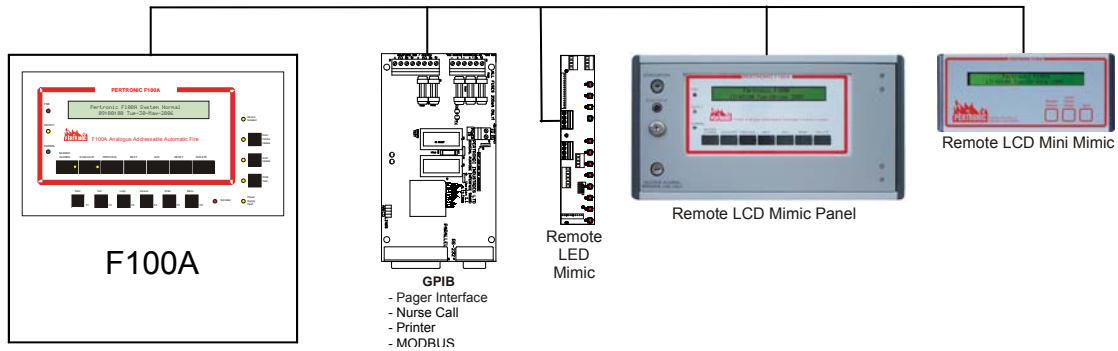
- ▶ 'Silence Alarms' switch: cancels the sounder circuit
- ▶ 'Evacuate' switch: operates the 'Sounder' (Bells) circuit
- ▶ 'Previous' switch: used to navigate forwards through alarm queues and logs
- ▶ 'Next' switch: used to navigate backwards through alarm queues and logs
- ▶ 'ACK' switch: Alarm acknowledge facility
- ▶ 'Reset' switch: resets the panel and detectors after alarm activation
- ▶ 'Isolate' switch: used to isolate loop devices
- ▶ Full Menu controls plus Door Holder Isolate, Auxiliary Isolate and Walk Test

Specifications:

Electrical:	Operating Voltage 27.4Vdc from RS485 Bus	Quiescent Current 6mA @ 24Vdc BackLight and Buzzer OFF	Alarm Current 50mA @ 27.4Vdc BackLight and Buzzer ON
Environmental:	Operating Temperature Range 0 to 30°C		Humidity 10 to 95% RH (non-condensing)
Mimic Communications:	+ +24Vdc - 0V A Data 'A' Leg B Data 'B' Leg	Mechanical:	Dimensions (L x D x H mm) 200 x 376 x 50 Weight 3.65kg

Connection Diagram:

RS485 Data Link (4-wire: twisted pair Data and 2-core DC Power)



Installation/Commissioning

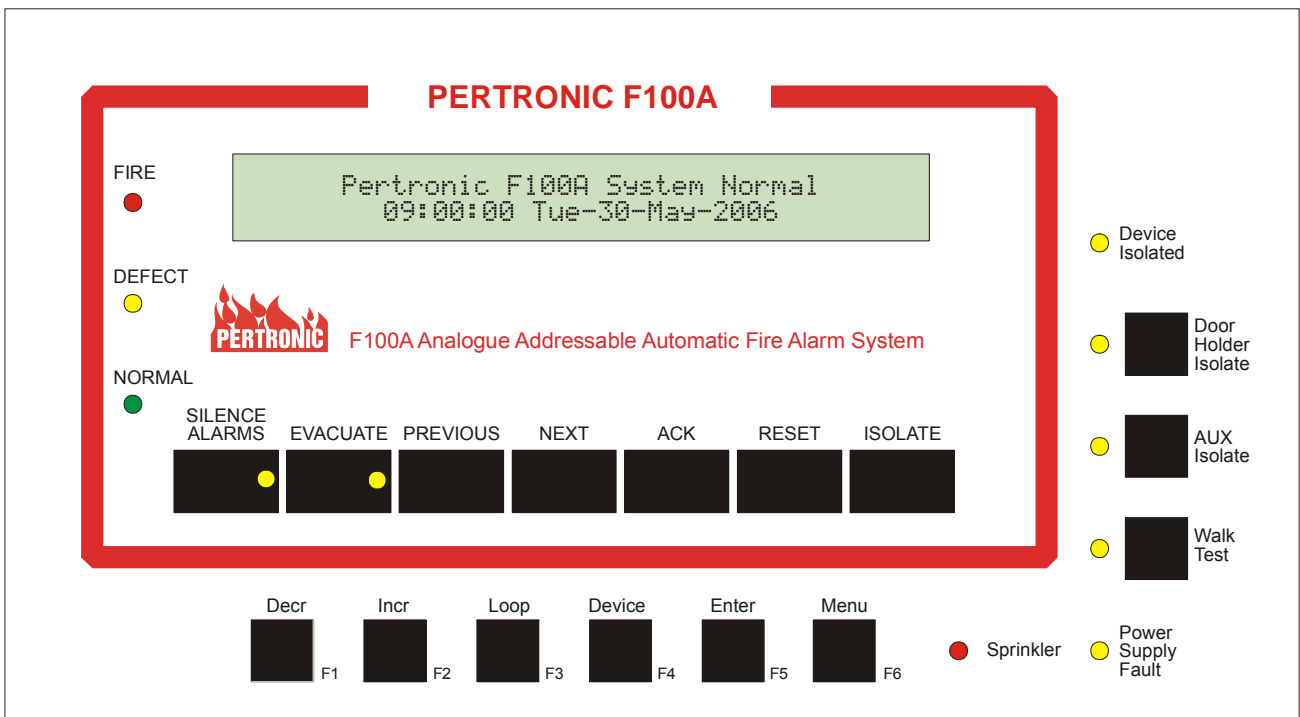
- ▶ Wire the SGD Cable from the Pertronic Analogue Addressable panel to the LCD Mimic connector K2.
 - the twisted pair provides the data feed to the A and B terminals of K2
 - the two conductors provide the DC power supply +/- of K2.
- ▶ Wire from K10 to the next Mimic device. Terminate the last device (LCD or LED Mimic) with a 470Ω resistor in the A and B terminals of K10 to provide End-of-Line termination.

▶ Set address links:	Address	Function
	Address 0	reserved for the F100A Panel Main Display
	Address 1 to 8	Polled LCD Mimics
	Address 9	Slave LCD Mimics - Display only

- provides for "missing device" notification

Note: a maximum 32 devices may be connected to the External RS485 port.

Keyboard - Display Layout



Product Codes:

NZS Code	Description	NZFPA Listing No
F100AM-3	F100A LCD Full Function Mimic NZS4512:2003	PI/608
F100AM	F100A LCD Full Function Mimic NZS4512:1997	PI/608
F100AME	F100A LCD Full Function Mimic Flush Mounting Escutcheon	
SGDCI	Mimic Cable Internal: 1 Pair @ 0.5mm ² ; 2 Core @ 0.8mm ² ; 250m Drum	
SGDCE	SGD Cable External: Twisted Pair @ 0.5mm ² ; 2 Core @ 1.13mm ² ; 500m Drum	
SGDCIFR	SGD Cable Internal - Fire Rated: 1 Pair @ 16/0.2mm ² ; 2 Core @ 16/0.2mm ² ; 100m Drum	

PERTRONIC INDUSTRIES LTD

Head Office:

17 Eastern Hutt Rd, Wingate, Lower Hutt
Tel (04) 567-3229 Fax (04) 567-3644

www.pertronic.co.nz
sales@pertronic.co.nz
tech@pertronic.co.nz

Auckland Office:

359 Onehunga Mall, Onehunga, Auckland
Tel (09) 633-0226 Fax (09) 633-0228

'Pertronic' and 'Firetronix' are registered trademarks of Pertronic Industries Ltd