

# Ethernet Gateway Card Mk2 (NET2GATE)

## Head Office

### Wellington

PO Box 35-063  
Naenae, 5011  
Lower Hutt  
17 Eastern Hutt Rd  
Wingate  
Lower Hutt 5019  
Tel (04) 567-3229

www.pertronic.co.nz

sales@pertronic.co.nz  
tech@pertronic.co.nz

### Auckland Office

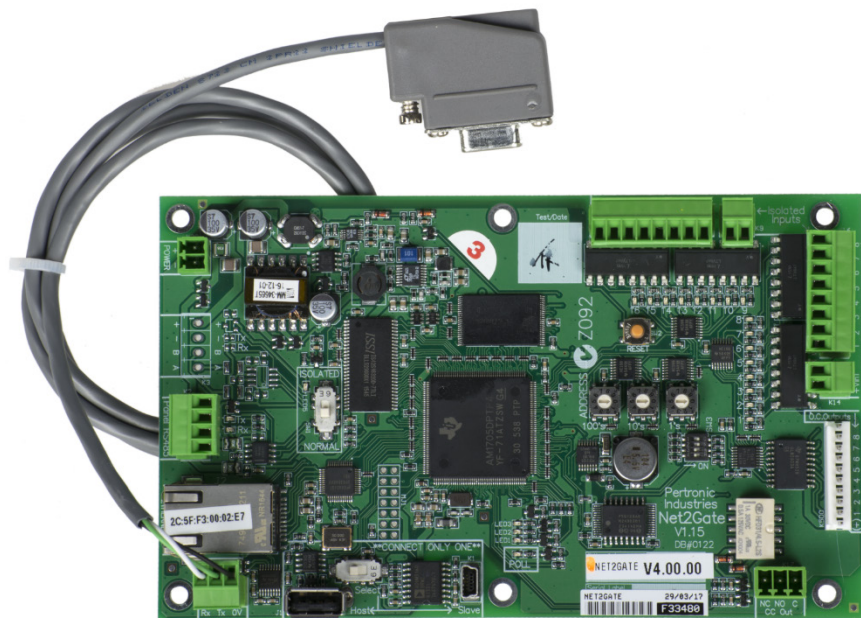
PO Box 15-867  
New Lynn  
Auckland 0640  
359 Onehunga Mall  
Onehunga  
Auckland 1061  
Tel (09) 633-0226

## Product Overview:

The **Pertronic Ethernet Gateway Mk2 Card (NET2GATE)** enables Pertronic analogue addressable panels to interface to an Ethernet network. The gateway card is used in conjunction with the Pertronic FireMap® graphic system for remote management and monitoring of Pertronic analogue addressable fire alarm panels over an IP based Ethernet LAN or the internet. The gateway card formats, filters and distributes the panel data to the Ethernet, leaving the panel with the important task of detecting and reporting alarms.

Typically mounted inside the fire alarm panel, the Ethernet gateway card allows data from the panel's RS485 mimic port to be available to external equipment, such as Pertronic FireMap®, enabling the status of the panel to be shown pictorially with user control facilities for Isolate, Acknowledge and Reset. This provides remote interrogation of the panel to allow detector status to be checked and other functions.

16 digital inputs are available to interface with other equipment, such as Pertronic or third party conventional fire alarm control panels to signal multiple event types to the Pertronic FireMap® graphics system.



## Features:

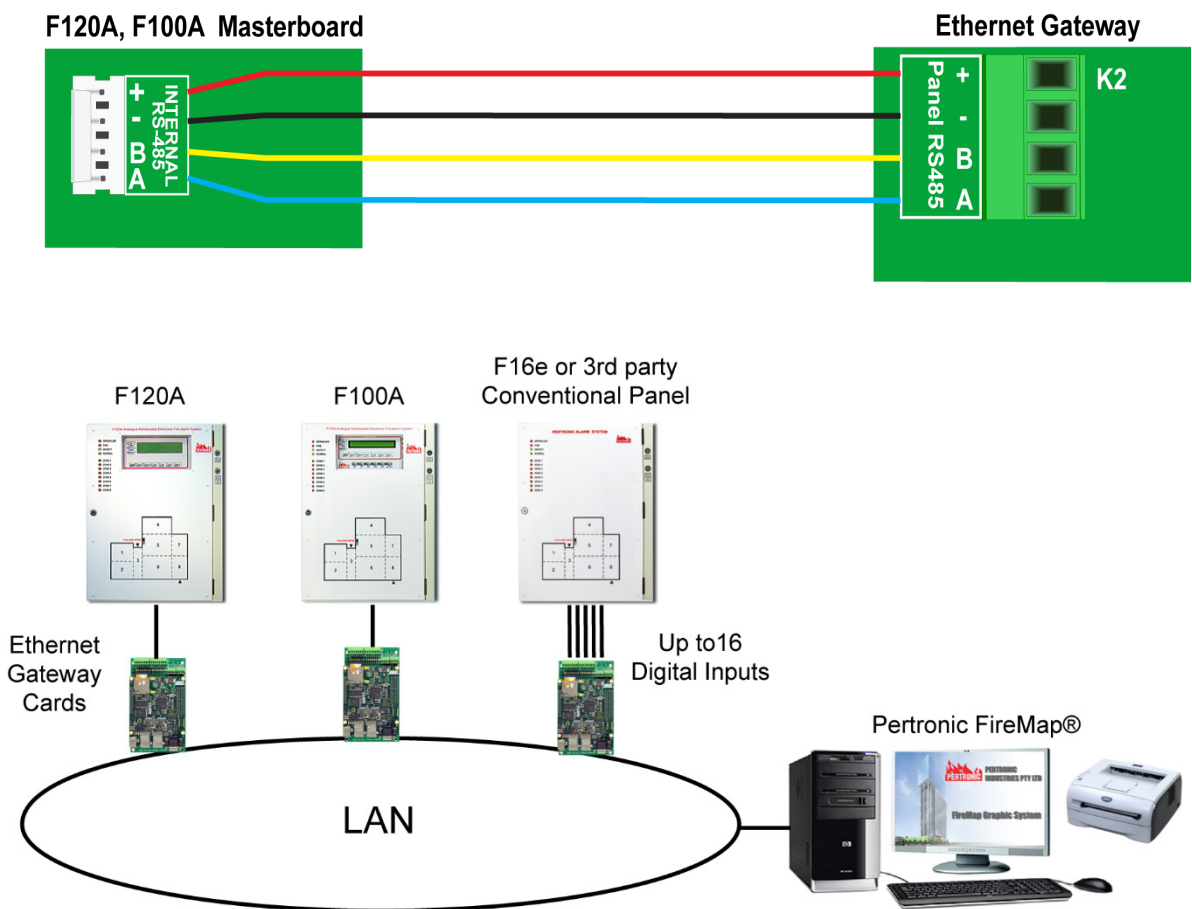
- ▶ Standard TCP / IP Ethernet interface
- ▶ Panel RS485 to Ethernet data conversion
- ▶ Web based configuration of Ethernet networking parameters
- ▶ Simple firmware upgrade via USB flash drive
- ▶ Low quiescent current
- ▶ IP, Netmask, Gateway address configurable via web interface

## Specifications:

<b>Electrical:</b>	<b>Operating Voltage</b> 18 to 30 V	<b>Quiescent Current</b> 60 mA
<b>Environmental:</b>	<b>Operating Temperature Range</b> -10 °C to 50 °C	<b>Humidity</b> ≤ 95 %, RH (non-condensing)
<b>Mechanical:</b>	<b>Dimensions</b> 100 x 166 x 20 mm (H x W x D)	<b>Weight</b> 162 g

- ▶ **Ethernet Interface:** Number of ports: 1  
Speed: 10/100 Mbps  
Connector: 8-pin RJ45
- ▶ **RS485 Interface:** Number of Ports: 1  
Speed: 9600 bps - 19.2 Kbps capable  
Connector: 4-pin screw terminal
- ▶ **RS232 Serial Interface:** 1 3-pin screw terminal
- ▶ **USB Interface:** 2 Switched Host and Slave connectors
- ▶ **Direct Digital Inputs:** 16 Interface for Pertronic or third party conventional equipment
- ▶ **Mounting Holes:** Six, 4 mm dia, spaced at 76 mm x 89 mm and 152 mm x 89 mm

**Connection Diagram:**



**Ordering Information:**

Product Codes	Description
NET2GATE	Network Gateway Card Mk2

**Head Office:**  
17 Eastern Hutt Rd, Wingate, Lower Hutt 5019  
Telephone (04) 567-3229

**PERTRONIC INDUSTRIES LTD**

www.pertronic.co.nz  
sales@pertronic.co.nz  
tech@pertronic.co.nz

**Auckland Office:**  
59 Onehunga Mall, Onehunga, Auckland 1061  
Telephone (09) 633-0226