

Ethernet Gateway Card Mk2 (NET2GATE)

Head Office

Wellington

PO Box 35-063
Naenae, 5011
Lower Hutt
17 Eastern Hutt Rd
Wingate
Lower Hutt 5019
Tel (04) 567-3229
Fax (04) 567-3644

www.pertronic.co.nz

sales@pertronic.co.nz
tech@pertronic.co.nz

Auckland Office

PO Box 15-867
New Lynn
Auckland 0640
359 Onehunga Mall
Onehunga
Auckland 1061
Tel (09) 633-0226
Fax (09) 633-0228



ISO 9001:2008

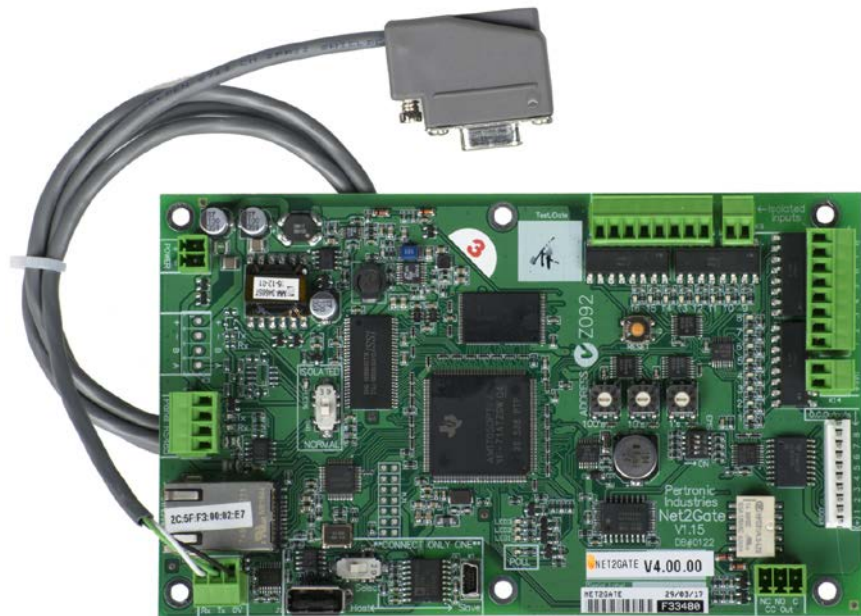
Certificate No:
205487-2016-
AQ-AUS-JAS-ANZ

Product Overview:

The **Pertronic Ethernet Gateway Mk2 Card (NET2GATE)** enables Pertronic analogue addressable panels to interface to an Ethernet network. The gateway card is used in conjunction with the Pertronic FireMap graphics system for remote management and monitoring of Pertronic analogue addressable fire alarm panels over an IP based Ethernet LAN or the internet. The gateway card formats, filters and distributes the panel data to the Ethernet, leaving the panel with the important task of detecting and reporting alarms.

Typically mounted within the fire alarm panel, the Ethernet gateway card allows data from the panel's RS485 mimic port to be available to external equipment, such as the Pertronic FireMap, enabling the status of the panel to be shown pictorially with user control facilities for Isolate, Acknowledge and Reset. This provides remote interrogation of the panel to allow detector status to be checked and other functions.

16 digital inputs are available to interface with other equipment, such as Pertronic or third party conventional fire alarm control panels to signal multiple event types to the Pertronic FireMap graphics system.



Features:

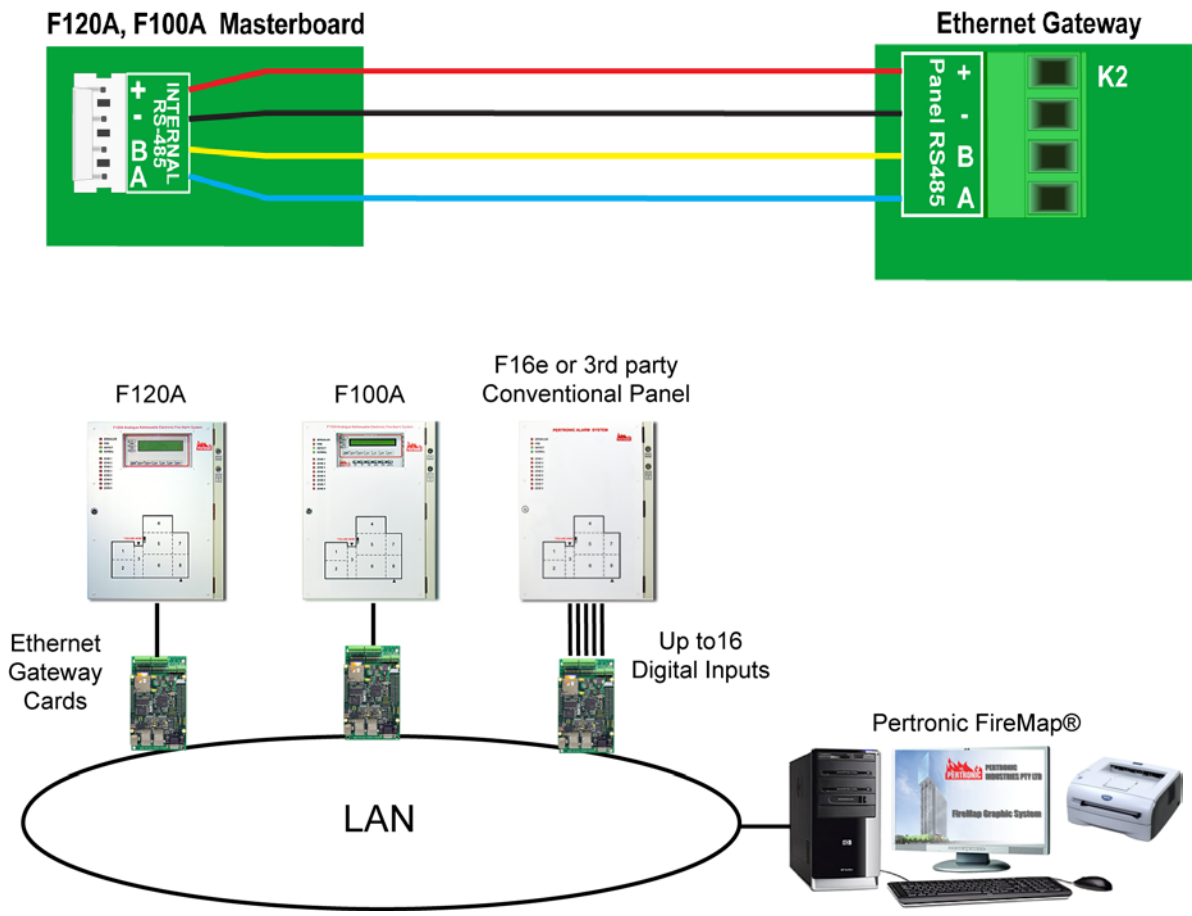
- ▶ Standard TCP / IP Ethernet interface
- ▶ Panel RS485 to Ethernet data conversion
- ▶ Web based configuration of Ethernet networking parameters
- ▶ Simple firmware upgrade via USB flash drive
- ▶ Low quiescent current

Specifications:

Electrical:	Operating Voltage 18 to 30 V	Quiescent Current 60 mA
Environmental:	Operating Temperature Range -10 °C to 50 °C	Humidity ≤ 95 %, RH (non-condensing)
Mechanical:	Dimensions 100 x 166 x 20 mm (H x W x D)	Weight 162 g

- ▶ **Ethernet Interface:** Number of ports: 1
Speed: 10/100 Mbps
Connector: 8-pin RJ45
- ▶ **RS485 Interface:** Number of Ports: 1
Speed: 9600 bps - 19.2 Kbps capable
Connector: 4-pin screw terminal
- ▶ **RS232 Serial Interface:** 1
3-pin screw terminal
- ▶ **USB Interface:** 2
Switched Host and Slave connectors
- ▶ **Direct Digital Inputs:** 16
Interface for Pertronic or third party conventional equipment

Connection Diagram:



Ordering Information:

Product Codes	Description
NET2GATE	Network Gateway Card Mk2

Head Office:

17 Eastern Hutt Rd, Wingate, Lower Hutt 5019
Telephone (04) 567-3229 Fax (04) 567-3644

PERTRONIC INDUSTRIES LTD

www.pertronic.co.nz
sales@pertronic.co.nz
tech@pertronic.co.nz

Auckland Office:

59 Onehunga Mall, Onehunga, Auckland 1061
Telephone (09) 633-0226 Fax (09) 633-0228

'Pertronic' and 'Firetronix' are registered trademarks of Pertronic Industries Ltd