

Head Office

Wellington

PO Box 35-063
Naenae
Lower Hutt 5041
17 Eastern Hutt Rd
Wingate
Lower Hutt 5019
Tel (04) 567-3229
Fax (04) 567-3644

www.pertronic.co.nz

sales@pertronic.co.nz
tech@pertronic.co.nz

Auckland Office

PO Box 15-867
New Lynn
Auckland 0640
359 Onehunga Mall
Onehunga
Auckland 1061
Tel (09) 633-0226
Fax (09) 633-0228



ISO 9001: 2008

International
Standards
Certifications
QAC/R64/0012

Product Overview:

Electromagnetic Door Holders allow fire detection and alarm systems to control fire doors. When energised, the electromagnet holds the door open by magnetically attracting a keeper on the door. In the event of a fire alarm the electromagnet is de-energised, releasing the door.

Pertronic fire alarm control panels offer several methods of controlling electromagnetic door holders, including panel door holder relays, analogue addressable relay modules, and **Pertronic Ancillary Peripherals**.

Each door holder has a manual release switch, reverse polarity protection diode, and suppression diode. It is supplied complete with an adjustable keeper.



Features:

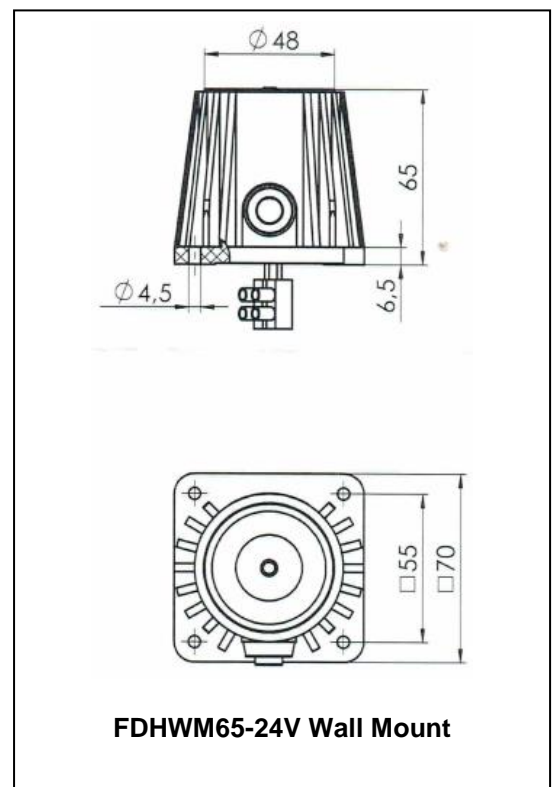
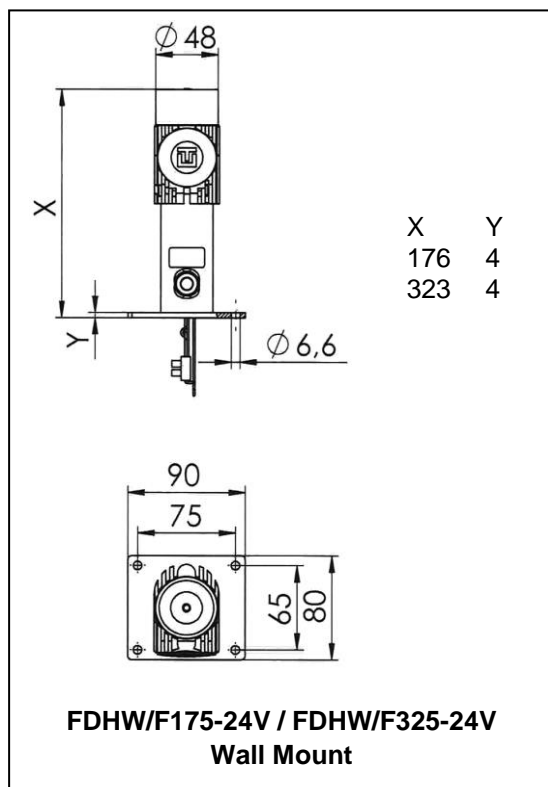
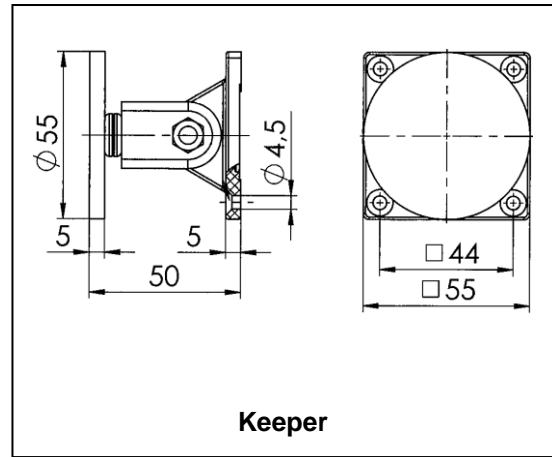
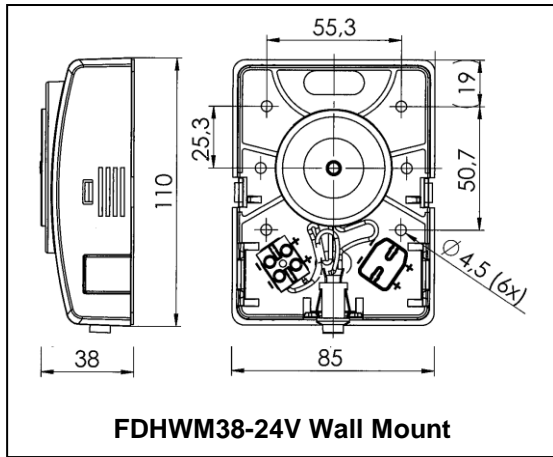
- ▶ Electromagnetic door holder
- ▶ Adjustable keeper
- ▶ Wall mount and floor mount versions
- ▶ Tested according to EN1155 (Electrically powered hold-open devices)
- ▶ Manual release switch
- ▶ Reverse polarity and suppression diodes

Specifications:

▶ Operating Voltage	20.4 V to 27.6 V	
▶ Power Consumption	1.6 Watt	
▶ Nominal Current	66 mA	
▶ Duty Cycle	100 %	
▶ Holding Force with 24 V	40 kgf	
▶ Protection Class	IP42	
▶ Corrosion Protection Grade EN1155	3	
▶ Ambient Temperature	- 5 °C to + 50 °C	
▶ Dimensions	FDHWM38-24V	110 h x 85 w x 38 d mm
	FDHWM65-24V	70 h x 70 w x 65 d mm
	FDHW/F175-24V	80 l x 90 w x 176 h mm
	FDHW/F325-24V	80 l x 90 w x 323 h mm

	<p>FDHWM38-24V Wall Mount</p> <p>This model features a manual release button that can be positioned on either side, or on top of the housing, without altering the wiring. Unused switch mounting positions can be used for cable entry. There is also an optional cable entry position at the back.</p>
	<p>FDHWM65-24V Wall Mount</p> <p>Designed to bridge a wider gap between wall-mounting and door.</p>
	<p>FDHW/F175-24V & FDHW/F325-24V Wall or Floor Mount</p> <p>These products feature an electromagnet that may be fitted in either of two mounting positions, so they are easily changed from wall mount to floor mount.</p> <p>The electromagnet's position on the distance tube can be adjusted slightly.</p> <p>For larger adjustment the distance tube can be cut down.</p>
	<p>FDHFLBKT Floor Mount</p> <p>This bracket allows the FDHWM38-24V to be floor-mounted. The door holder can be mounted between the heavy-duty side-plates, which provide excellent protection against damage from accidental knocks. Alternatively, the door holder can be mounted on the other side of the bracket, allowing easier access to the door holder and cabling.</p>

Outline:



Product Code	Description
FDHW/F175-24V	Fire Door Holder, Wall/Floor Mount, 150/175 mm, 24Vdc, 66 mA, 40Kgf
FDHW/F325-24V	Fire Door Holder, Wall/Floor Mount, 300/325 mm, 24Vdc, 66 mA, 40Kgf
FDHWM38-24V	Fire Door Holder, Wall Mount, Slim 38 mm, 24Vdc, 66 mA, 40Kgf
FDHWM65-24V	Fire Door Holder, Wall Mount, Extended 65 mm, 24Vdc, 66 mA, 40Kgf
MAGDHPSU-MK2	Magnetic Door Holder PSU MK2, 24V 5A
FDHFLBKT	Floor Mounting Bracket for FDHWM38-24V

PERTRONIC INDUSTRIES LTD

Head Office:

17 Eastern Hutt Rd, Wingate, Lower Hutt 5019
Telephone (04) 567-3229 Fax (04) 567-3644

www.pertronic.co.nz
sales@pertronic.co.nz
tech@pertronic.co.nz

Auckland Office:

359 Onehunga Mall, Onehunga, Auckland 1061
Telephone (09) 633-0226 Fax (09) 633-0228

'Pertronic' and 'Firetronix' are registered trademarks of Pertronic Industries Ltd