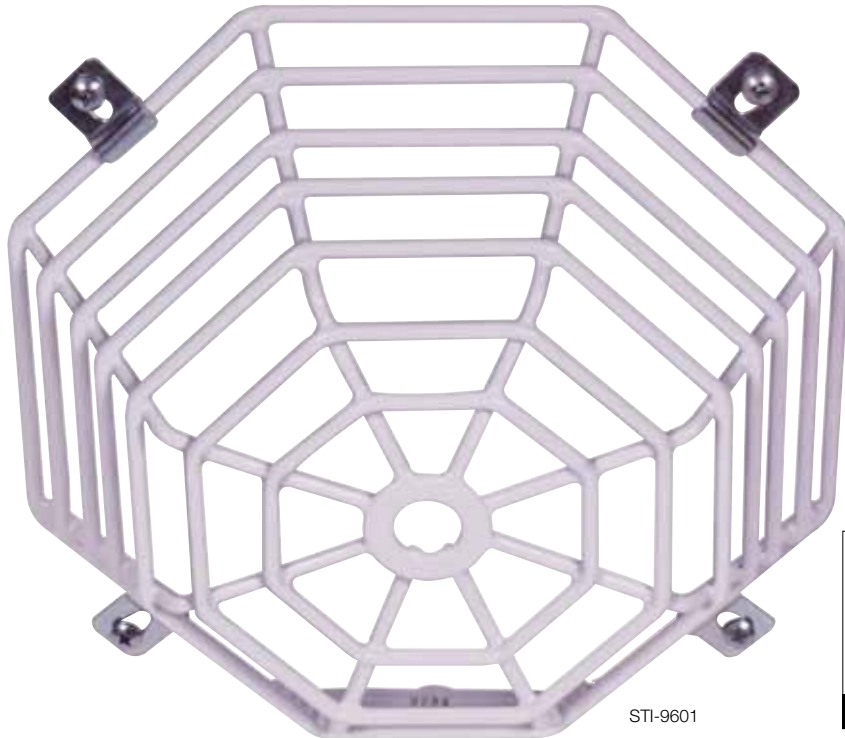


STI Steel Web Stoppers®



STI-9601

FEATURES

- Patented (D368,670) web-like octagon shape of 9-gauge steel wire makes them extremely difficult to break.
- Models to fit virtually all smoke detectors available today.
- Steel Web Stoppers have corrosion resistant polyester coating (stainless steel models have no coating).
- UL Listed to U.S. safety standards (S3504) for any UL Listed detector, does not require any sensitivity adjustment (see reverse for details).
- UL Listing for STI-9713 (S3504) with detectors listed on reverse.
- Tamper resistant hardware is available.
- CSFM (7300-1416:100) Approved (9600 Series only).
- Stainless steel versions available for flush mount or surface mount.
- Fast and easy installation.
- Simple removal for servicing detector.
- May be spray painted once prior to installation to match decor.
- Three year guarantee against breakage in normal use.

PRODUCT OVERVIEW

STI borrowed from nature's master builder, the spider, to create a web of protection from vandalism and accidental damage with these UL Listed wire guards. They are constructed of 9-gauge steel wire with corrosion resistant polyester coating or 9-gauge stainless steel wire. Together, they cover virtually every smoke detector model available today.

BACKED BY A THREE YEAR GUARANTEE

As all STI protective covers, these Steel Web Stoppers are backed by a three year guarantee against breakage in normal use. Highly recommended for areas where abuse to smoke detectors is severe. Installation is easy with anchors and screws provided. Models available for both flush and surface mount detectors.

STI Steel Web Stoppers®

Dimensions and Technical Information

MODELS AVAILABLE

- STI-9601** Steel Web Stopper, Low Profile - Flush Mount
- STI-9601-SS** Steel Web Stopper, Low Profile - Flush Mount - Stainless Steel
- STI-9602** Steel Web Stopper, Low Profile - Surface Mount
- STI-9604** Steel Web Stopper for Mini Smoke Detectors - Flush Mount
- STI-9604-SS** Steel Web Stopper for Mini Smoke Detectors - Flush Mount - Stainless Steel
- STI-9605** Steel Web Stopper for Mini Smoke Detectors - Surface Mount
- STI-9605-SS** Steel Web Stopper for Mini Smoke Detectors - Surface Mount - Stainless Steel
- STI-9609** Steel Web Stopper, High Profile - Flush Mount
- STI-9609-SS** Steel Web Stopper, High Profile - Flush Mount - Stainless Steel
- STI-9610** Steel Web Stopper, High Profile - Surface Mount
- STI-9712** Steel Web Stopper for Photoelectric Smoke Detector - Surface Mount (Not UL Tested)
- STI-9713** Steel Web Stopper for Photoelectric Smoke Detector - Flush Mount
- SUB-82** Tamper resistant stainless steel screws, #8 X 1 1/2 in. snake eye (quantity 4)
- 19038** Spanner bit for tamper resistant screws with 5/16 in. hex drive
- STI-8170** Polycarbonate mounting backplate for flush and surface mount models. Recommended for irregular and unstable mounting surfaces such as drop ceilings and beams

APPROVALS & WARRANTY

TESTING

STI-9601 - STI-9610 Series UL Listing

- Underwriter Laboratories No. S3504 for any UL Listed smoke detector, does not require any sensitivity adjustment
- California State Fire Marshal No. 7300-1416:100
- MEA approved #49-00-E

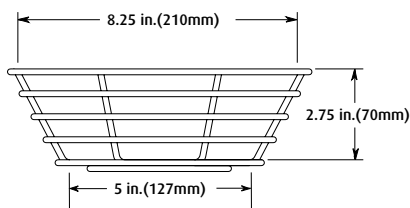
STI-9713 UL Listing

- Underwriter Laboratories No. S3504 for specific detectors listed below (manufactured after June 1, 2004):
ADT 2951ADT, EST 2251FB, FCI ASD-PL2, Fire-Lite SD355, Gamewell SS-P, Honeywell TC806B1076, JCI 2951J, Mircom MIX-2251B, Notifier FSP-851, Secutron MRI-2251B, System Sensor 2251B

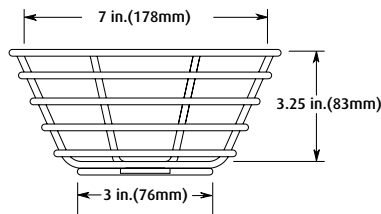
WARRANTY

Three year guarantee against breakage in normal use.

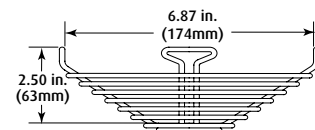
NOTE: STI also offers other models of Steel Web Stoppers to cover smoke beam detectors, PIRs, bells, clocks, exit signs and similar devices. For additional information, please contact your distributor or Safety Technology International.



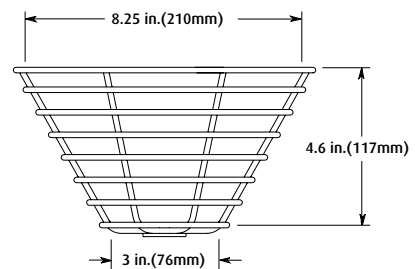
STI-9601
STI-9601-SS



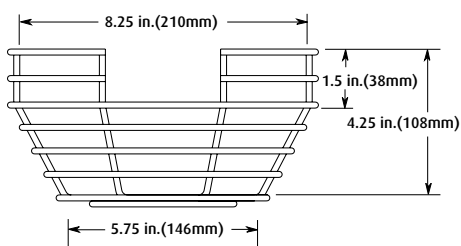
STI-9604
STI-9604-SS



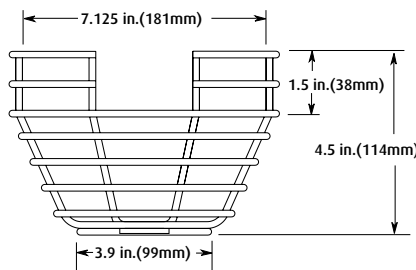
STI-9713



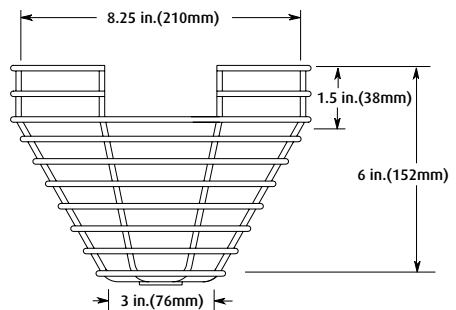
STI-9609
STI-9609-SS



STI-9602



STI-9605
STI-9605-SS



STI-9610



Safety Technology International, Inc.

2306 Airport Road
Waterford, Michigan
48327, USA

Tel: 248-673-9898
Fax: 248-673-1246
Tollfree: 800-888-4784
info@sti-usa.com
www.sti-usa.com

Unit 49G Pipers Road
Park Farm Industrial Estate
Redditch, Worcestershire
B98 0HU England

Tel: 44 (0) 1527 520 999
Fax: 44 (0) 1527 501 999
Free: 0800 085 1678 (UK)
www.sti-europe.com