

# F4 Type 5 Conventional Fire Alarm Control Panel



## Overview

The Pertronic F4 Type 5 Conventional Fire Alarm Panel is a four-zone fire alarm control panel. It is configured for small residential applications and complies with NZS 4512:2010.

The F4 Type 5 supports Pertronic indicating manual call points (MCP), Pertronic indicating heat detectors and System Sensor smoke detectors. This panel has one internal 20 Watt evacuation amplifier.

## Features

- > Optional Front Service or Rear Service formats
- > Front panel:
  - > Indicators: Fire (per circuit); Normal; Defect
  - > Key-switches: Trial Evacuation, Silence Alarms
- > 20 Watt amplifier with voice message
- > Supervised Bell circuit
- > Alarm and Defect buzzer
- > Fire & Defect changeover relays
- > Electrically-isolated alarm transmitter (SGD) interface
- > Internal switches: Bell Cut-Off (BCO); Fire Relay Isolate; Brigade Isolate; Test; Reset
- > On-board system defect LED indicates source of fault
- > Optional F4-RMAX board provides a remote LED mimic connection, plus additional Fire and Defect relays
- > Optional brigade connection using internally mounted Pertronic SGD7 or SGD8 transmitter
- > Silence Alarms (BCO) key-switch provides reset and isolate functions (see Technical Manual for details)
- > Automatic Alarm Verification Facility (AVF) protects against transient unwanted alarm activation
- > Door Interlock
- > Earth leakage supervision
- > Automatic daily battery and detection circuit test
- > Automatic Battery Absent detection

## Type 5 Features

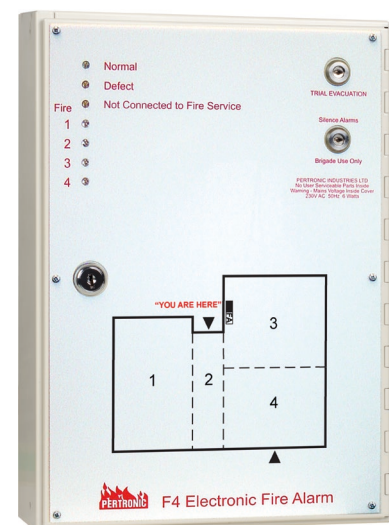
- > Provides up to four NZS 4512 Type 5 Local Zones
- > Zone 1 configurable as Global Brigade Calling zone
- > Zone 4 configurable as Sprinkler (DBA) Monitoring input
- > 'NOT CONNECTED TO FIRE SERVICE' LED indicator
- > Optional Zonal Hush button silences local sounders for 2 minutes if they have been activated by Smoke detectors within that zone
- > Detectors automatically reset at end of the hush period if the smoke has cleared

## Optional Global Hush (Non brigade connected systems only)

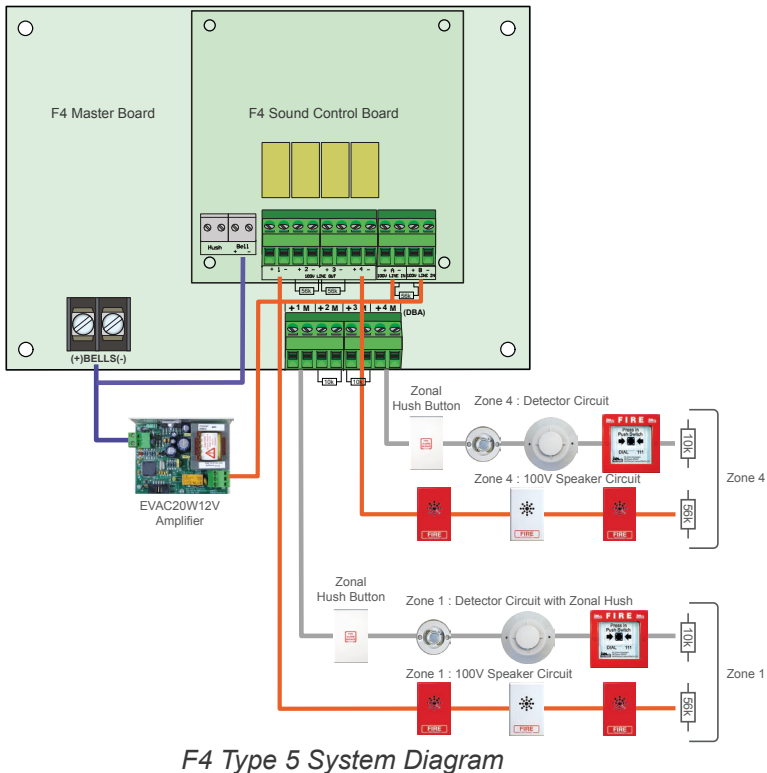
- > Hushes all sounders generated by any zone, except zone 4 if configured as sprinkler monitoring (DBA) input
- > Subsequent activation of another Detector/MCP on any other zone over-rides the hush period
- > Global hush must not be used on systems that are required to comply with NZS 4512:2010

## Specification

Electrical	
Power Supply	230 Vac 50 Hz 5 W, 13.7 Vdc 400 mA
Quiescent Current	28 mA @ 12 Vdc
Defect Current	32 mA @ 12 Vdc
Alarm Current	155 mA @ 12 Vdc plus sounder load
Battery (internal)	
Capacity	12 Vdc, 7 Ah
Type	Sealed lead acid (gel cell)
Integral Float Charger	13.7 Vdc, 350 mA
Environmental	
Operating Temperature	0 to +40° C
Humidity	10 to 95% RH (non-condensing)
Mechanical	
Overall Dimensions	
Front service	350 x 245 x 87 (H x W x D mm)
Rear Service	350 x 245 x 92 (H x W x D mm)
Weight	2.2 kg excluding battery
Cabinet Material	1.2 mm mild steel powder coated
Colour	Off white



Pertronic F4 Type 5



F4 Type 5 System Diagram

## Detection Zone Circuits

- > Four circuits terminated with 10 kΩ EOL resistors
- > Accept a mix of System Sensor detectors, Pertronic indicating heat detectors and indicating MCPs
- > Each circuit may have:
  - Up to 40 System Sensor smoke or heat detectors
  - A total of 100 Pertronic indicating heat detectors or indicating MCPs (See important notes below)
- > Zonal Hush facility is provided by one or more normally-open switches

## Ordering Information

Product Code	Description	NZFPFA Listing
F4RS-3EAT5	F4 RS Type 5 Rear Service Fire Panel with 20W Amplifier	PI/121
F4FS-3EAT5	F4 FS Type 5 Front Service Fire Panel with 20W Amplifier	PI/121

### Important Notes:

- > Within the total allowance of 100 Pertronic indicating MCPs and Pertronic indicating heat detectors per zone circuit, the circuit is limited to a maximum of 50 Pertronic V-series indicating heat detectors.
- > Non-indicating heat detectors and MCPs will NOT produce a Fire Alarm signal when triggered and MUST NOT be used with the NZS 4512:2010 standard F4 Type 5 panel. A hard short-circuit or open-circuit on a Pertronic NZS 4512:2010 conventional detection circuit will produce a defect signal.

The information in this document must not be treated as partial or complete instructions for the design, construction, installation, commissioning, or maintenance of fire detection, fire alarm, or building evacuation systems. Fire and evacuation systems must be designed and installed by properly qualified persons, in accordance with all regulatory requirements.

Unless explicitly stated otherwise, this document provides typical specifications and nominal dimensions. Actual product performance and dimensions may vary. All information in this document is subject to change. Please consult Pertronic Industries or visit our web site for up to date information.

PERTRONIC® is a registered trademark of Pertronic Industries Limited.

