

# PERTRONIC INDUSTRIES LTD

## DATASHEET

### F100A LCD Mini Mimics

(F100AMM-3, F100AMMR-3, F100AMMRZ-3, F100AMMRZ-3NR, F100AMM)



## Overview

The Pertronic Mini-Mimic allows F100A or F220 fire alarm messages to be displayed at locations remote from the fire panel.

LCD Mini Mimics may be connected in one of three modes:

Full mode:

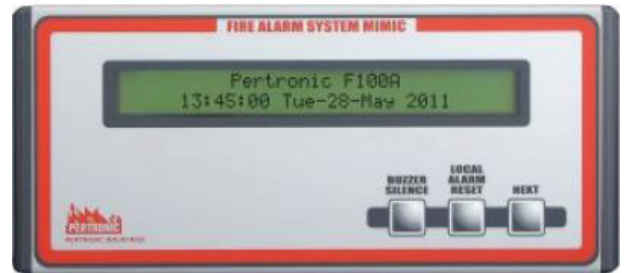
- » The panel and mimic have full poll/response functions
- » All messages, 'Alarm', 'Defect' and 'System', are displayed
- » All system buttons function as mapped

Slave mode:

- » The panel and mimic have no poll/response functions
- » No command interaction is available, except for silencing the in-built buzzer

Alarm Only mode:

- » 'Defect' or other system messages are not displayed, providing an unambiguous display for 'Alarm' messages



F100A LCD Mini Mimic

## Features

F100AMM:

- » 2 line, 40 character, alpha-numeric LCD display.
- » Backlit LCD Display in 'Alarm' Condition.
- » May be configured to display all messages, or 'Alarm'(s) only.
- » Local buzzer with extension buzzer output.
- » 'Buzzer Silence' switch: cancels the in-built buzzer.
- » Low Power Consumption.

F100AMM-3: as for F100AMM, plus;

- » 'Next' switch: allows selection of queued messages for NZFS use as required by NZS4512:2010

Optional Features:

F100AMMR: as for F100AMM, plus;

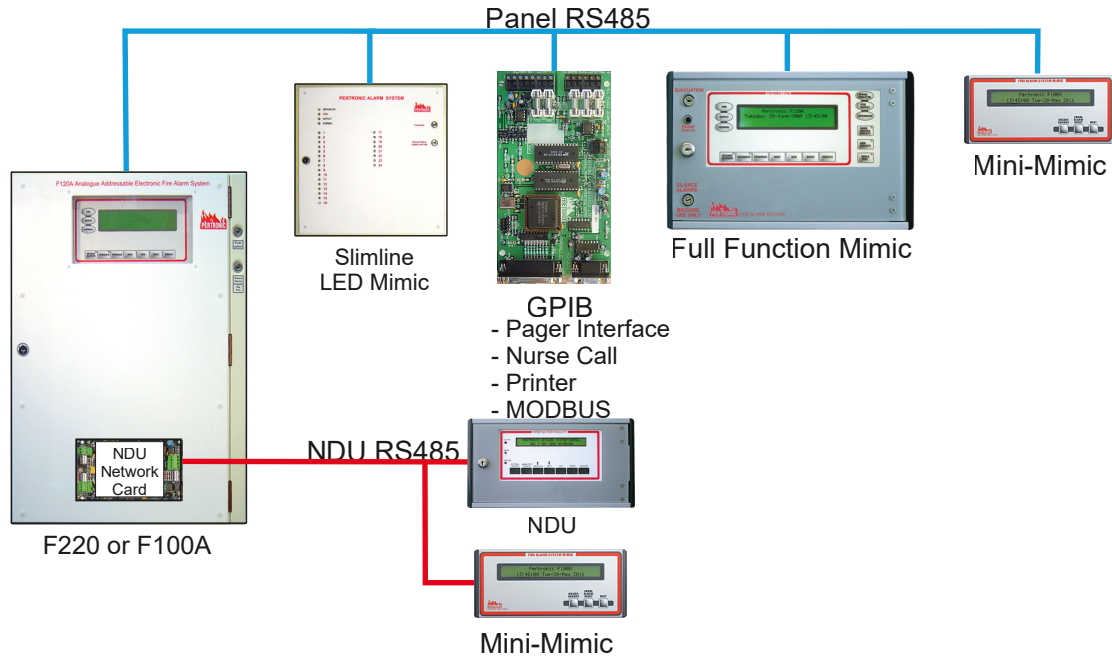
- » 'Local Alarm Reset' switch: resets 'Non-Brigade Calling' detectors.
- » F100AMMR-3: as for F100AMM-3, plus;
- » 'Local Alarm Reset' switch: resets 'Non-Brigade Calling' detectors.

» Also compatible with Pertronic F120A

## Specification

<b>Operating Voltage</b>		24 Vdc
<b>Current</b>	<b>Quiescent</b>	5 mA
	<b>Alarm Active</b>	46 mA @ 27 Vdc 52 mA @ 20 Vdc
<b>Dimensions (H x W x D mm)</b>		105 x 236 x 31 mm
<b>Weight</b>		950 g
<b>Operating Temperature</b>		0 °C to +40 °C
<b>Operating Environment</b>		10 to 95 % RH (non-condensing)
<b>Material</b>		1.2 mm Steel
<b>Colour</b>		Apo Grey

## Connection Diagram



## Installation/Commissioning

- » Wire SGD Cable (DC Supply and RS-485 twisted pair) from the Pertronic Analogue Addressable panel to the Mini-Mimic connector K2 and wire from K10 to the next Mimic device.
- » Connect a 470Ω resistor in the A and B terminals of K10 to provide End-of-Line termination on the last device (LCD or LED Mimic)

Set address links:

F100A	F120A	Function
Address 0	Address 0	'Slave' LCD Mimics - Display Only
Address 1 to 8	Address 1 to 29	Polled LCD Mini-Mimics

Note: a maximum 32 devices may be connected to the External RS485 port of Analogue Addressable Panels.

## Ordering Information & Notes

Product Code	Description
F100AMM-3	F100A LCD Mini Mimic
F100AMMR-3	F100A LCD Mini Mimic c/w Reset
F100AMMRZ-3	F100A LCD Mini Mimic Zone Select Alarm Only (NZ or AUS)
F100AMMRZ-3NR	F100A LCD Mini Mimic Zone Select No Reset
F100AMM	F100A LCD Mini Mimic Without NEXT

The information in this document must not be treated as partial or complete instructions for the design, construction, installation, commissioning, or maintenance of fire detection, fire alarm, or building evacuation systems. Fire and evacuation systems must be designed and installed by properly qualified persons, in accordance with all regulatory requirements.

Unless explicitly stated otherwise, this document provides typical specifications and nominal dimensions. Actual product performance and dimensions may vary.

All information in this document is subject to change. Please consult Pertronic Industries or visit our web site for up to date information.

PERTRONIC® is a registered trademark of Pertronic Industries Limited.