



## Selectable Output Horns, Strobes, and Horn Strobes

*System Sensor selectable output horns, strobes, and horn strobes are rich with features guaranteed to reduce installation times and maximize profits.*

### Features

- Mounting plate included for compatibility with a wide range of back box sizes
- Three field selectable candela settings: 15, 75, and 115
- Easy to use rotary dials for selection of candela and horn settings
- Built in synchronization feature keeps strobes in sync for up to 30 minutes
- Strobes Listed to UL 1638; Horns Listed to UL 464
- Horn settings on the horn strobe model include high and low volume, continuous or temporal 3 tone
- Round trim ring available for ceiling mount applications
- Universal Fire symbol is language independent
- Trim plate allows mini horn to mount to a variety of back boxes and fit aesthetically with the horn strobe and strobe

### Agency Listings



**The System Sensor line of notification devices** offers the most flexible and easy-to-use line of horns, strobes, and horn strobes in the industry. With white and red housing, universal fire symbol and a ceiling mount accessory available these devices can meet virtually any application. They also mount to a wide variety of back box sizes to offer the most flexibility in installation.

This line of devices features a wide variety of features that simplifies installations. The mounting plate allows the devices to be compatible with a wide range of back box sizes. Settings for the strobe and horn are done using easy to set rotary switches on the back of the device. Synchronization is achieved without the use of additional modules; when powered with a filtered DC source, the strobe portion is capable of self synchronization for 30 minutes per NFPA 72.

Devices work on 24 volts DC or full wave rectified power. Three candela options are available for the strobe. On the horn strobe model, high and low volume are options for the horn as well as a continuous tone or temporal 3 output. The mini horn model has a continuous tone output and one volume setting.

Available accessories include a round trim ring to adapt the wall device for ceiling mount applications. Simply install the round ring over the square device for a perfect fit on the ceiling. An adapter plate is also available for the mini horn. It fits to a wider range of back boxes and fits with the family look of the horn strobe and strobe devices.

# System Sensor Specifications

## Architect/Engineer Specifications

### General

System Sensor strobe and horn strobes shall mount to a 2"x4", 4"x4", single-gang, double-gang, 4" Octagon, 105mm x 105mm, 65mm round, 86mm x 86 mm, 60mm x 60mm back box. System Sensor devices shall be powered from a non-coded notification appliance circuit output and shall operate on a nominal 24 volts. 24-volt-rated notification appliance circuit outputs shall operate between 17 and 33 volts. Devices operate between 32 and 120 degrees Fahrenheit from a regulated DC or full-wave rectified unfiltered power supply. Strobes and horn strobes shall have field-selectable candela settings including 15, 75 and 115 cd. The devices shall not operate on a coded power supply. Horn - strobe and strobe devices shall have built-in synchronization capability. Upon initial power up the devices shall be synchronized for up to 30 minutes.

### Strobe

The strobe shall be a System Sensor Model \_\_\_\_\_ listed to UL 1638 and shall be approved for fire protective service. The strobe shall be wired as a primary-signaling notification appliance flashing at 1 Hz over the strobe's entire operating voltage range. The strobe light shall consist of a xenon flash tube and associated lens/reflector system.

### Horn Strobe Combination

The horn strobe shall be a System Sensor Model \_\_\_\_\_ listed to UL 1638 and UL 464 and shall be approved for fire protective service. The horn strobe shall be wired as a primary-signaling notification appliance and comply with the Americans with Disabilities Act requirements for visible signaling appliances, flashing at 1 Hz over the strobe's entire operating voltage range. The strobe light shall consist of a xenon flash tube and associated lens/reflector system. The horn shall have two audibility options and an option to switch between a temporal three-pattern and a non-temporal (continuous) pattern. These options are set by a multiple position switch.

### Mini Horn

The mini horn shall mount to a single-gang back box. With the accessory trim plate it shall mount to a 2" x 4", 4" x 4", single-gang, double-gang, 105mm x 150mm, 65mm round, 86mm x 86mm, 60mm x 60mm back box. The mini horn shall provide a continuous tone output.

## Physical/Electrical Specifications

<b>Standard Operating Temperature</b>	32°F to 120 °F (0°C to 49°C)
<b>Humidity Range</b>	10 to 93% non-condensing
<b>Strobe Flash Rate</b>	1 flash per second
<b>Nominal Voltage</b>	Regulated or regulated 24 DC/FWR <sup>1</sup>
<b>Operating Voltage Range<sup>2</sup></b>	16 to 33 V (24 V nominal)
<b>Input Terminal Wire Gauge</b>	14 to 18 AWG*
<b>Strobe And Horn Strobes Dimensions(including lens)</b>	5.15" L x 5.0" W x 1.5" D (131 mm L x 127mm W x 38mm D)
<b>Ceiling Trim ring Dimensions (sold as a pack of 5)</b>	6.8" dia / 1.5" depth (173 mm dia / 38mm depth)
<b>Mini Horn Dimensions</b>	4.6"L x 2.9" W x 0.45" D (117 mm L x 74 mm W x 11.5mm D)
<b>Mini Horn Trim Plate (sold as a pack of 5)</b>	5.1" L x 5.0" W x 1.73" D (131 mm L x 127 mm W x 43 mm D)

Full Wave Rectified (FWR) voltage is a non-regulated, time-varying power source that is used on some power supply and panel outputs.

\* Mini horn is rated for 12 to 18 AWG

## UL Current Draw Data

HORN/STROBE CURRENT DRAW (mA)			
DC Input	16-33 Volts		
	15 cd	75 cd	115 cd
Temporal High	48	80	98
Temporal Low	43	75	95
Continuous High	48	80	98
Continuous Low	43	75	95
FWR Input			
Temporal High	55	89	108
Temporal Low	50	84	103
Continuous High	55	89	108
Continuous Low	50	84	103

STROBE CURRENT DRAW (mA)				
	Switch Position	Candela	16-33 Volts	
			DC	FWR
Standard Candela Range	Position 1	15	37	45
	Position 2	75	71	71
	Position 3	115	89	92

## Horn Tones and Sound Output Data

HORN OUTPUT (dBA) IN UL REVERBERANT ROOM									
Switch Position	Sound Pattern	Volume	16-33 Volts †		24 V Nominal Measurements				
					Reverberant		Anechoic		
			DC	FWR	DC	FWR	DC	FWR	
1	Temporal	High	78	77	78	77	103	104	
2	Temporal	Low	74	73	74	73	100	101	
3	Continuous	High	82	80	82	80	103	104	
4	Continuous	Low	80	78	80	78	100	101	

† Minimum dB rating for Operational Voltage Range as per UL 464.

## Mini Horn Sound Output Data (dBA)

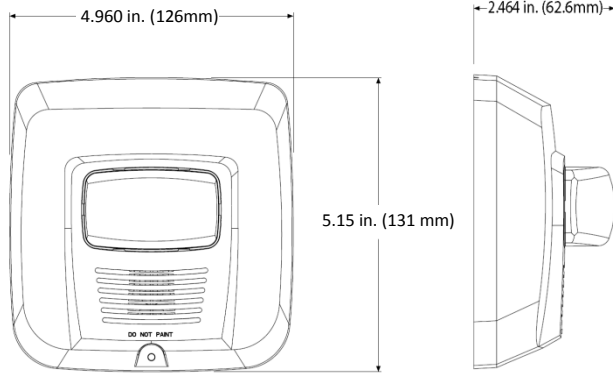
Tone	Power Supply	12V	24V
Continuous	DC	75	82
	FWR	75	80

## Mini Horn Current Draw (mA)

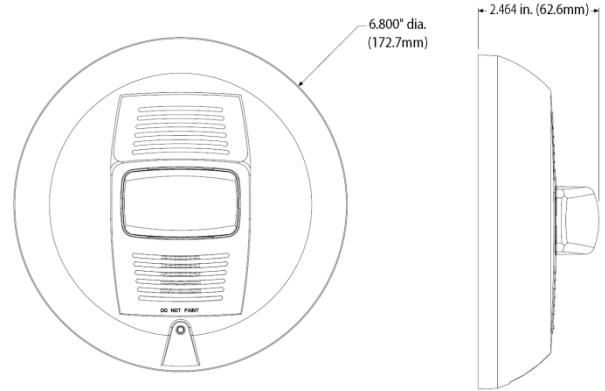
Tone	Power Supply	12V	24V
Continuous	DC	13	21
	FWR	13	22

## Candela Settings

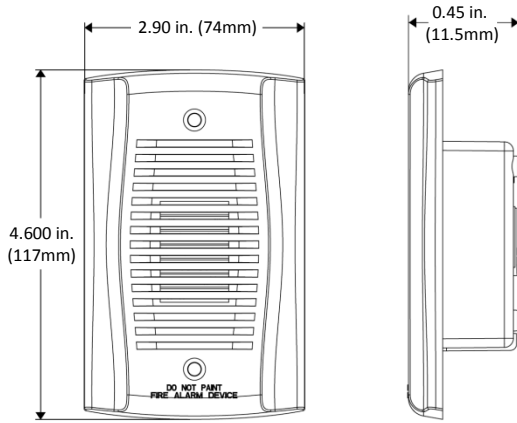
Rotary Switch Position	Candela Output - Clear lens	Candela Output - Red lens
1	15	3
2	75	16
3	115	25



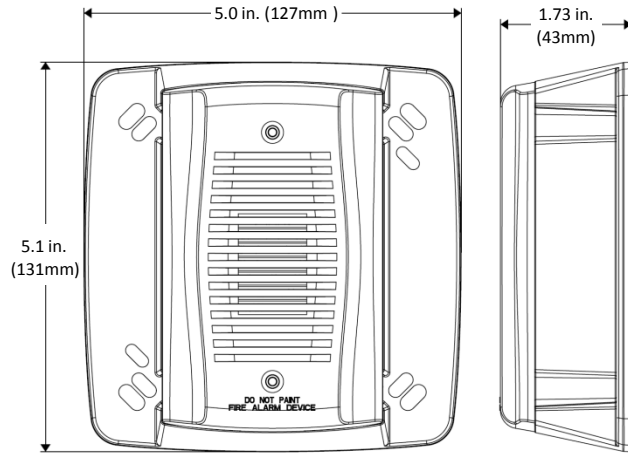
Wall Mount Horn Strobe Product



Wall Mount Horn Strobe with Optional Ceiling Trim Ring



Mini Horn



Mini Horn with Optional Trim Plate

### System Sensor Ordering Information

Model	Type				Housing Color		Lens Color		Lettering		House on Fire Symbol
	Horn Strobe	Horn	Strobe	Trim Plate	Red	White	Red	Clear	Chinese	English	
SYS-HS	✓				✓			✓			✓
SYS-HSR	✓				✓		✓		✓		✓
SYS-HSR-FIRE	✓				✓		✓			✓	✓
SYS-HSW	✓					✓		✓			✓
SYS-HSRW	✓					✓	✓		✓	✓	✓
SYS-HSRW-FIRE	✓					✓	✓			✓	✓
SYS-ST			✓		✓			✓			✓
SYS-STR			✓		✓		✓		✓		✓
SYS-STR-FIRE			✓		✓		✓			✓	✓
SYS-STW			✓			✓		✓			✓
SYS-STRW			✓			✓	✓		✓	✓	✓
SYS-STRW-FIRE			✓			✓	✓			✓	✓
SYS-CTP				✓	✓						✓
SYS-CTPR				✓	✓				✓		✓
SYS-CTPR-FIRE				✓	✓					✓	✓
SYS-CTPW				✓		✓					✓
SYS-CTPRW				✓		✓			✓	✓	✓
SYS-CTPRW-FIRE				✓		✓				✓	✓
MHR1		✓			✓						
SYS-MHTP				✓	✓						

