



Selectable Output Notification Devices

SpectrAlert® Advance selectable-output horns, strobes, and horn/strobes are rich with features guaranteed to cut installation times and maximize profits.



SPECTRAlert
ADVANCE
from System Sensor

The **SpectrAlert Advance series** of notification appliances is designed to simplify your installations, with features such as: plug in designs, instant feedback messages to ensure correct installation of individual devices, and eleven field-selectable candela settings for wall and ceiling strobes and horn/strobes.

More specifically, when installing Advance products, first attach a universal mounting plate to a four-inch square, four-inch octagon or double-gang junction box. The two-wire mounting plate attaches to a single-gang junction box.

Then, connect the notification appliance circuit wiring to the SEMS terminals on the mounting plate.

Finally, attach the horn, strobe or horn/strobe to the mounting plate by inserting the product's tabs in the mounting plate's grooves. The device will rotate into position, locking the product's pins into the mounting plate's terminals. The device will temporarily hold in place with a catch until it is secured with a captured mounting screw.

SpectrAlert Advance products allow you to choose:

- 12 or 24 volts
- At 24 volts, 15, 15/75, 30, 75, 95, 110, 115, 135, 150, 177 or 185 candela by way of rear-mounted slide switch and front viewing window
- Horn tones and volume by way of rotary switch

The SpectrAlert Advance series includes outdoor notification appliances. Outdoor strobes and horn/strobes (two wire and four wire) are available for wall or ceiling. Outdoor horns are available for wall only. All System Sensor outdoor products are rated between minus 40 degrees Fahrenheit and 151 degrees Fahrenheit in wet or dry applications.

Features

- Plug-in design
- Same mounting plate for wall- and ceiling-mount units
- Shorting spring on mounting plate for continuity check before installation
- Captive mounting screw
- Tamper resistance capability
- Field selectable candela settings on wall and ceiling units: 15, 15/75, 30, 75, 95, 110, 115, 135, 150, 177, 185
- Automatic selection of 12 or 24 volt operation at 15 and 15/75 candela
- Outdoor wall and ceiling products
- Outdoor products rated from -40° to 151°F
- Minimal intrusion into the back box
- Horn rated at 88+ dbA at 16 volts
- Rotary switch for tone selection
- 3 horn volume settings
- Electrically compatible with existing SpectrAlert products

Agency Listings



7125-1653:186 (indoor strobes)
7125-1653:187 (outdoor strobes)
7125-1653:188 (horn/strobes)
7125-1653:189 (horns)

SpectrAlert Advance Specifications

Architect/Engineer Specifications

General

SpectrAlert Advance horns, strobes and horn/strobes shall mount to a standard 4 × 4 × 1½-inch back box, 4-inch octagon back box or double-gang back box. Two-wire products shall also mount to a single-gang 2 × 4 × 1⅞-inch back box. A universal mounting plate shall be used for mounting ceiling and wall products. The notification appliance circuit wiring shall terminate at the universal mounting plate. Also, SpectrAlert Advance products, when used with the Sync-Circuit™ Module accessory, shall be powered from a non-coded notification appliance circuit output and shall operate on a nominal 12 or 24 volts. When used with the Sync-Circuit Module, 12-volt rated notification appliance circuit outputs shall operate between nine and 17.5 volts; 24-volt rated notification appliance circuit outputs shall operate between 17 and 33 volts. Indoor SpectrAlert Advance products shall operate between 32 and 120 degrees Fahrenheit from a regulated DC, or full-wave rectified, unfiltered power supply. Strobes and horn/strobes shall have field-selectable candela settings including 15, 15/75, 30, 75, 95, 110, 115, 135, 150, 177, 185.

Strobe

The strobe shall be a System Sensor SpectrAlert Advance Model _____ listed to UL 1971 and shall be approved for fire protective service. The strobe shall be wired as a primary-signaling notification appliance and comply with the Americans with Disabilities Act requirements for visible signaling appliances, flashing at 1Hz over the strobe's entire operating voltage range. The strobe light shall consist of a xenon flash tube and associated lens/reflector system.

Horn/Strobe Combination

The horn/strobe shall be a System Sensor SpectrAlert Advance Model _____ listed to UL 1971 and UL 464 and shall be approved for fire protective service. The horn/strobe shall be wired as a primary-signaling notification appliance and comply with the Americans with Disabilities Act requirements for visible signaling appliances, flashing at 1Hz over the strobe's entire operating voltage range. The strobe light shall consist of a xenon flash tube and associated lens/reflector system. The horn shall have three audibility options and an option to switch between a temporal three-pattern and a non-temporal (continuous) pattern. These options are set by a multiple position switch. On four-wire products, the strobe shall be powered independently of the sounder. The horn on horn/strobe models shall operate on a coded or non-coded power supply.

Outdoor Products

SpectrAlert Advance outdoor horns, strobes and horn/strobes shall be listed for outdoor use by UL and shall operate between minus 40 degrees and 151 degrees Fahrenheit. The products shall be listed for use with a System Sensor outdoor/weatherproof back box with half inch and three-fourths inch conduit entries.

Synchronization Module

The module shall be a System Sensor Sync-Circuit _____ listed to UL 464 and shall be approved for fire protective service. The module shall synchronize SpectrAlert strobes at 1Hz and horns at temporal three. Also, while operating the strobes, the module shall silence the horns on horn/strobe models over a single pair of wires. The module shall mount to a 4⅞ × 4⅞ × 2⅞-inch back box. The module shall also control two Style Y (class B) circuits or one Style Z (class A) circuit. The module shall synchronize multiple zones. Daisy chaining two or more synchronization modules together will synchronize all the zones they control. The module shall not operate on a coded power supply.

Physical/Electrical Specifications

Standard Operating Temperature	32°F to 120°F (0°C to 49°C)
K Series Operating Temperature	-40°F to 151°F (-40°C to 66°C)
Humidity Range	10 to 93% non-condensing (indoor products)
Strobe Flash Rate	1 flash per second
Nominal Voltage	Regulated 12DC/FWR or regulated 24DC/FWR ¹
Operating Voltage Range²	8 to 17.5 V (12V nominal) or 16 to 33 V (24 nominal)
Input terminal wire gauge	12 to 18 AWG
Ceiling mount dimensions (including lens)	6.8" diameter × 2.5" high (173 mm diameter × 64 mm high)
Wall mount dimensions (including lens)	5.6"L × 4.7"W × 2.5"D (142 mm L × 119 mm W × 64 mm D)
Horn dimensions	5.6"L × 4.7"W × 1.3"D (142 mm L × 119 mm W × 33 mm D)

Notes:

1. Full Wave Rectified (FWR) voltage is a non-regulated, time varying power source that is used on some power supply and panel outputs.
2. P, S, PC, and SC products will operate at 12V nominal only for 15 and 15/75 cd.

UL Current Draw Data

UL Max. Strobe Current Draw (mA RMS)						UL Max. Horn Current Draw (mA RMS)					
	Candela	8–17.5 Volts		16–33 Volts		Sound Pattern	dB	8–17.5 Volts		16–33 Volts	
		DC	FWR	DC	FWR			DC	FWR	DC	FWR
Standard Candela Range	15	123	128	66	71	Temporal	High	57	55	69	75
	15/75	142	148	77	81	Temporal	Medium	44	49	58	69
	30	NA	NA	94	96	Temporal	Low	38	44	44	48
	75	NA	NA	158	153	Non-temporal	High	57	56	69	75
	95	NA	NA	181	176	Non-temporal	Medium	42	50	60	69
	110	NA	NA	202	195	Non-temporal	Low	41	44	50	50
	115	NA	NA	210	205	Coded	High	57	55	69	75
High Candela Range	135	NA	NA	228	207	Coded	Medium	44	51	56	69
	150	NA	NA	246	220	Coded	Low	40	46	52	50
	177	NA	NA	281	251						
	185	NA	NA	286	258						

UL Max. Current Draw (mA RMS), 2-wire Horn/Strobe, Standard Candela Range (15–115 cd)										
DC Input	8–17.5 Volts		16–33 Volts		30	75	95	110	115	
	15	15/75	15	15/75						
Temporal High	137	147	79	90	107	176	194	212	218	
Temporal Medium	132	144	69	80	97	157	182	201	210	
Temporal Low	132	143	66	77	93	154	179	198	207	
Non-temporal High	141	152	91	100	116	176	201	221	229	
Non-temporal Medium	133	145	75	85	102	163	187	207	216	
Non-temporal Low	131	144	68	79	96	156	182	201	210	
FWR Input										
Temporal High	136	155	88	97	112	168	190	210	218	
Temporal Medium	129	152	78	88	103	160	184	202	206	
Temporal Low	129	151	76	86	101	160	184	194	201	
Non-temporal High	142	161	103	112	126	181	203	221	229	
Non-temporal Medium	134	155	85	95	110	166	189	208	216	
Non-temporal Low	132	154	80	90	105	161	184	202	211	

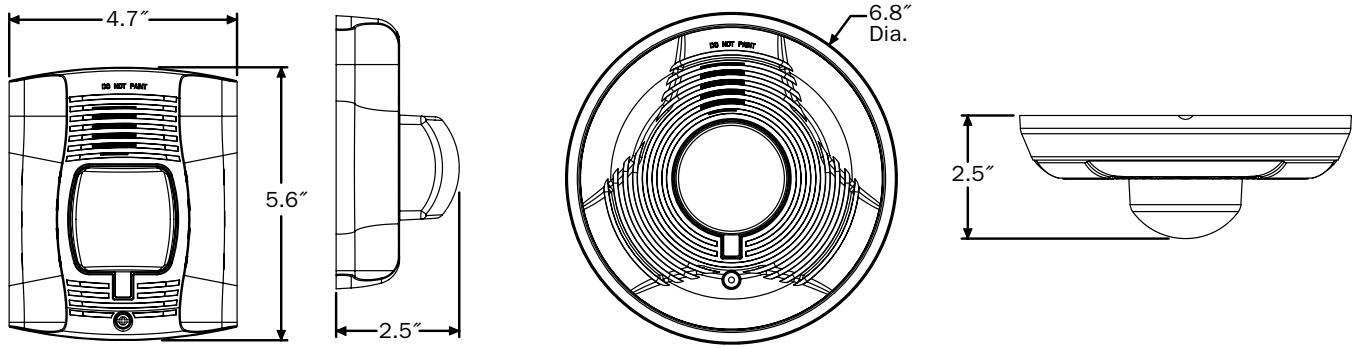
UL Max. Current Draw (mA RMS), 2-wire Horn/Strobe, High Candela Range (135–185 cd)										
DC Input	16–33 Volts				FWR Input	16–33 Volts				
	135	150	177	185		135	150	177	185	
Temporal High	245	259	290	297	Temporal High	215	231	258	265	
Temporal Medium	235	253	288	297	Temporal Medium	209	224	250	258	
Temporal Low	232	251	282	292	Temporal Low	207	221	248	256	
Non-temporal High	255	270	303	309	Non-temporal High	233	248	275	281	
Non-temporal Medium	242	259	293	299	Non-temporal Medium	219	232	262	267	
Non-temporal Low	238	254	291	295	Non-temporal Low	214	229	256	262	

Horn Tones and Sound Output Data

Rotary Horn and Horn/Strobe Switch Settings			Horn and Horn/Strobe Output (dBA)						
Setting	Repetition Rate	dB Level	Switch Position	Sound Pattern	dB	8–17.5 Volts		16–33 Volts	
						DC	FWR	DC	FWR
1	Temporal horn	High	1	Temporal	High	78	78	84	84
2	Temporal horn	Medium	2	Temporal	Medium	74	74	80	80
3	Temporal horn	Low	3	Temporal	Low	71	73	76	76
4	Normal horn	High	4	Non-temporal	High	82	82	88	88
5	Normal horn	Medium	5	Non-temporal	Medium	78	78	85	85
6	Normal horn	Low	6	Non-temporal	Low	75	75	81	81
7*	Externally coded	High	7*	Coded	High	82	82	88	88
8*	Externally coded	Medium	8*	Coded	Medium	78	78	85	85
9*	Externally coded	Low	9*	Coded	Low	75	75	81	81

*Settings 7, 8, and 9 are not available on 2-wire horn/strobe.

SpectrAlert Advance Dimensions



SpectrAlert Advance Ordering Information

Model	Description
Wall Horn/Strobes	
P2R*†	2-wire Horn/Strobe, Standard cd‡, Red
P2RH*	2-wire Horn/Strobe, High cd, Red
P2RK*	2-wire Horn/Strobe, Standard cd, Red, Outdoor
P2RHK*	2-wire Horn/Strobe, High cd, Red, Outdoor
P2W*	2-wire Horn/Strobe, Standard cd, White
P2WH*	2-wire Horn/Strobe, High cd, White
P4R*	4-wire Horn/Strobe, Standard cd, Red
P4RH*	4-wire Horn/Strobe, High cd, Red
P4RK	4-wire Horn/Strobe, Standard cd, Red, Outdoor
P4RHK	4-wire Horn/Strobe, High cd, Red, Outdoor
P4W*	4-wire Horn/Strobe, Standard cd, White
P4WH*	4-wire Horn/Strobe, High cd, White
Wall Strobes	
SR*†	Strobe, Standard cd, Red
SRH*†	Strobe, High cd, Red
SRK	Strobe, Standard cd, Red, Outdoor
SRHK	Strobe, High cd, Red, Outdoor
SW*	Strobe, Standard cd, White
SWH*	Strobe, High cd, White
Ceiling Horn/Strobes	
PC2R*	2-wire Horn/Strobe, Standard cd, Red
PC2RH*	2-wire Horn/Strobe, High cd, Red
PC2RK	2-wire Horn/Strobe, Standard cd, Red, Outdoor
PC2RHK	2-wire Horn/Strobe, High cd, Red, Outdoor

Model	Description
Ceiling Horn/Strobes (cont'd.)	
PC2W*†	2-wire Horn/Strobe, Standard cd, White
PC2WH*†	2-wire Horn/Strobe, High cd, White
PC4R	4-wire Horn/Strobe, Standard cd, Red
PC4RH	4-wire Horn/Strobe, High cd, Red
PC4RK	4-wire Horn/Strobe, Standard cd, Red, Outdoor
PC4RHK	4-wire Horn/Strobe, High cd, Red, Outdoor
PC4W	4-wire Horn/Strobe, Standard cd, White
PC4WH	4-wire Horn/Strobe, High cd, White
Ceiling Strobes	
SCR*	Strobe, Standard cd, Red
SCRH*	Strobe, High cd, Red
SCRK	Strobe, Standard cd, Red, Outdoor
SCRHK	Strobe, High cd, Red, Outdoor
SCW*†	Strobe, Standard cd, White
SCWH*†	Strobe, High cd, White
Horns	
HR	Horn, Red
HRK	Horn, Red, Outdoor
HW	Horn, White
Accessories	
BBS-2	Back Box Skirt, Wall, Red
BBSW-2	Back Box Skirt, Wall, White
BBSC-2	Back Box Skirt, Ceiling, Red
BBSCW-2	Back Box Skirt, Ceiling, White

Notes:

* Add "-P" to model number for plain housing (no "FIRE" marking on cover), e.g., P2R-P

† Add "-SP" to model number for "FUEGO" marking on cover, e.g., P2R-SP

‡ "High cd," refers to strobes that include 135, 150, 177, and 185 candela settings. "Standard cd," refers to strobes that include 15, 15/75, 30, 75, 95, 110, and 115 candela settings.



3825 Ohio Avenue • St. Charles, IL 60174
Phone: 800-SENSOR2 • Fax: 630-377-6495

©2006 System Sensor.
Product specifications subject to change without notice. Visit systemsensor.com for current product information, including the latest version of this data sheet.
A05-0395-002 • 7/06 • #1659