

SPECTRAlert®

Selectable Output Strobe and Horn/Strobes



Models Available

Strobes

Red	White
S1224MC	S1224MCW
S1224MCP	S1224MCPW
S1224MCK	
S1224MCSP	

Horn/Strobes

Red	White
P1224MC	P1224MCW
P1224MCP	P1224MCPW
P1224MCK	
P1224MCSP	

Horns

Red	White
H12/24	H12/24W
H12/24K	



Product Overview

Operates on either 12V or 24V

Widest range of candela options:

12V: 15 and 15/75 candela

24V: 15, 15/75, 30, 75, 110 candela

Easy candela selection

Lower current draw

Easy DIP switch selection for horn options

Easy mounting with QuickClick™

Synchronizable with MDL

Sync•Circuit™ module

Meets UL1971, NFPA72, and ADA signaling requirements

All strobe and horn/strobe models incorporate a new patent-pending voltage booster design that has a more consistent flash bulb voltage over the range of candela selections. The benefit to the customer is a high quality strobe device.

SpectrAlert® Selectable Output Horns, Strobes, and Horn/Strobes offer enhanced features that include the widest range of candela options available and the capability to recognize and self-adjust for either 12 or 24 volt operation. With an overall feature set that combines performance, installation ease, flexibility, and a consistent, aesthetically pleasing appearance, the SpectrAlert Selectable Output devices provide both the innovation and efficiency synonymous with the SpectrAlert name.

Performance. SpectrAlert selectable output wall-mount horns, strobes, and horn/strobes offer key performance features long associated with the SpectrAlert name. The selectable candela strobes and horn/strobes offer average current draws that are not only lower than conventional fixed-candela SpectrAlert products, but also lower than similar selectable candela products. By consuming less current, the ability to connect even more devices per loop is possible, resulting in a lower installed cost.

Installation. SpectrAlert selectable output horns, strobes, and horn/strobes offer the same installation-friendly features synonymous with the SpectrAlert name, such as the option of 2- and 4-wire operation; the ability to use standard size backboxes with no encroachment into the box; and universal mounting incorporating the labor-saving QuickClick™ feature. Such labor-savings features make wire connections simple and fast, further reducing installed cost.

Flexibility. SpectrAlert selectable output strobes and horn/strobes offer the broadest range of candela options. In addition, the selectable output strobes and horn/strobes can operate on either 12V or 24V, with no setting required; the device recognizes and self-adjusts to the correct current automatically. Temporal 3 or Continuous tone options continue to be available, in either an Electromechanical or 3kHz pattern.

Aesthetics. SpectrAlert selectable output horns, strobes, and horn/strobes incorporate the same stylish, low profile design of the conventional SpectrAlert products, for a consistent and aesthetically pleasing appearance across the entire product line.



S5512
S4011

CS549V602NK17954
CS549V702NK13751



7125-1209:222
7135-1209:223



ME A
approved
122-02-E
126-02-E

Engineering Specifications

General

SpectrAlert horns, strobes and horn/strobes shall be capable of mounting to a standard 4" x 4" x 1 1/2" back box or a single gang 2" x 4" x 1 7/8" back box using the universal mounting plate included with each SpectrAlert product. Also, SpectrAlert products, when used in conjunction with the accessory Sync•Circuit Module, shall be powered from a non-coded power supply and shall operate on 12 or 24 volts. 12 volt rated devices shall have an operating voltage range of 9–17.5 volts. 24-volt rated devices shall have an operating voltage range or 17–33 volts. SpectrAlert products shall have an operating temperature of 32° to 120°F and operate from a regulated DC or full wave rectified, unfiltered power supply.

Strobe

Strobe shall be a System Sensor SpectrAlert Model _____ listed to UL 1971 and be approved for fire protective service. The strobe shall be wired as a primary signaling notification appliance and comply with the Americans with Disabilities Act requirements for visible signaling appliances, flashing at 1Hz over the strobe's entire operating voltage range. The strobe light shall consist of a xenon flash tube and associated lens/reflector system.

Horn/Strobe Combination

Horn/Strobe shall be a System Sensor SpectrAlert Model _____ listed to UL 1971 and UL 464 and shall be approved for

fire protective service. Horn/strobe shall be wired as a primary signaling notification appliance and comply with the Americans with Disabilities Act requirements for visible signaling appliances, flashing at 1Hz over the strobe's entire operating voltage range. The strobe light shall consist of a xenon flash tube and associated lens/reflector system. The horn shall have two tone options, two audibility options (at 24 volts) and the option to switch between a temporal 3 pattern and a non-temporal continuous pattern. Strobes shall be powered independently of the sounder with the removal of factory installed jumper wires. The horn on horn/strobe models shall operate on a coded or non-coded power supply (the strobe must be powered continuously).

Synchronization Module

Module shall be a System Sensor Sync•Circuit _____ listed to UL 464 and shall be approved for fire protective service. The module shall synchronize SpectrAlert strobes at 1Hz and horns at temporal 3. Also, the module shall silence the horns on horn/strobe models, while operating the strobes, over a single pair of wires. The module shall be capable of mounting to a 4 11/16" x 4 11/16" x 2 1/8" back box and shall control two Style Y (class B) or one Style Z (class A) circuit. Module shall be capable of multiple zone synchronization by daisy chaining multiple modules together and re-synchronizing each other along the chain. The module shall not operate on a coded power supply.

Specifications

Walk Test

SpectrAlert horn/strobe and horn only work on "walk tests" with time durations of 4 seconds or greater

Input Terminals

12 to 18 AWG

Dimensions

Strobe and horn/strobe with universal plate

5" x 5 5/8" x 2 15/16"

Strobe and horn/strobe with small footprint plate

3 3/8" x 5 5/8" x 2 5/16"

Horn with universal mounting plate

5" x 5 5/8" x 1 5/16"

Horn without mounting plate

2 15/16" x 5 5/16" x 1 5/16"

Weight, horn only

7.2 oz.

Weight, strobe and horn/strobe

8.8 oz.

Mounting

4" x 4" x 1 1/2" or 2" x 4" x 1 7/8" standard boxes

Indoor Operating Temperature

32°F to 120°F (0°C to 49°C)

Maximum humidity

95% as tested per UL464

Operating Temperature

Weatherproof (horn and horn/strobes)
32°F to 150°F (0°C to 66°C)

(outdoor strobe only)

–40°F to 158°F (–40°C to 70°C)

ULC Canadian Models

–40°C to 66°C

Voltages

12 or 24VDC and FWR unfiltered

Operating voltage range*

12V: 8–17.5V; 24V: 16–33V

Operating voltage range* (with Sync•Circuit module, MDL)

12V: 9–17.5V; 24V: 17–33V

*Note for Strobes: Do not exceed; 1) 16–33 or 8–17.5 voltage range limit; 2) maximum number of 70 strobe lights when connecting the MDL Sync module with a maximum line impedance of 4 ohms per loop and; 3) maximum line impedance as required by the fire alarm control manufacturer

U.S. Patent Numbers

5,593,569

5,914,665

6,049,446

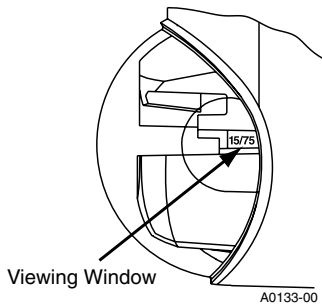
SpectrAlert Current Draw

Series	Candela Setting	FWR Operating Current–Strobe (mA RMS)		DC Operating Current–Strobe (mA RMS)		FWR Operating Current–Horn (mA RMS)		DC Operating Current–Horn (mA RMS)		Horn Audibility (dBA)
		12V	24V	12V	24V	12V	24V	12V	24V	
S1224MC Strobes	15	112	64	127	59					
	15/75	135	74	127	69					
	30		93		90					
	75		158		160					
	110		208		209					
P1224MC Horn/Strobes	15	112	64	127	59	45.7	57.5	44.4	57	75
	15/75	135	74	127	69	45.7	57.5	44.4	57	75
	30		93		90		57.5		57	75
	75		158		160		57.5		57	75
	110		208		209		57.5		57	75
H12/24 Horns						45.7	57.5	44.4	57	75

SpectrAlert Mounting and Operation

Candela Selections

For strobe candela selection, adjust slide switch located on the rear of the product while watching the viewing window on the side of the reflector.



Permissible Candela Settings

Candela Setting	Operating Voltage	
	12V	24V
15	OK	OK
15/75	OK	OK
30		OK
75		OK
110		OK

Selectable Horn Tones

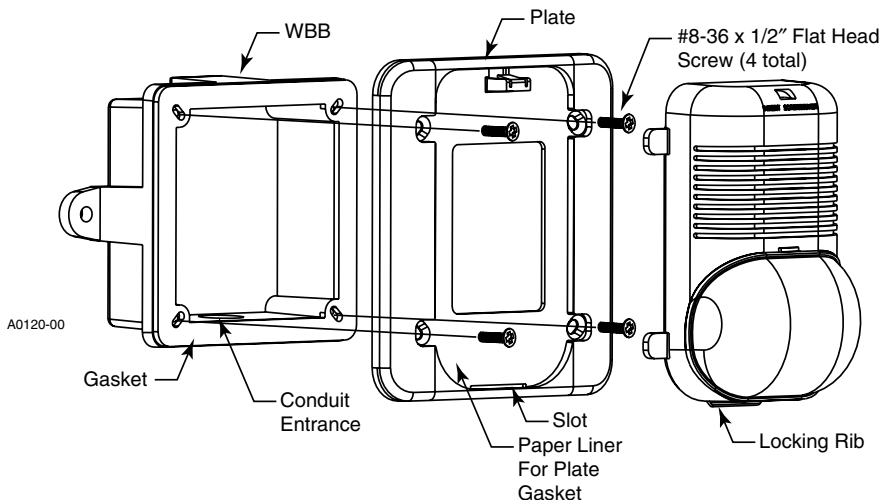
Temporal	Volume	Electromechanical
		3000 Hz Interrupted
Non-Temporal	Volume	Electromechanical
		3000 Hz Interrupted

DIP Switch Operation

	OFF	ON	Factory Default	
Low	<input type="checkbox"/>	<input checked="" type="checkbox"/>	High	<p>DIP Switch</p> <p>Base (rear)</p>
Temporal	<input checked="" type="checkbox"/>	<input type="checkbox"/>	Non-Temporal	
Electromech.	<input checked="" type="checkbox"/>	<input type="checkbox"/>	3000Hz	

A0110-00

Typical weatherproof mounting with universal plate



SpectrAlert Ordering Information

Model	Description	Model	Description
P1224MC	Selectable Output Horn/Strobe, 12/24 volt, red	H12/24	Horn, 12/24 volt, red
P1224MCW	Selectable Output Horn/Strobe, 12/24 volt, white	H12/24W	Horn, 12/24 volt, white
P1224MCP	Selectable Output Horn/Strobe, 12/24 volt, red, plain housing	H12/24K	Horn, 12/24 volt, red, weatherproof
P1224MCPW	Selectable Output Horn/Strobe, 12/24 volt, white, plain housing	Accessories	
P1224MCK	Selectable Output Horn/Strobe, 12/24 volt, red, weatherproof	MDL	Sync •Circuit Module, red
P1224MCSP	Selectable Output Horn/Strobe, 12/24 volt, red, "FUEGO" housing	MDLW	Sync •Circuit Module, white
S1224MC	Selectable Output Strobe, 12/24 volt, red	MDLA	Sync •Circuit Module, red, Canadian model
S1224MCW	Selectable Output Strobe, 12/24 volt, white	MDLWA	Sync •Circuit Module, white, Canadian model
S1224MCP	Selectable Output Strobe, 12/24 volt, red, plain housing	S-MP	Small Footprint Mounting Plate, red, for single-gang back box
S1224MCPW	Selectable Output Strobe, 12/24 volt, white, plain housing	S-MPW	Small Footprint Mounting Plate, white, for single-gang back box
S1224MCK	Selectable Output Strobe, 12/24 volt, red, weatherproof	BBS	Surface Mount Back Box Skirt, red
S1224MCSP	Selectable Output Strobe, 12/24 volt, red, "FUEGO" housing	BBSW	Surface Mount Back Box Skirt, white
		D-MP	Universal Mounting Plate (replacement), red
		D-MPW	Universal Mounting Plate (replacement), white
		WBB	Weatherproof Back Box

Notes

Agency Listings – Indoor models: UL, ULC, FM, CSFM, MEA. Weatherproof models: UL, CSFM (strobe only), MEA, ULC.

All of these SpectrAlert products are designed for wall mount only. All weatherproof models must use weatherproof back box model WBB. Installation of less than 75 candela strobes may be permissible under the equivalent facilitation clause of the ADAAG (Sec. 2.2). However, it is the responsibility of the person or entity designing the fire alarm system to determine the acceptability of less than 75 candela strobes. All 15/75 candela strobes or horn/strobes are recommended for 20' x 20' rooms or less.

System Sensor Sales and Service

System Sensor Headquarters

3825 Ohio Avenue
St. Charles, IL 60174
Ph: 800/SENSOR2
Fx: 630/377-6495
Documents-on-Demand
800/736-7672 x3
www.systemsensor.com

System Sensor Canada

Ph: 905.812.0767
Fx: 905.812.0771

System Sensor Europe

Ph: 44.1403.891920
Fx: 44.1403.891921

System Sensor in China

Ph: 86.29.524.6253
Fx: 86.29.524.6259

System Sensor in Singapore

Ph: 65.6273.2230
Fx: 65.6273.2610

System Sensor – Far East

Ph: 85.22.191.9003
Fx: 85.22.736.6580

System Sensor – Australia

Ph: 613.54.281.142
Fx: 613.54.281.172

System Sensor – India

Ph: 91.124.237.1770 x.2700
Fx: 91.124.237.3118

System Sensor – Russia

Ph: 70.95.937.7982
Fx: 70.95.937.7983