

# PSSHORN 3W Horn Speaker

## Head Office

### Wellington

PO Box 35-063  
Naenae  
Lower Hutt 5041  
17 Eastern Hutt Rd  
Wingate  
Lower Hutt 5019  
Tel (04) 567-3229  
Fax (04) 567-3644

www.pertronic.co.nz

sales@pertronic.co.nz  
tech@pertronic.co.nz

### Auckland Office

PO Box 15-867  
New Lynn  
Auckland 0640  
359 Onehunga Mall  
Onehunga  
Auckland 1061  
Tel (09) 633-0226  
Fax (09) 633-0228



ISO 9001: 2008

International  
Standards  
Certifications  
QAC/R64/0012

## Overview:

The **3 Watt Horn Speaker PSSHORN** a high-efficiency 100 Volt line speaker designed for emergency warning systems. It is about ten decibels louder than a cone-type speaker with the same input power.

Selectable power taps facilitate sound level adjustment to meet project requirements such as area coverage and ambient noise level. The adjustable mounting bracket makes it easy to position the horn speaker for optimal sound dispersion.

To ensure standards compliance, the horn speaker is wired for Loop In / Loop Out connection and incorporates a 100 Vrms line transformer and a series blocking capacitor.

Recommended for indoor applications such as lobbies, corridors, shopping centres, passenger terminals, offices, schools, hospitals, factories and plant rooms.

## Features:

- ▶ Built-in 100 Vrms line transformer
- ▶ Power taps of 1 W and 3 W @ 100 V
- ▶ 22  $\mu$ F bipolar blocking capacitor
- ▶ ABS enclosure with metal mounting bracket
- ▶ Low impedance horn speaker

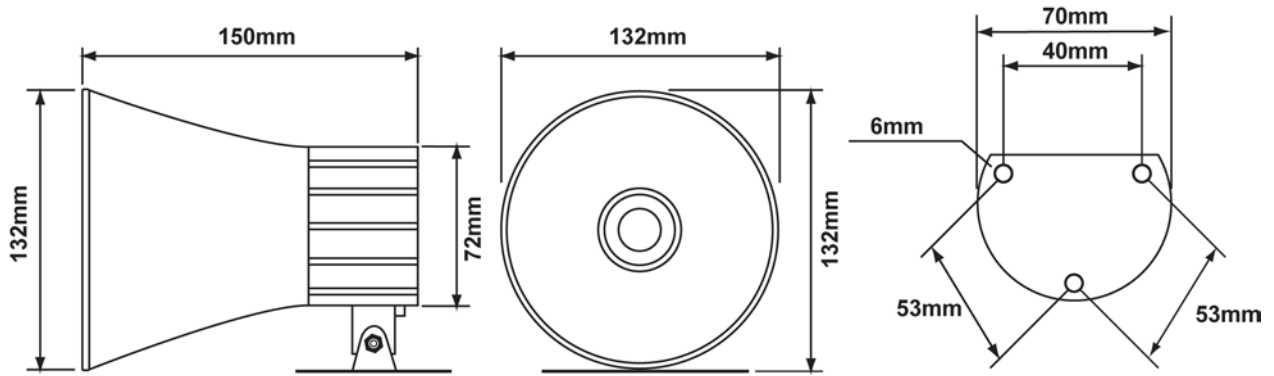


**3 Watt Horn Speaker PSSHORN**

## Specification:

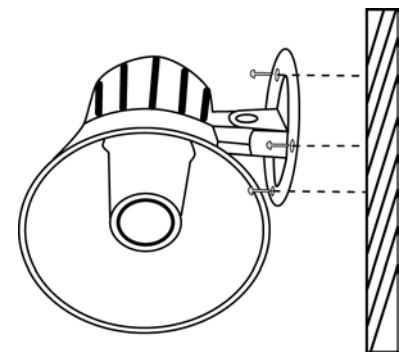
<b>Electrical:</b>	<b>Power Taps</b> 1 W & 3 W @ 100 V	<b>Sensitivity</b> 102 dB $\pm$ 3 dB (1 W @ 1 m)	<b>Impedance</b> 1 W 10 k $\Omega$ 3 W 3.3 k $\Omega$	<b>Freq Response</b> 250 Hz – 18 kHz
<b>Mechanical:</b>	<b>Material</b>  ABS	<b>Colour</b>  White	<b>Weight</b>  500 g	<b>Dimensions</b> (Length x Diameter) 150 mm x 132 mm

**Dimensions:**

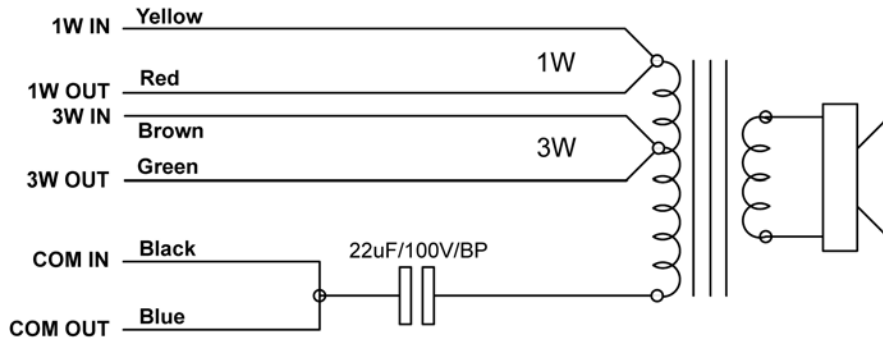


**Installation:**

1. Decide on suitable location for mounting of PSSHORN to wall.
2. Mark then drill three holes on metal bracket to mount horn to wall as shown in diagram on right.
3. Mount horn to location using three mounting screws appropriate to the wall construction.
4. Connect to appropriate power tap wire as required and ensure in and out wires are used.



**Connection:**



Product Code	Description
PSSHORN	Horn Speaker + Line TX, 1W / 3W @ 100V

**PERTRONIC INDUSTRIES LTD**

**Head Office:**

17 Eastern Hutt Rd, Wingate, Lower Hutt 5019  
 Telephone (04) 567-3229 Fax (04) 567-3644

www.pertronic.co.nz  
 sales@pertronic.co.nz  
 tech@pertronic.co.nz

**Auckland Office:**

359 Onehunga Mall, Onehunga, Auckland 1061  
 Telephone (09) 633-0226 Fax (09) 633-0228

'Pertronic' and 'Firetronix' are registered trademarks of Pertronic Industries Ltd