

# ML15 Marine Grade IP67 15 Watt Loudspeaker

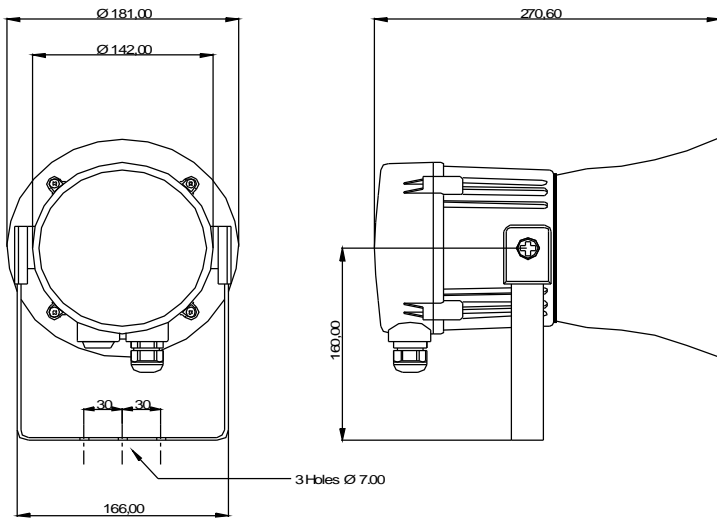


- SPL : 108dB +/-3dB @ 1w @ 1m - Pink noise  
118dB +/-3dB @ 15w (Rated Power) @ 1m
- Rated power : 15 Watts RMS
- 70v line transformer version : 15w / 7.5w / 3w / 1w tapings  
(z=336.67 Ohms / 653.33 Ohms / 1.6kOhms / 4.9kOhms)
- 100v line transformer version : 15w / 7.5w / 3w / 1w tapings  
(z=666.87 Ohms / 1.34kOhms / 3.34kOhms / 10kOhms)
- Impedance type : 8 Ohm or 16 Ohm
- Dispersion : 120° @ 1kHz & 32° @ 4kHz
- Frequency range : 400Hz to 8000Hz
- DC line monitoring :  
2.2uF Capacitor Transformer type speaker  
470uF Capacitor Impedance type speaker
- Transformer type fitted with thermal fuse
- Complies with BS5839 part 8
- Third party tested to IP67 & IP66
- Enclosure material : UL94V0 & 5VA rated FR ABS
- Colour available : Grey (RAL7038)
- Operating temperature : -25 to +55°C
- Storage temperature : -40 to +70°C
- Relative humidity : 90% at 20°C
- Weight :70/100v line : 2.60kg  
Low impedance : 2.20kg

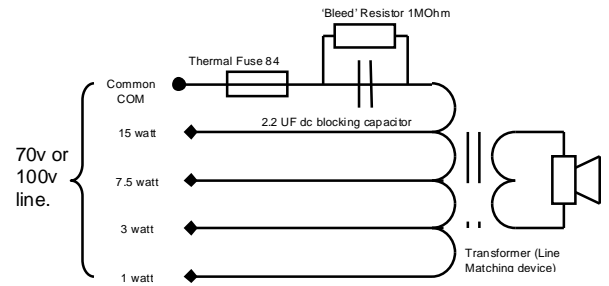


A heavy duty high output IP67 sealed loudspeaker, ideal for harsh environments with high ambient noise levels.

- Large termination area
- 2 x M20 ISO cable gland entries (with 1 blanking plug).
- Ratchet adjustable stainless steel 'U' bracket for 360° positioning.
- All units offer IN & OUT terminals
- Terminals accept 0.5 to 4.0mm<sup>2</sup> cables.



All dimensions are in millimetres.



### ML15 8 & 16 Ohm low impedance:

Input : 8 Ohm	Power : 15Watts	V/P Volts : 10.95V
Input : 16 Ohm	Power : 15Watts	V/P Volts : 15.49V

Also available :

- **MCA112-05** combined sounder & beacon
- **ML25** 25w marine loudspeaker
- **MA112 & MA121** high output marine sounders
- **MB005 & MB010** 5 and 10 Joule marine beacons
- **MV112** high output marine voice annunciation unit



