

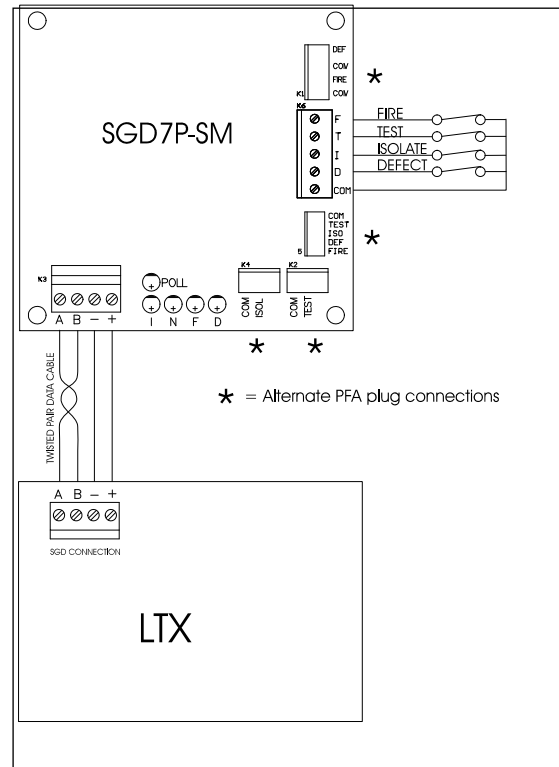
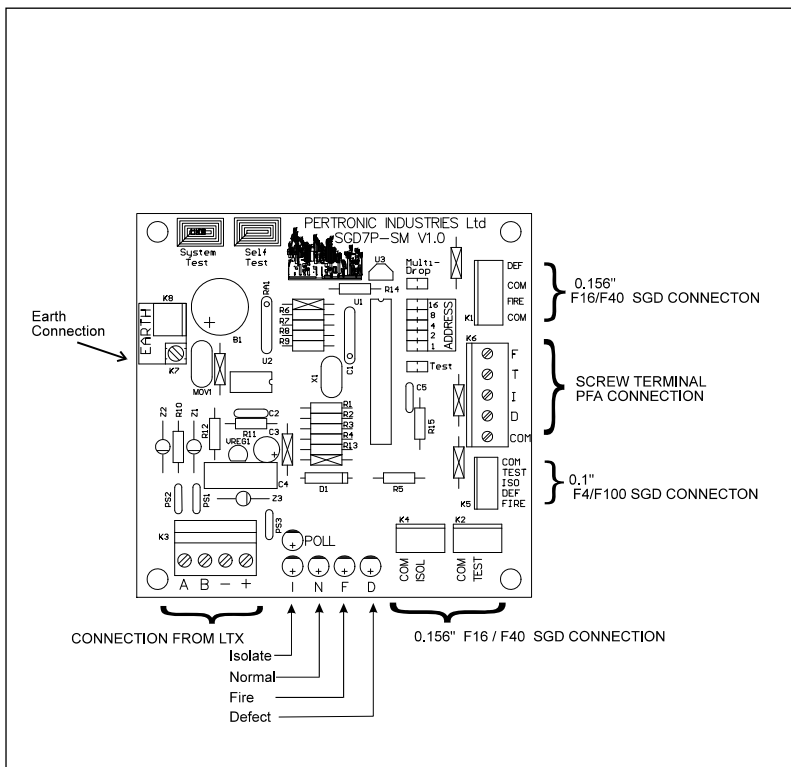
PERTRONIC INDUSTRIES

SGD7P - SM INSTALLATION INSTRUCTIONS

INTRODUCTION

The SGD (signal generating device) is a digital transmitter designed to provide the transmission interface between fire alarm systems "PFA's" and the LTX series alarm transmitters provided by NZ Telecom. The SGD 7P- SM is compatible with all LTX transmitters including the multi-drop capable LTX8.

1) Connection information



SGD7P-SM layout

SGD7P-SM 4 wire LTX connection

a) Fire Alarm panel to SGD

Pertronic *F4,F100*: Use interconnection cable between K5 on SGD & SGD connector on F4,F100 pcb.
 Pertronic *F16,F40*: Use interconnection cable between K1,2,4, on SGD & SGD connectors on F14,F40 pcb.
 For other connections, use the screw terminal connector K6 .

b) SGD to LTX

Connect A on Terminal block k3 to the A terminal on the LTX
 " B " " k3 " B " "
 " + " " k3 " +12v " "
 " - " " k3 " 0v " "



Cable Recommendations for +12v/0v line

Distance of SGD from LTX	Conductor area
Up to 100m	0.2mm sq
101 - 500m	0.5mm sq
501 - 1km	1.0mm sq

Twisted pair data cable is recommended for the data lines, particularly when operating in high noise environments. For 4-wire (LTX powered) installations, Pertronic SGD cable is recommended.

2) SETTING UP THE SGD.

a) Address Selection

The valid SGD address range is 1 - 16, selected by inserting links as shown below :-

SGD Address	link1	link2	link4	link8	link16
1	1	0	0	0	0
2	0	1	0	0	0
3	1	1	0	0	0
4	0	0	1	0	0
5	1	0	1	0	0
6	0	1	1	0	0
7	1	1	1	0	0
8	0	0	0	1	0
9	1	0	0	1	0
10	0	1	0	1	0
11	1	1	0	1	0
12	0	0	1	1	0
13	1	0	1	1	0
14	1	0	1	1	0
15	1	1	1	1	0
16	0	0	0	0	1
17	1	0	0	0	1 - Reserved for test mode

Address 17 is reserved for SGD test mode where the SGD will report the status of the PFA without need for connection to the LTX. - normally when there is no communication between the SGD and a LTX the SGD will reset every 2.7 seconds.

b) Multi-drop mode

With multi-drop enabled (multi-drop link in) this allows the connection of up to 4 SGD7P-SM's to a single LTX 8 port, with the link out the SGD7P-SM operates as a standard SGD - a single SGD per LTX port.

When in multi-drop mode use SGD addresses 1 to 4 when connecting to port SGD 1-4 on the LTX8 and addresses 5 to 8 when connecting to port SGD 5-8 on the LTX 8.

STATUS INDICATORS.

The designated LED'S show the state of the switches of the connected PFA. When the Test switch is activated, the LED's showing the state of the PFA will flash slowly, if a test signal is generated (by activating a fire, defect or isolate when in test) the normal LED will flash rapidly (after a delay of approx 1.2s) indicating that a defect has been send to the LTX. When a valid test acknowledgment has been received by the SGD the LED associated with the test will flash rapidly for 3 seconds and then revert to a slow flash. (note the buzzer will also sound if the test was a fire test),showing the state of the PFA. To repeat the test the Test switch must be opened and closed again.

POLL LAMP

The Poll LED will flash each time the SGD is polled by the LTX. Under normal conditions this LED will flash every 1/2 second in single-drop mode, and every second in multi-drop mode.