



Safety Technology International, Inc.
 2306 Airport Road • Waterford, Michigan 48327-1209
 Phone: 248-673-9898 • Fax: 248-673-1246
 Toll Free: 800-888-4784 • E-mail: info@sti-usa.com
 Web: www.sti-usa.com

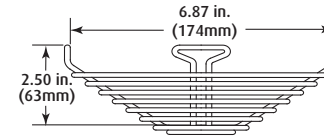
Safety Technology International (Europe) Ltd.
 Unit 49G Pipers Road • Park Farm Industrial Estate • Redditch
 Worcestershire • B98 0HU • England • Tel: 44 (0) 1527 520 999
 Fax: 44 (0) 1527 501 999 • Freephone: 0800 085 1678 (UK only)
 E-mail: info@sti-europe.com • Web: www.sti-europe.com

IMPORTANT

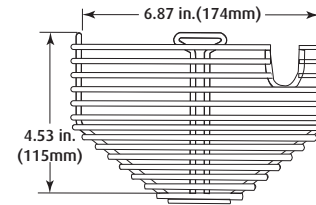
Do not attempt to install the guard until the smoke sensor has been tested and in proper working order according to the manufacturer's installation directions furnished with the sensor unit.

SERVICE

1. Periodic cleaning of the smoke detector is required so dust and other matter does not accumulate.
2. To service the smoke sensor unit, loosen but do not remove the (4) screws, rotate clamps and carefully remove the wire guard.



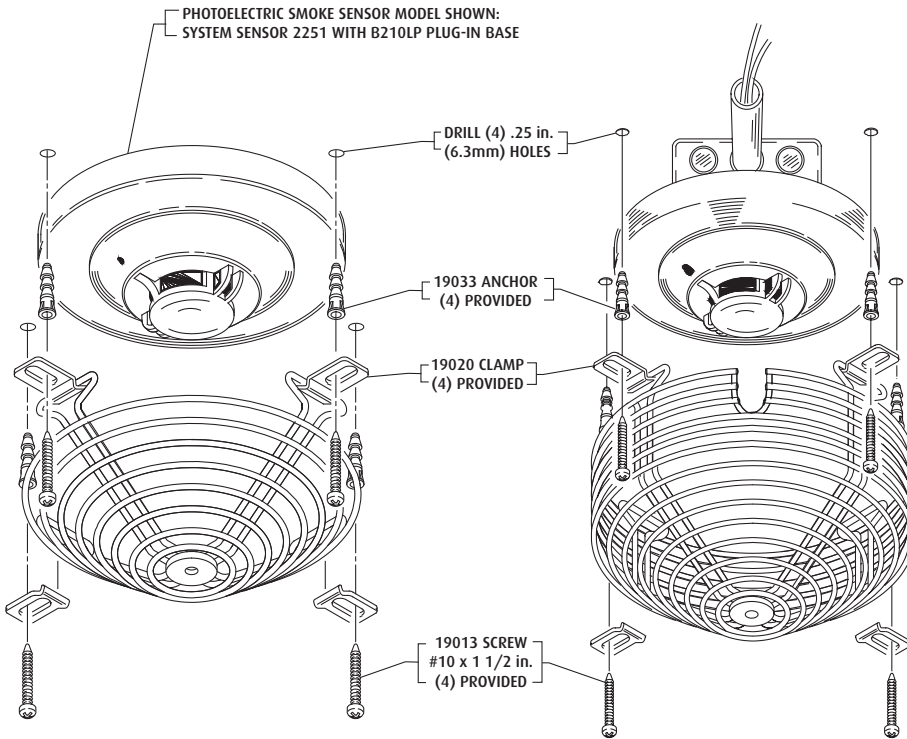
STI-9713



STI-9712

PRODUCT DIMENSIONS

APPLICATION CHART
STI-9713 UL LISTED
FOR THE FOLLOWING MODELS
MANUFACTURED AFTER JUNE 1, 2004
(STI-9712 IS NOT UL TESTED)



STI-9713

STI-9712

OPTIONAL FASTENERS

1. SUB-82 - #8 X 1 1/2" tamper resistant stainless steel screws
2. 19038 tamper resistant bit with 5/16" hex drive

MANUFACTURED BY	MODEL NUMBER
SYSTEM SENSOR	2251B
JCI	2951J
ADT	2951ADT
HONEYWELL	TC806B1076
EST	2251FB
FCI	ASD-PL2
FIRE-LITE	SD355
MIRCOM	MIX-2251B
SECUTRON	MRI-2251B
GAMEWELL	SS-P
NOTIFIER	FSP-851

INSTALLATION OF STI-9713 & STI-9712 STEEL WEB STOPPER® FOR PHOTOELECTRIC SMOKE DETECTOR

All specifications and information shown were current as of publication, and are subject to change without notice.

ADDITIONAL WIRE GUARDS AVAILABLE

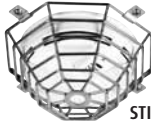
Visit www.sti-usa.com for complete details

SMOKE DETECTOR COVERS

STI-9601	Low profile - Flush mount	STI-9609-SS	High profile - Flush mount - Stainless Steel
STI-9601-SS	Low profile - Flush mount - Stainless Steel	STI-9610	High profile - Surface mount
STI-9602	Low profile - Surface mount	STI-9712	Photoelectric - Surface mount
STI-9604	Mini - Flush mount	STI-9713	Photoelectric - Flush mount
STI-9604-SS	Mini - Flush mount -Stainless Steel		
STI-9605	Mini - Surface mount		
STI-9605-SS	Mini - Surface mount - Stainless Steel		
STI-9609	High profile - Flush mount		



STI-9601



STI-9604-SS

PIR GUARDS

STI-9618	Corner Mount		
STI-9619	Corner Mount		
STI-9620	6.25 x 4 x 2.25"		
STI-9621	7 x 5.75 x 4.50"		
STI-9622	8.75 x 4 x 3.75"		



STI-9618



STI-9621

EXIT SIGN WIRE CAGES

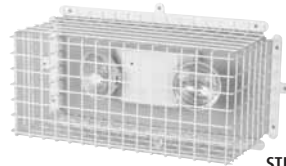
STI-9640	10.5 x 13.75 x 2.75"		
STI-9740	15.5 x 20.5 x 6"		



STI-9640

EMERGENCY LIGHT CAGES

STI-9641	10.7 x 14.6 x 4"		
STI-9644	8.7 x 17.7 x 5"		
STI-9645	13.8 x 21.7 x 5.9"		
STI-9649	10.75 x 24.75 x 11.25"		
STI-9703	5 x 13.5 x 4"		



STI-9649

MISCELLANEOUS WIRE CAGES

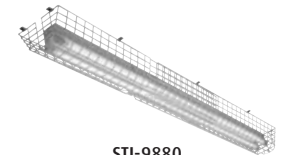
STI-9651	Fluorescent Light Damage Stopper®	STI-9720	Speaker Strobe Damage Stopper® - Surface
STI-9705	Horn/Strobe/Speaker Damage Stopper® - Flush	STI-9730	Wire Guard Damage Stopper®
STI-9708	Horn/Strobe/Speaker Damage Stopper - Surface	STI-9796	Outdoor Light Damage Stopper®
STI-9711	Horn/Strobe/Speaker Damage Stopper - Flush	STI-9880	Fluorescent Lighting Damage Stopper® - Small
STI-9714	Horn/Strobe/Speaker Damage Stopper - Surface	STI-9881	Fluorescent Lighting Damage Stopper® - Large
STI-9717	Speaker/Strobe Damage Stopper® - Flush		



STI-9705



STI-9796



STI-9880

BEAM SMOKE DETECTORS

STI-9623	For DS240 and DS241
STI-9624	For Fireray 50/100R
STI-9625	For System Sensor Beam Smoke Detector 6424
STI-9706	Flush Mount
STI-9707	Surface Mount



STI-9624



STI-9625

CLOCK/BELL WIRE CAGES

STI-9631	10.5" Diameter
STI-9631-SS	10.5" Diameter - Stainless Steel
STI-9631-R	10.5" Diameter - Red
STI-9632	16.5 Diameter
STI-9632-SS	16.5 Diameter - Stainless Steel
STI-9633	20" Diameter



STI-9632

BAY LIGHT WIRE CAGES

STI-9702	For Hubbell® Superbay Lights - 21.43 x 22.50"
STI-9709	For Hubbell® Superbay Lights - 24.5 x 26"



STI-9702

BEACON & SOUNDER CAGES

STI-9614	7.9 x 6"
STI-9615	3.7 x 3.5"
STI-9617	5.9 x 4.9"
STI-9664	3.86 x 6.18"
STI-9665	7 x 8.43"



STI-9615



STI-9664