



Installation Instructions for WB-1 Detector Adapter Base Enclosure for Humid Environments

For use with Base Models: B401, B401R, B401SD, B401RSD, and B501

General Description

Because excessive humidity may cause nuisance alarms, installation of smoke detectors in very humid environments should be avoided, if possible. However, code regulations often require detectors in public facilities where humidity is a problem, such as locker rooms in schools, spas, and sports facilities.

For such environments, System Sensor has developed a molded plastic enclosure kit for detector adapter bases that minimizes the effect of condensation on the detectors equipped with it. The enclosure is designed to accommodate 18.6mm conduit, using either a gland fitted into the knock out/drill out holes, or a plastic/rubber grommet - depending on installation requirements. The top has a center knock out/drill out hole for a pendant mounting, while four knock out/drill out hole are placed in the side of the enclosure if side connection is required for surface mounting.

For surface mounting, side tabs are provided so the enclosure can be screwed or bolted directly to the ceiling surface. A side conduit connection can be used. For pendant mounting, the enclosure and the detector can be suspended directly from a centre conduit connection.

Instructions for Surface Mounting

Surface mounting of the adapter base enclosure is shown in Figure 1.

1. Drill hole(s) as required for conduit connector(s) - glands (not supplied) or grommets (supplied).
2. Mount adapter to surface with appropriate screws through mounting tabs on sides of adapter base enclosure.
3. Install wiring and conduit connector(s) through side hole(s).
4. Connect wiring to the detector adapter base following the instructions supplied in the Installation Instructions for the Detector Adapter Base.
5. Mount the Detector Adapter Base in the WB-1 Enclosure using the two (2) self-threading (thread-forming) screws supplied with the WB-1 kit.
6. Install the detector head and test it using the procedure in the installation instructions supplied with it.

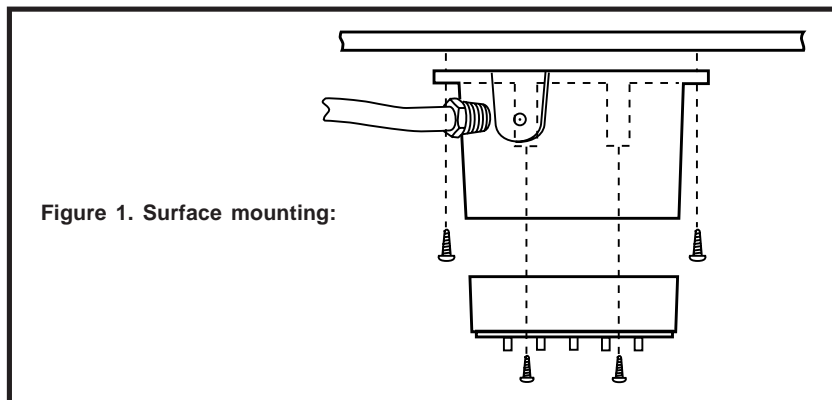


Figure 1. Surface mounting:

Instructions for Pendant Mounting

Pendant mounting of the adapter base enclosure is shown in Figure 2.

1. Punch out knockout in center of top (flat) surface of enclosure.
2. Install wiring and connectors - glands (not supplied) or grommets (supplied) through center knock-out hole.
3. Connect wiring to the detector adapter base following the Installation Instructions for the Detector Adapter Bases.
4. Mount the Detector Adapter Base in the WB-1 Enclosure using the two (2) self-threading (thread-forming) screws supplied with the WB-1 kit.
5. Install the detector head and test it using the procedure in the installation instructions supplied with it.

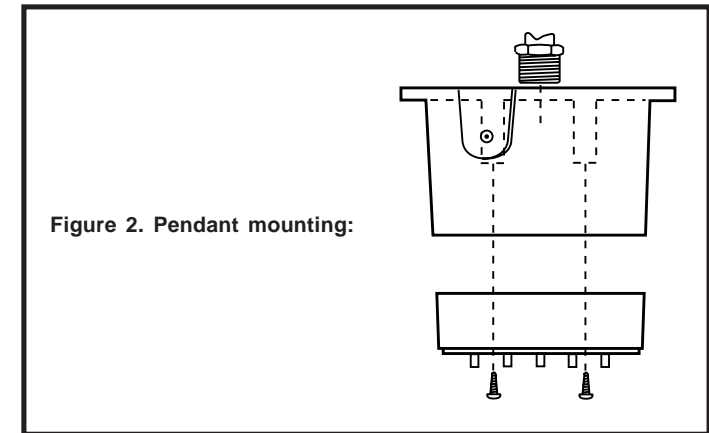


Figure 2. Pendant mounting:

Note: Examples show installation using glands. The supplied rubber/plastic grommets can also be fitted into the holes as an alternative method of installation.