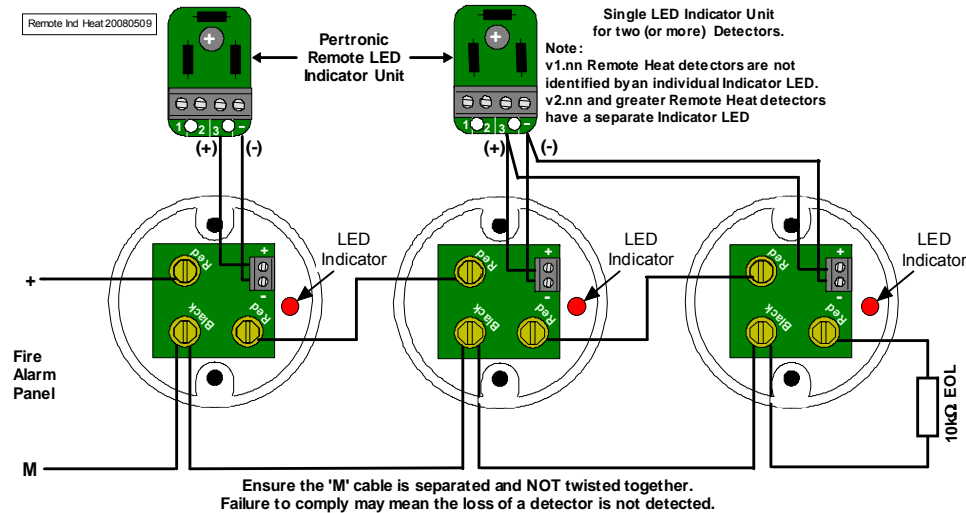




4. Detector Connections - Non-Encapsulated, Remote LED Indicator:



Remote LED Indicator:



Product Codes:

Description	Standard	Encapsulated	Remote Kit	Remote LED
Indicating Heat Detector, Blue : 57°C	IHDB-3	IHDBE-3	IHDBEK-3	IHDBR
Indicating Heat Detector, Yellow : 77°C	IHDY-3	IHDYE-3	IHDYEK-3	IHDYR
Indicating Heat Detector Kit, Green : 93°C			IHDGEK-3	
Indicating Heat Detector Kit, Black : 125°C			IHDBKEK-3	
Remote LED Indicating Unit				DETREM

Overview:

- The Pertronic Indicating Heat Detector is available in a variety of configurations:
 - Standard: for standard installations.
 - Encapsulated: for high humidity environments, as under eaves, parking buildings, bathroom, etc.
 - Remote Kit: for extreme environments where the Heat Sensor and Indicator Unit are located separately—refer to brochure '0721-Indicating Heat Detector Kits'.
 - Remote LED Indicator: for ceiling voids—refer to brochure '0722-Indicating Heat Detector-Remote LED'.

Features:

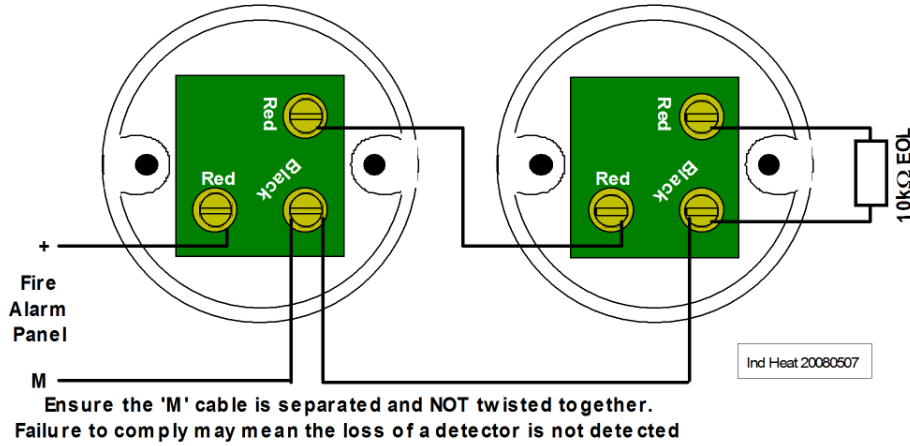
- Fast response fixed temperature Fire Alarm Heat Detector, protected against false activation caused by vibration or other transient impulses.
- Fully complies with NZS4512:2003.
- Brass terminals accept up to 1.5mm² cable.
- Bi-directional circuit connection terminals. Either 'Red' terminal may be connected to the fire panel.
- Red LED indication latches on activation of the thermo-mechanical sensor element. The LED is reset by de-powering the detector.
- The detector clamps the circuit voltage at 2.3V.
- Compatible with 12V Bell reversal of 2-Wire (F4-2W and F1-2W) panels - requires a steering diode to be fitted across the Red terminals.
- For standard (not 2-Wire) panels, reversal of the IHD causes a High Defect.
- The Datum Level depends upon the number of detectors on the circuit and the number of detectors reversed.

Compatibility:

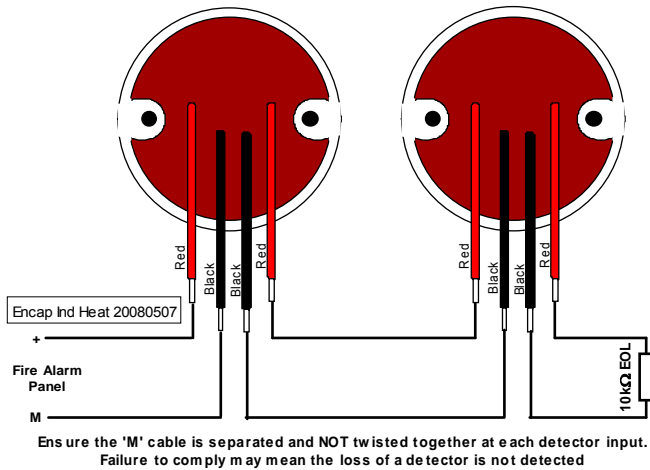
Indicating Heat Detectors are compatible with the following products:

Product	Detector Hardware Version	Panel Software Version	Release Date
F1	v1.0 & above	v2.3 & above	November 2003
F1-2W	v6.0 & above	V9.04 & above	March 2007
F4	v1.0 & above	v2.26 & above	November 2003
F4-2W	v6.0 & above	V9.0 & above	March 2007
F16	v1.0 & above	v7.0 & above	November 2003
F16e	v1.0 & above	v1.10N & above	June 2004
Loop Responder	v1.0 & above	v3.00N & above	May 2004

1. Detector Connections - Non-Encapsulated:



2. Detector Connections - Encapsulated:



3. Detector Connections - Indicating Heat Detector Kit:

Overview:

- Pertronic Indicating Heat Detector Kits are available in a variety of temperature settings to allow placement in very low or very high temperature environments.

Encapsulated Heat Sensor Unit:

- Available in four temperature settings:
 - Blue: encapsulated 57°C thermo-mechanical sensor element
 - Yellow: encapsulated 77°C thermo-mechanical sensor element
 - Green: encapsulated 93°C thermo-mechanical sensor element
 - Black: encapsulated 125°C thermo-mechanical sensor element
- Fire rated cable connection to Alarm Indication Unit

Alarm Indication Unit:

- Terminals accept up to 1.5mm² cable.
- Bi-directional circuit connection terminals. Either 'Red' terminal may be connected to the fire panel.
- Red LED indication latches on activation of the thermo-mechanical sensor element. The LED is reset by de-powering the detector.
- Note: the Alarm Indication Unit must be installed remotely from the Encapsulated Heat Sensor Unit.**

