

# Indicating Heat Detector

## with 'Remote LED' Output (V series)

### Head Office

#### Wellington

PO Box 35-063  
Naenae  
Lower Hutt 5041  
17 Eastern Hutt Rd  
Wingate  
Lower Hutt 5019  
Tel (04) 567-3229  
Fax (04) 567-3644

www.pertronic.co.nz

sales@pertronic.co.nz  
tech@pertronic.co.nz

#### Auckland Office

PO Box 15-867  
New Lynn  
Auckland 0640  
359 Onehunga Mall  
Onehunga  
Auckland 1061  
Tel (09) 633-0226  
Fax (09) 633-0228



ISO 9001: 2000

International  
Standards  
Certifications  
QAC/R61/0051

### Product Overview:

The Pertronic Indicating Heat Detector is a stylish NZS 4512:2003 and NZS4512:2010 compliant fixed temperature heat detector with remote LED output terminals. Available in two temperature ranges (Blue: 57°C and Yellow: 77°C).

- ▶ Fast response, fixed temperature Fire Alarm Heat Detector.
- ▶ Protected against false activation caused by vibration or other transient impulses.
- ▶ Complies fully with NZS4512:2003 and NZS 4512:2010.
- ▶ Terminals accept up to 1.5mm<sup>2</sup> cable.
- ▶ Bi-directional circuit connection terminals.
  - either of the 'Red' terminals may be connected to the fire panel.
- ▶ Vertically mounted PCB with protective cover for improved resistance against condensation and water damage.
- ▶ Red LED indication: the LED latches ON when the thermo-mechanical sensor element activates. De-powering the heat detector resets the LED.
- ▶ Alarm condition clamps the circuit voltage to 2.2V.
- ▶ Integral reverse polarity yellow LED for easy detection of wiring faults.
- ▶ Reverse polarity connection causes "Hi Defect" fault warning on Pertronic panels.
- ▶ The Remote LED (DETREM) is compatible with System Sensor detector remote outputs.



**IHDBR-V**  
(Front View)



**IHDBR-V**  
(Rear View)



**DETERM**  
(Remote LED indicator)

Specification:				
<b>Electrical:</b>	<b>Operating Voltage</b> 12 to 24Vdc	<b>Quiescent Current</b> 0.01 mA	<b>Alarm Current</b> panel must limit to less than 25mA	
<b>Environmental:</b>	<b>Operating Temperature Range</b> 0 to +80°C		<b>Humidity (non-condensing)</b> 10 to 90% RH	
<b>Mechanical:</b>	<b>Dimension (Diam x Height mm)</b>	<b>Weight</b>	<b>Material</b>	<b>Colour</b>
- Heat Detector	66 x 36	50 gms	Polycarbonate	White
- Remote LED	66 x 5	10 gms	Polycarbonate	White

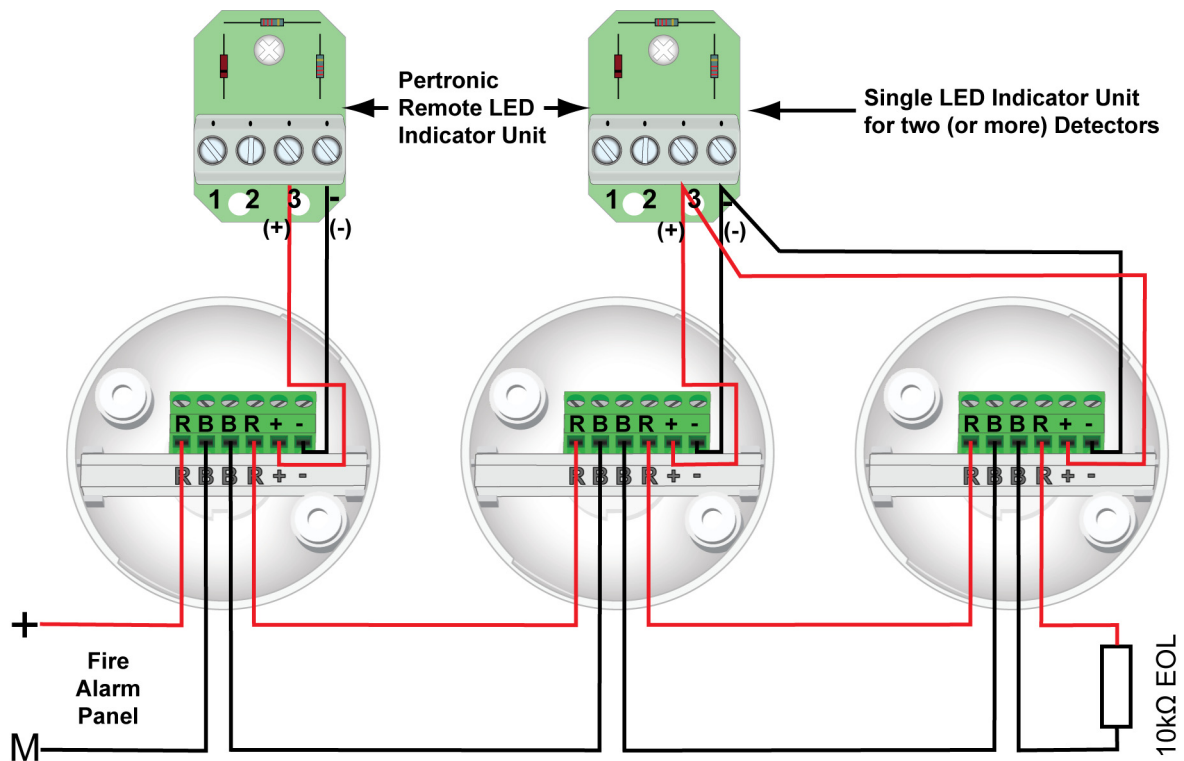
### Operation:

- ▶ The Remote LED Indicator Unit latches ON when the thermo-mechanical sensor element activates.

### IMPORTANT NOTES

- 1) Only the Pertronic Heat Detector with remote LED output supports the Pertronic remote LED Indicator DETREM Unit.
- 2) The standard Indicating Heat Detector does NOT support the remote LED Indicator DETREM Unit

## Remote Indicator Heat Detector Connections:



<b>Compatibility:</b>		Indicating Heat Detectors are compatible with the following products:		
<b>Product</b>	<b>Detector Hardware Version</b>	<b>Panel Software Version</b>	<b>Release Date</b>	
F1	v2.6 & above	v2.3 & above	November 2003	
F1-2W	v2.6 & above	v9.04 & above	March 2007	
F4	v2.6 & above	v2.26 & above	November 2003	
F4-2W	v2.6 & above	v9.0 & above	March 2007	
F16	v2.6 & above	v7.0 & above	November 2003	
F16e	v2.6 & above	v1.10N & above	June 2004	
Loop Responder	v2.6 & above	v3.00N & above	May 2004	
Apartment Module	v2.6 & above	v1.0 & above	Nov 2006	

## Product Codes

<b>Code</b>	<b>Description</b>	<b>NZFPA Listing No.</b>
IHDBR-V	Remote LED Indicating Heat Detector, Blue : 57°C	PI/240
IHDYR-V	Remote LED Indicating Heat Detector, Yellow : 77°C	PI/241
DETREM	Remote LED Indicating Unit	

Registered Design No.413539

## PERTRONIC INDUSTRIES LTD

### Head Office:

17 Eastern Hutt Rd, Wingate, Lower Hutt 5019  
Telephone (04) 567-3229 Fax (04) 567-3644

www.pertronic.co.nz  
sales@pertronic.co.nz  
tech@pertronic.co.nz

### Auckland Office:

359 Onehunga Mall, Onehunga, Auckland 1061  
Telephone (09) 633-0226 Fax (09) 633-0228

'Pertronic' and 'Firetronix' are registered trademarks of Pertronic Industries Ltd