

PERTRONIC INDUSTRIES LTD

8-Way Common Relay Board Installation Note



Overview:

The **8-Way Common Relay Board** may be used with **F100A**, **F120A** and **F16e** panels, where clean contacts are required instead of open-collector outputs.

The board contains 8 single-pole changeover (form C) relays, each of which is operated from the panel's open-collector output.

The relay outputs may be isolated due to 'AUXM Isolate' or 'Bell Isolate', using inputs provided from the panel's 'AUXM' and 'BELL' outputs. Each relay has three jumper links (+, A, W) provided to select the desired mode. **NOTE:** Only **ONE** jumper can be inserted at a time for each relay.

A 10-pin IDC connector connects the relay board to the fire alarm panel's open-collector output.

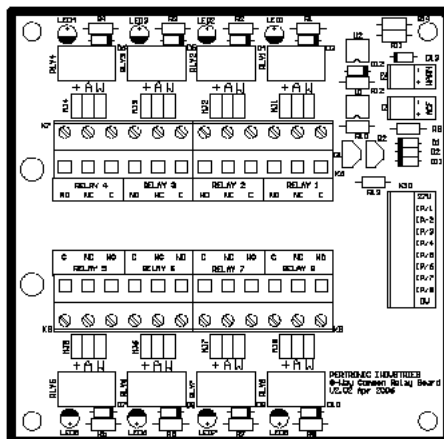
The relay contact connectors accept flexible stranded wire up to 1.5 mm² (2.5 mm² solid).

To reduce wiring congestion, the connectors on the PCB have been arranged so that the wiring loom flows from the edge of the board, to the centre and out to the connectors. Two holes are provided for cable ties to secure the loom.

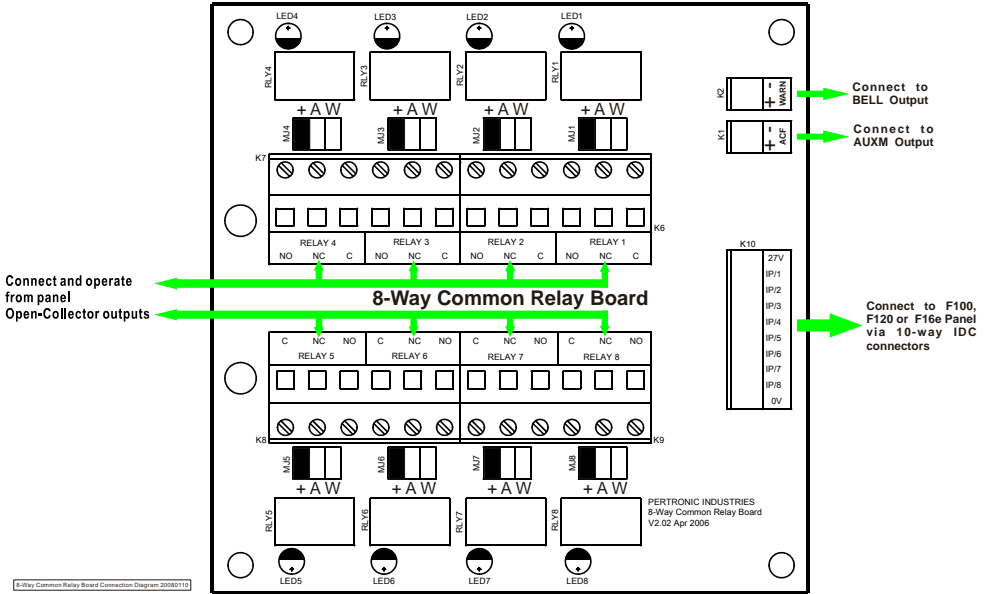
Specifications:

Dimensions:	93 x 92	W x H mm
Mounting Holes:	86.5 x 85	W x H mm
Operating Voltage	18 Vdc to 30 Vdc	
Operating Current:	8.5 mA per energized relay @ 27.4 Vdc	
10-Way Connector (K10) Pin-Out:	Pin 1:	+27.4 VDC
	Pins 2-9:	Open-Collectors 1-8
	Pin 10:	0V
2-Way Connector (K1) Pin-Out:	Pin 1:	AUXM –
	Pin 2:	AUXM +
2-Way Connector (K2) Pin-Out:	Pin 1:	BELL1 – or BELL2 –
	Pin 2:	BELL1 + or BELL2 +
Relay Contacts:	1A @ 30 Vdc,	resistive load, single form C

Diagram:

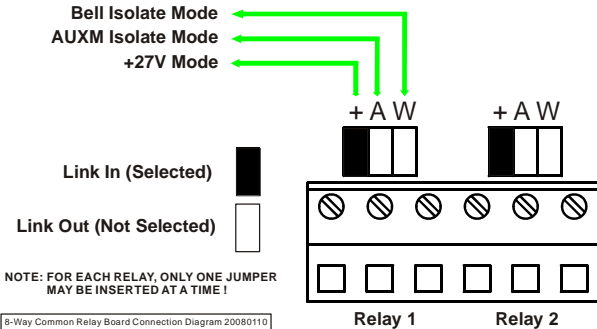


Connection Diagram:



8-Way Common Relay Board Connection Diagram 20080110

Links:



Open-Collector Link	OFF	ON				ON				ON			
	+/A/W	+				A				W			
Bell Relay	OFF/ON	OFF	ON	OFF	ON	OFF	ON	OFF	ON	OFF	ON	OFF	ON
AUXM Relay	OFF/ON	OFF	OFF	ON	ON	OFF	OFF	ON	ON	OFF	OFF	ON	ON
Relay Output	OFF	ON	ON	ON	ON	OFF	OFF	ON	ON	OFF	ON	OFF	ON

Note: When the **A** or **W** link is selected, operation of the relay requires the appropriate AUXM or BELL relay to operate at the panel.

Ordering Information:

Product Code	Description
8WCOMR	8 Way Common Relay Board